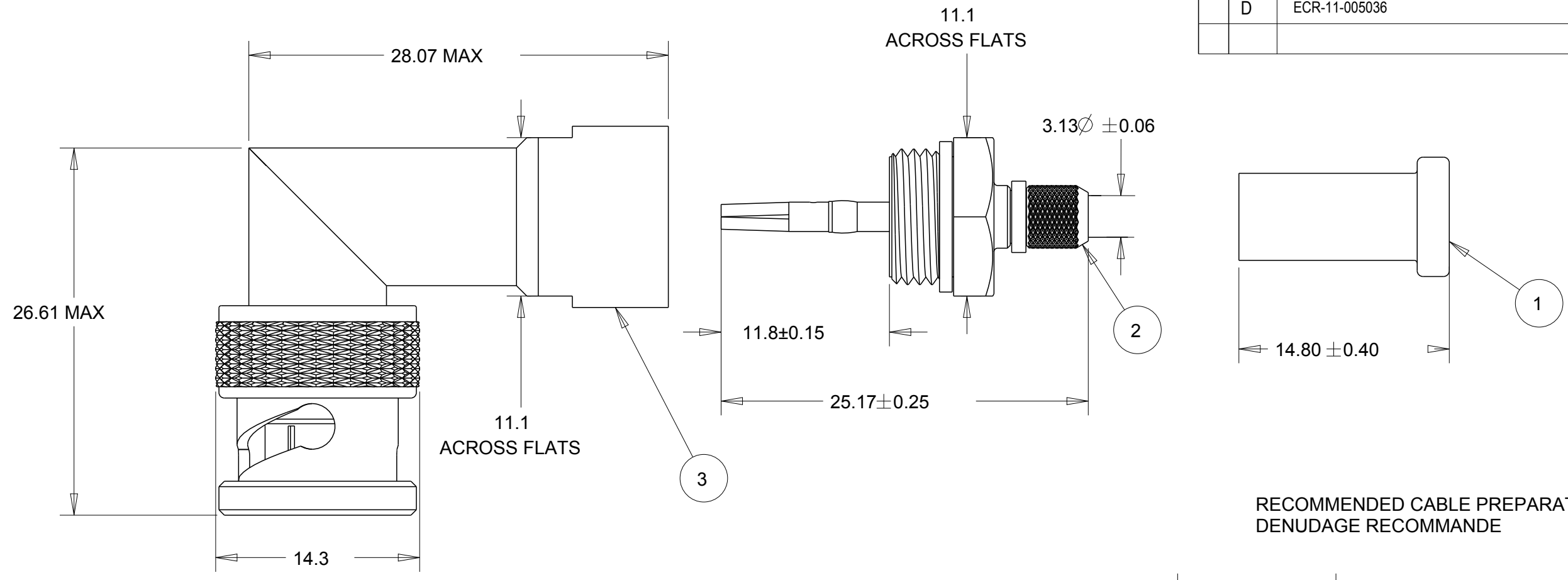
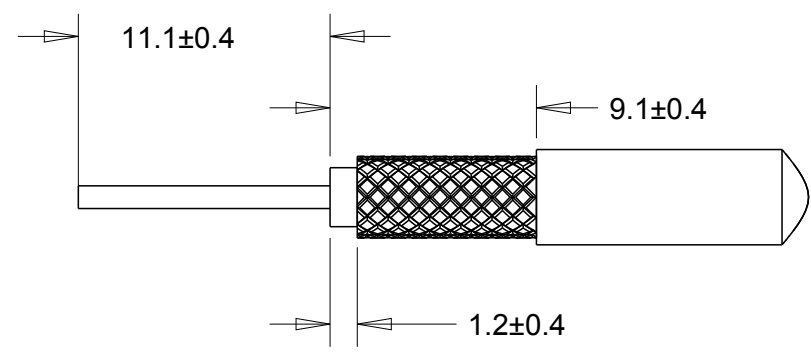


THIS DRAWING IS UNPUBLISHED. RELEASED FOR PUBLICATION 20
 © COPYRIGHT 20 BY TYCO ELECTRONICS CORPORATION. ALL RIGHTS RESERVED.

LOC	DIST	REVISIONS			
P	LTR	DESCRIPTION	DATE	DWN	APVD
	B	ECR-06-018103	26JUL2006	MJG	JA
	C	ECR-10-007894	12/04/10	MJG	JA
	D	ECR-11-005036	27/07/11	MJG	JA



RECOMMENDED CABLE PREPARATION
DENUDAGE RECOMMANDE



- NOTES:
- FOR USE WITH RG-400U KX23 CABLE
UTILISER AVEC CABLE RG-400U KX23
 - CRIMP WITH HAND TOOL Pt No 69376-2 OR 69710 + INSET 69814
PINCE A SERTIR REF: 69376-2 ou 69710 + MATRICE 69814
 - INSTRUCTION SHEET 408-1799-5
INSTRUCTION DE SERTISSAGE: 408-1799-5

DESCRIPTION	PART NO	ITEM
BNC PLUG ASSY RIGHT ANGLE	330797-0	3
JACK CRIMP END	1236007-1	2
FERRULE	1-330927-0	1

<small>THIS DRAWING IS A CONTROLLED DOCUMENT FOR TYCO ELECTRONICS CORPORATION IT IS SUBJECT TO CHANGE AND THE CONTROLLING ENGINEERING ORGANIZATION SHOULD BE CONTACTED FOR THE LATEST REVISION.</small>		DWN 26JUL2006 M. GREENER CHK 26JUL2006 J. AMBROSE APVD 26JUL2006 J. AMBROSE PRODUCT SPEC 108-12002 APPLICATION SPEC		Tyco Electronics Bideford, Devon EX39 2NY	
DIMENSIONS: mm 		TOLERANCES UNLESS OTHERWISE SPECIFIED: 0 PLC ± 1 PLC ±0.3 2 PLC ±0.3 3 PLC ±0.3 4 PLC ± ANGLES ±1 FINISH		NAME BNC SERIES RIGHT ANGLE PLUG SINGLE CRIMP	
MATERIAL SEE TABLE		WEIGHT		SIZE A3	CAGE CODE 00779
		CUSTOMER DRAWING		DRAWING NO C-1236009	RESTRICTED TO
		SCALE NTS		SHEET 1 OF 1	REV D

单击下面可查看定价，库存，交付和生命周期等信息

[>>TE Connectivity\(泰科\)](#)