

THIS DRAWING IS UNPUBLISHED.  
PLANO NO PUBLICADO

RELEASED FOR PUBLICATION  
LIBRE DE SER PUBLICADO

© COPYRIGHT 1996

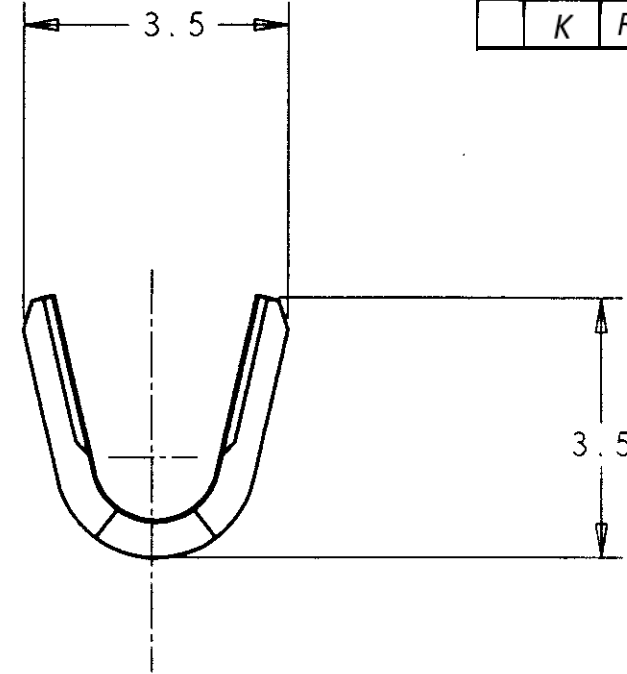
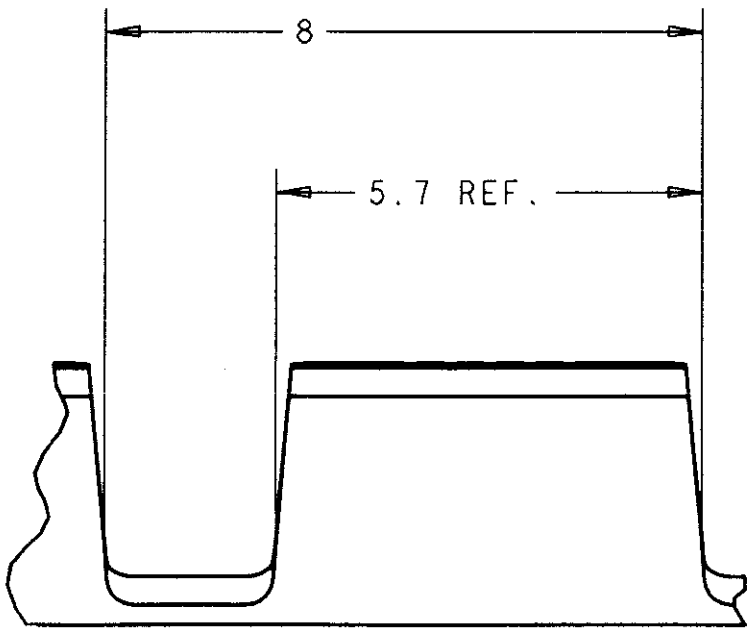
BY AMP INCORPORATED.

ALL RIGHTS RESERVED. TODOS LOS DERECHOS RESERVADOS.  
LOS PRODUCTOS AMP ESTAN CUBIERTOS POR PATENTES ACTUALES O PENDIENTES

LOC AL  
DIST 2

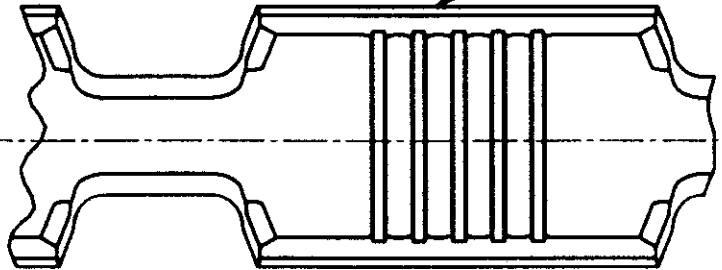
REVISIONS  
REVISIONES

| F | LTR | DESCRIPTION<br>DESCRIPCION          | DATE<br>FECHA | DWN<br>DIB | APVD<br>APR |
|---|-----|-------------------------------------|---------------|------------|-------------|
| G |     | REVISADO POR ES00-0007-96           | 20FEB96       | JL         | LB          |
| H |     | AÑADIDO GUIONES 1-1Y1-2 (ES00-0021) | 23ABR97       | JL         |             |
| J |     | ES00-0023-99                        | 5-1-00        | J.C.       |             |
| K |     | REVISE PER ECR-13-013738            | 15FEB2014     | GRZ        | JL          |



SCALE 2:1

5 RANURAS AMPLIVAR  
5 AMPLIVAR SERRATIONS



|          |              |             |           |
|----------|--------------|-------------|-----------|
| OBSOLETE | TIN/ESTAÑADO | BRASS/LATON | 1-42778-2 |
| OBSOLETE | ---          | BRASS LATON | 1-42778-1 |
|          | TIN/ESTAÑADO | BRASS/LATON | 42778-2   |
|          | -----        | BRASS/LATON | 42778-1   |
|          | FINISH       | MATERIAL    | PART N°   |

|  |  |  |  |                                   |
|--|--|--|--|-----------------------------------|
| <small>THIS DRAWING IS A CONTROLLED DOCUMENT FOR AMP INCORPORATED. IT IS SUBJECT TO CHANGE AND THE CONTROLLING ENGINEERING ORGANIZATION SHOULD BE CONTACTED FOR THE LATEST REVISION. ESTE PLANO ES UN DOCUMENTO CONTROLADO DE AMP INCORPORATED Y PUEDE SER MODIFICADO PARA LA ULTIMA REVISION. CONTACTAR CON LA ORGANIZACION DE CONTROL DE INGENIERIA.</small> |  | DWN/DIB<br>J. LAZARO<br>20-FEB-96                | <b>AMP</b> AMP Espanola S.A.<br>Barcelona, Spain.                                  |                                   |
| DIMENSIONS:<br>DIMENSIONES<br>MM   |  | CHK/COMP<br>L. BATLLO<br>20-FEB-96               | NAME<br>TITULO<br>AMPLIVAR SLICE 5 SERRATIONS<br>AMPLIVAR 5 RANURAS (600-3000 CMA) |                                   |
|  |  | APVD/APR<br>L. BATLLO<br>20-FEB-96               | SIZE<br>TAM<br>A3  | DRAWING NO<br>PLANO NO<br>C-42778 |
| TOLERANCES UNLESS OTHERWISE SPECIFIED:<br>TOLERANCIAS POR OMISION<br>0 PLC /LUG ±<br>1 PLC /LUG ±0.3<br>2 PLC /LUG ±0.3<br>3 PLC /LUG ±0.<br>4 PLC /LUG ±0.<br>ANGLES /ANGULOS ±   |  | PRODUCT SPEC<br>ESPEC PRODUCTO<br>108-22039      | CAGE CODE<br>CODIGO<br>00779   | SHEET<br>HOJA<br>1 OF<br>DE 1     |
| MATERIAL SEE TABLE<br>THK. 0.50 mm<br>ESPESSOR 0.50 mm   |  | APPLICATION SPEC<br>ESPEC APLICACION<br>114-2008 | WEIGHT<br>PESO<br>-  | REV K                             |
| FINISH<br>ACABADO SEE TABLE  |  | CUSTOMER DRAWING /PLANO DE CLIENTE               |  | SCALE<br>ESCALA 0:1               |

单击下面可查看定价，库存，交付和生命周期等信息

[>>TE Connectivity\(泰科\)](#)