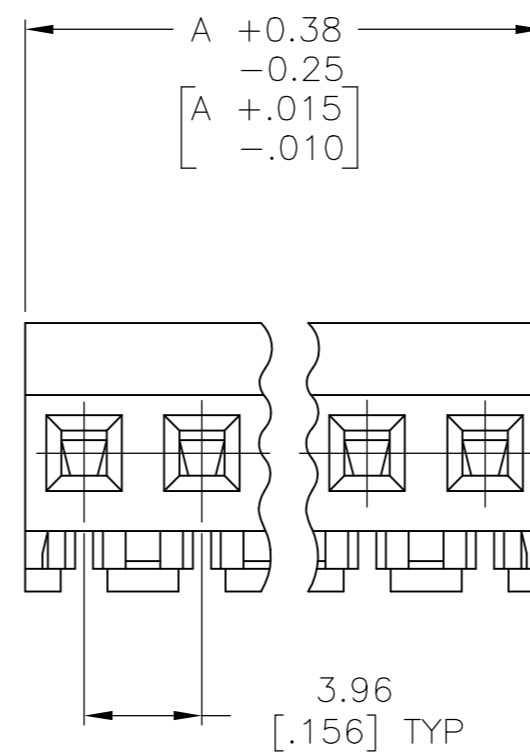
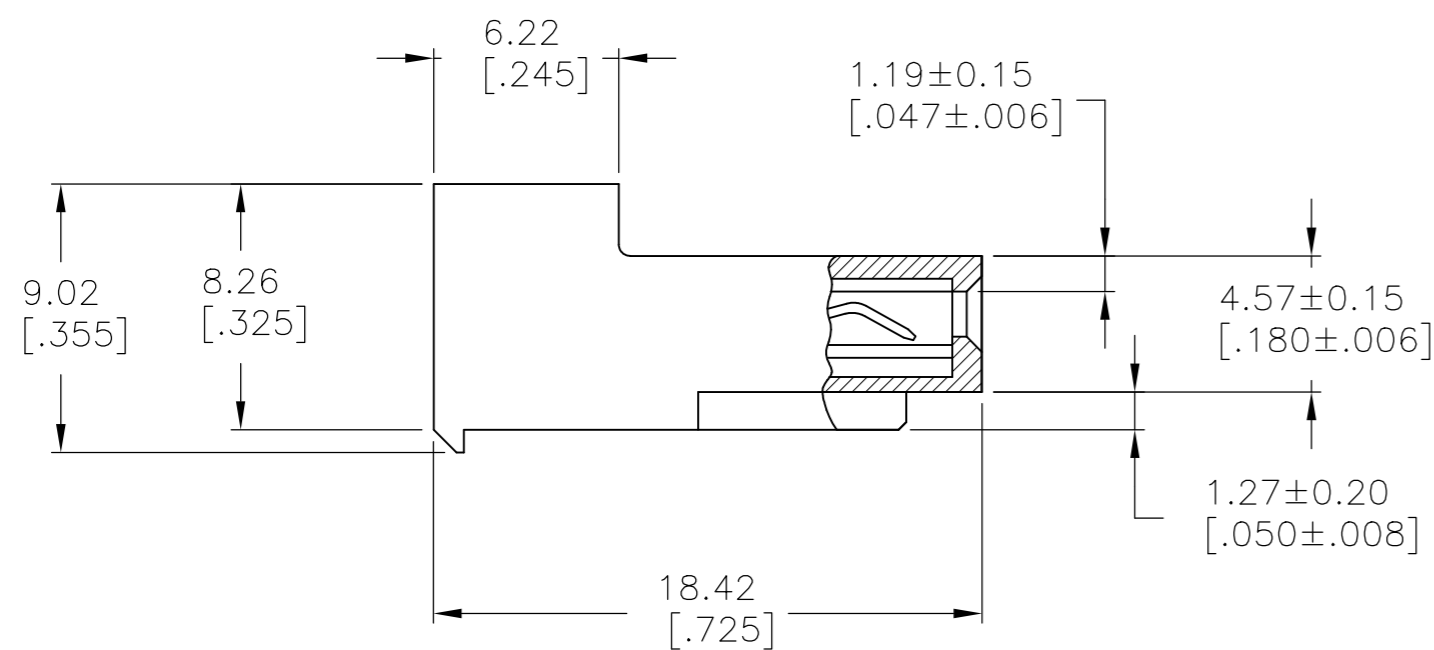
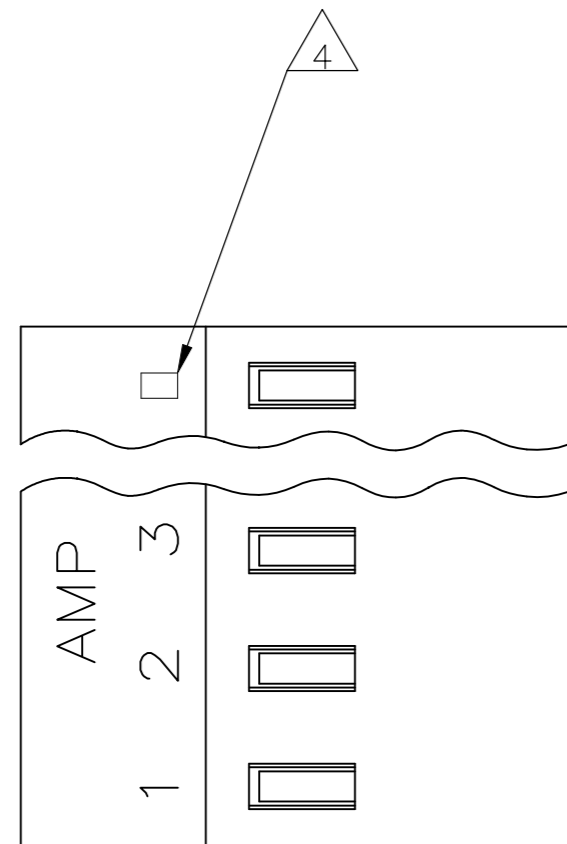


THIS DRAWING IS UNPUBLISHED. RELEASED FOR PUBLICATION -.-
 © COPYRIGHT - TE Connectivity Ltd. ALL RIGHTS RESERVED.

| REVISIONS | | | | | |
|-----------|-----|---------------------------|-----------|-----|------|
| P | LTR | DESCRIPTION | DATE | DWN | APVD |
| | D2 | REVISED PER ECR-17-018283 | 07FEB2018 | BDA | SG |



- 1 MATERIAL: CONNECTOR - NYLON UL94V-0 (BLACK).
CONTACTS - 0.30[.012] THICK COPPER ALLOY (BRIGHT-TIN LEAD 0.00203 [.000080] MIN THK FOR CONTACTS 644501-2 THRU 1-644501-2, MATTE WHISKER MITIGATED TIN 0.00203 (.000080) MIN THICKNESS OVER NICKEL UNDERPLATE FOR 3-644501-2 THRU 4-644501-2)
- 2. CONTACTS ACCEPT 22 AWG WIRE WITH 2.41[.095] MAX INSULATION DIAMETER.
- 3. CONTACTS MUST ACCEPT 1.14±0.03[.045±.001] SQUARE POST AND REMAIN LOCKED IN POSITION.
- 4 IDENTIFICATION NUMBER FOR LAST CIRCUIT MAY NOT APPEAR ON ALL ASSEMBLIES.
- 5. DIMENSIONS IN BRACKETS ARE IN INCHES.
- 6. HOUSING FEATURES ARE: CLOSED END WITHOUT LOCKING RAMP.
- 7 OBSOLETE PARTS: OBSOLETE CIS STREAMLINING PER D.RENAUD/D.SINISI
- 8 OBSOLETE PARTS

| | | |
|--------------------------|---------------|-----------------------|
| 47.55 [1.872] | 12 | 4-644501-2 |
| 43.59 [1.716] | 11 | 4-644501-1 |
| 39.62 [1.560] | 10 | 4-644501-0 |
| 35.66 [1.404] | 9 | 3-644501-9 |
| 31.70 [1.248] | 8 | 3-644501-8 |
| 27.74 [1.092] | 7 | 3-644501-7 |
| 23.77 [.936] | 6 | 3-644501-6 |
| 19.81 [.780] | 5 | 3-644501-5 |
| 15.85 [.624] | 4 | 3-644501-4 |
| 11.89 [.468] | 3 | 3-644501-3 |
| 7.92 [.312] | 2 | 3-644501-2 |
| 47.55 [1.872] | 12 | 1-644501-2 |
| 43.59 [1.716] | 11 | 1-644501-1 |
| 39.62 [1.560] | 10 | 1-644501-0 |
| 35.66 [1.404] | 9 | 644501-9 |
| 31.70 [1.248] | 8 | 644501-8 |
| 27.74 [1.092] | 7 | 644501-7 |
| 23.77 [.936] | 6 | 644501-6 |
| 19.81 [.780] | 5 | 644501-5 |
| 15.85 [.624] | 4 | 644501-4 |
| 11.89 [.468] | 3 | 644501-3 |
| 7.92 [.312] | 2 | 644501-2 |
| DIM A | | NO. OF CIRCUITS |
| | | PART NO. |

7 SUPERSEDED
 7 SUPERSEDED
 8 SUPERSEDED
 7 SUPERSEDED

| | | | | | |
|---|--|-----------------------------|--|--------------------|----------------------|
| THIS DRAWING IS A CONTROLLED DOCUMENT. | | DWN B. LEWIS 12FEB91 | STE TE Connectivity Ltd. | | |
| DIMENSIONS: mm [INCHES] | | CHK R. SWING 12FEB91 | | | |
| TOLERANCES UNLESS OTHERWISE SPECIFIED: | | APVD D. CLARK 20FEB91 | NAME MTA 156 CONNECTOR ASSEMBLY, 22 AWG,UL94V-0, SPECIAL | | |
| 0 PLC ± - 1 PLC ± - 2 PLC ± - 3 PLC ± - 4 PLC ± - ANGLES ± - | | PRODUCT SPEC 108-1051 | SIZE A2 | | |
| MATERIAL 1 | | FINISH 1 | APPLICATION SPEC 114-1020 | CAGE CODE 00779 | DRAWING NO 644501 |
| | | WEIGHT | CUSTOMER DRAWING | SCALE 4:1 | SHEET 1 of 1 |
| | | | | RESTRICTED TO | REV D2 |

单击下面可查看定价，库存，交付和生命周期等信息

[>>TE Connectivity\(泰科\)](#)