

THIS DRAWING IS UNPUBLISHED.

RELEASED FOR PUBLICATION

ALL RIGHTS RESERVED.

© COPYRIGHT - By -

LOC
FT

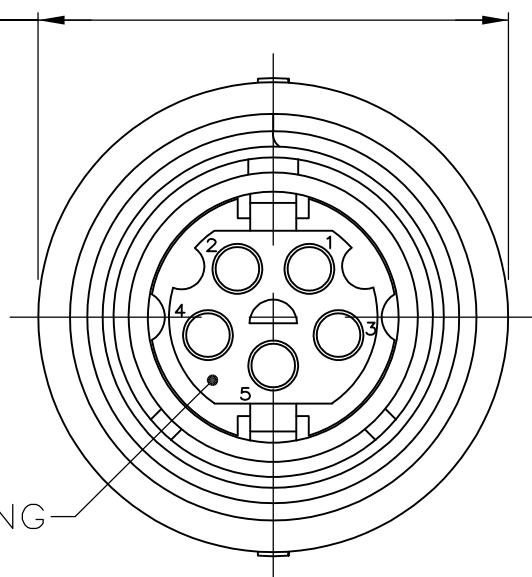
DIST
0

REVISIONS

P	LTR	DESCRIPTION	DATE	DWN	APVD
	J2	REVISED PER ECO-11-005027	12MAR11	RK	HMR

31.12±0.38 DIA
[1.225±.015]

SOCKET HOUSING

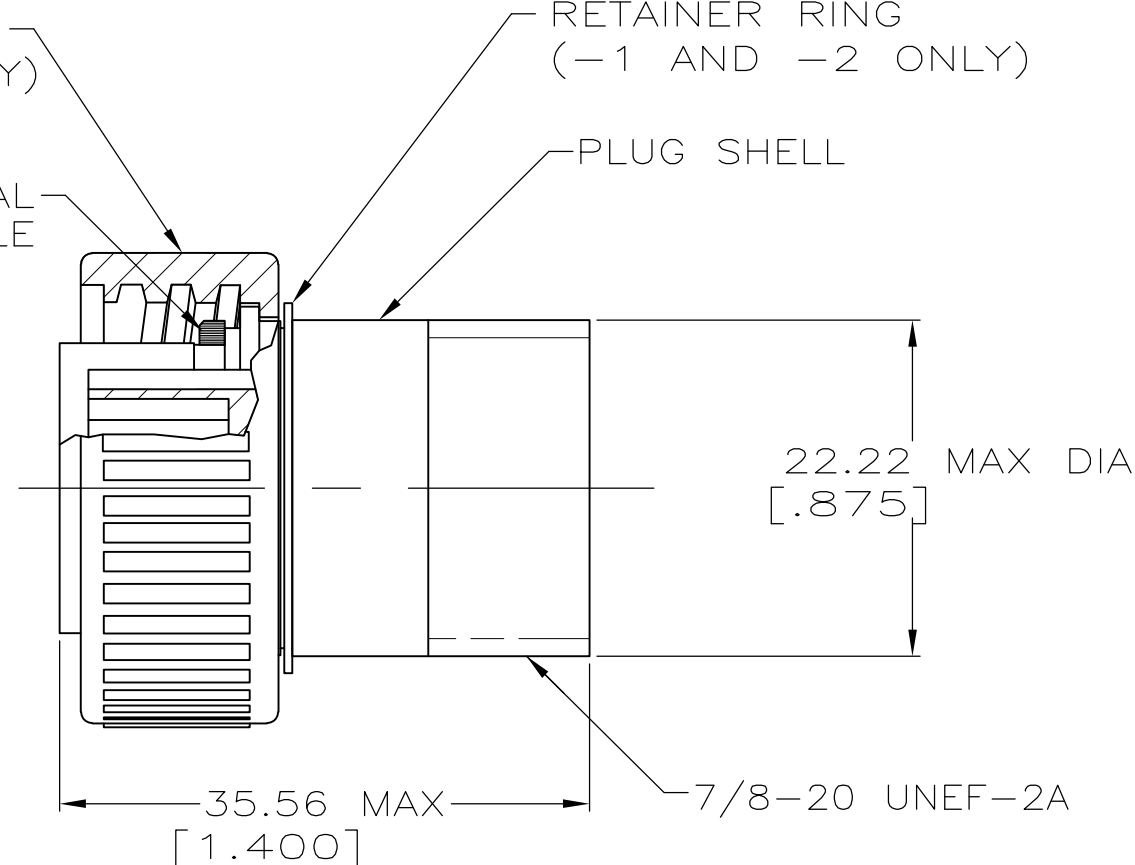


COUPLING RING
(-1 AND -2 ONLY)

RETAINER RING
(-1 AND -2 ONLY)

SEAL
SEE TABLE

PLUG SHELL



NOTES:

- THIS CONNECTOR ACCEPTS FIVE (5) SIZE 16 MULTIMATE SOCKET CONTACTS, MAXIMUM WIRE INSULATION DIA = 3.43[.135].
- THIS CONNECTOR MATES WITH AMP P/N 208719-1.
- AMP P/N AND DATE CODE TO BE LOCATED ON COUPLING RING.

4 NICKEL PER QQ-N-290 OVER COPPER PER MIL-C-14550.

5 ZINC PER QQ-Z-363.

6 OBSOLETE PARTS: OBSOLETE CIS STREAMLINING PER D.RENAUD/D.SINISI

6 OBSOLETE	NO	NO	NO	208718-3
	YES	YES	YES	208718-2
	YES	YES	NO	208718-1
	RETAINER RING	COUPLING RING	SEAL	PART NUMBER

THIS DRAWING IS A CONTROLLED DOCUMENT.		DWN D.HARDY 05/23/94	TE Connectivity PLUG ASSEMBLY, STANDARD SEX, SERIES 1, 14-5, CMC			
DIMENSIONS: INCHES		CHK R.STONE 05/26/94				
TOLERANCES UNLESS OTHERWISE SPECIFIED:		APVD -	NAME			
0 PLC ± - 1 PLC ± - 2 PLC ± - 3 PLC ± - 4 PLC ± - ANGLES ± -		PRODUCT SPEC -	APPLICATION SPEC -			
MATERIAL SKT HOUSING: THERMOPLASTIC, BLACK SEAL: FLUROCARBON, ELASTOMER RTNR RING: STAINLESS STEEL CPLG RING: PLUG SHELL:		WEIGHT -	SIZE A3	CAGE CODE 00779	DRAWING NO C-208718	RESTRICTED TO -
CUSTOMER DRAWING			SCALE 2:1	SHEET 1 OF 1	REV J2	

单击下面可查看定价，库存，交付和生命周期等信息

[>>TE Connectivity\(泰科\)](#)