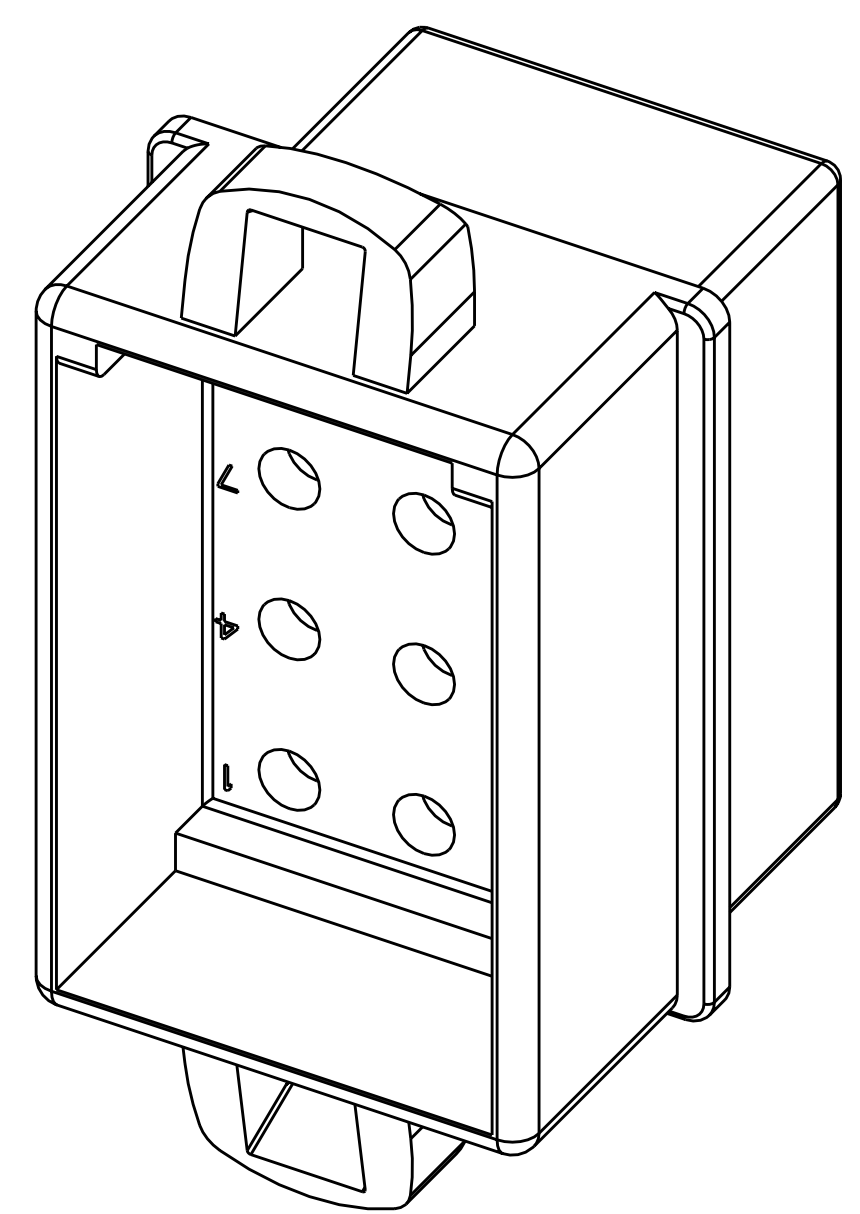
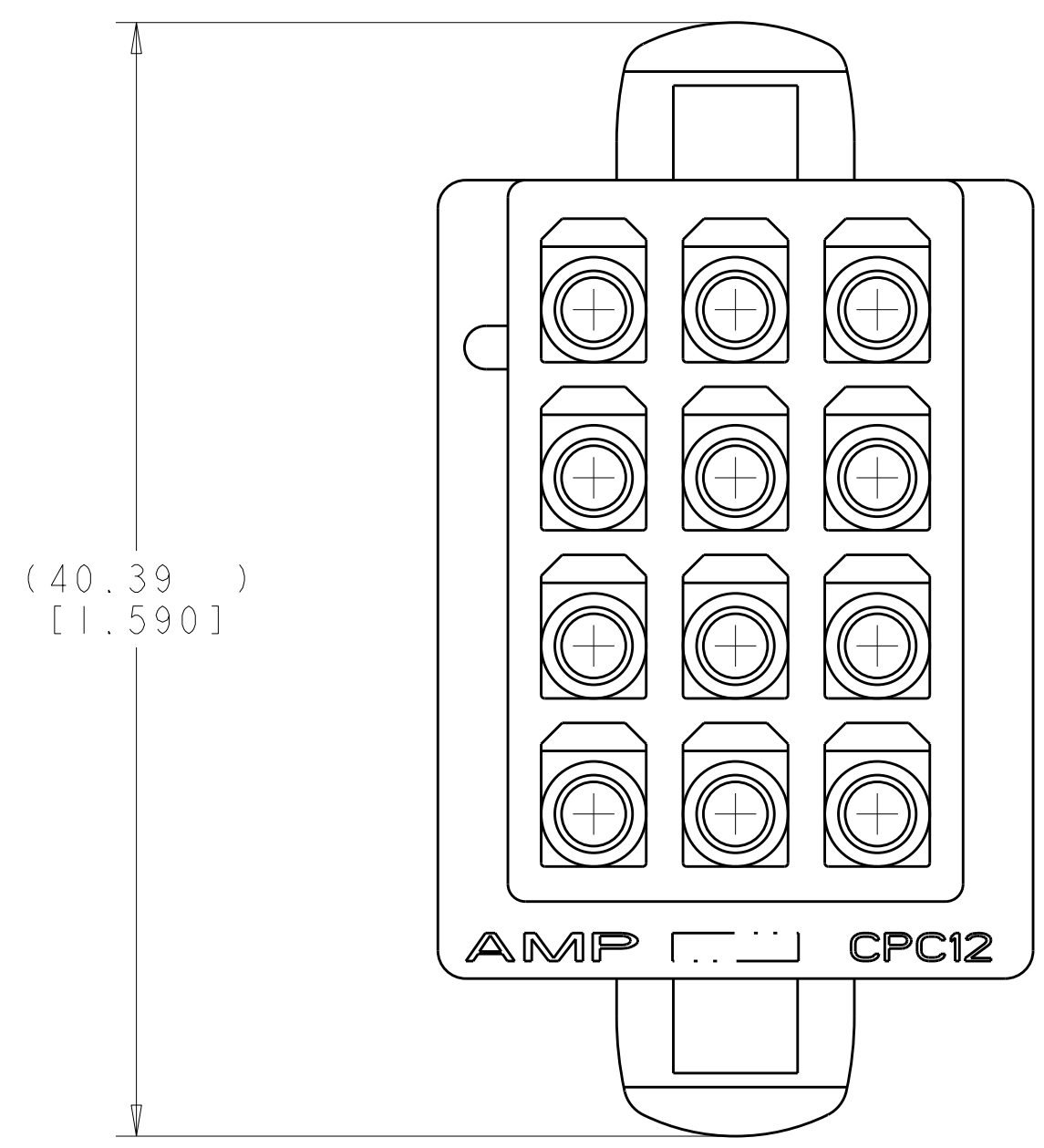
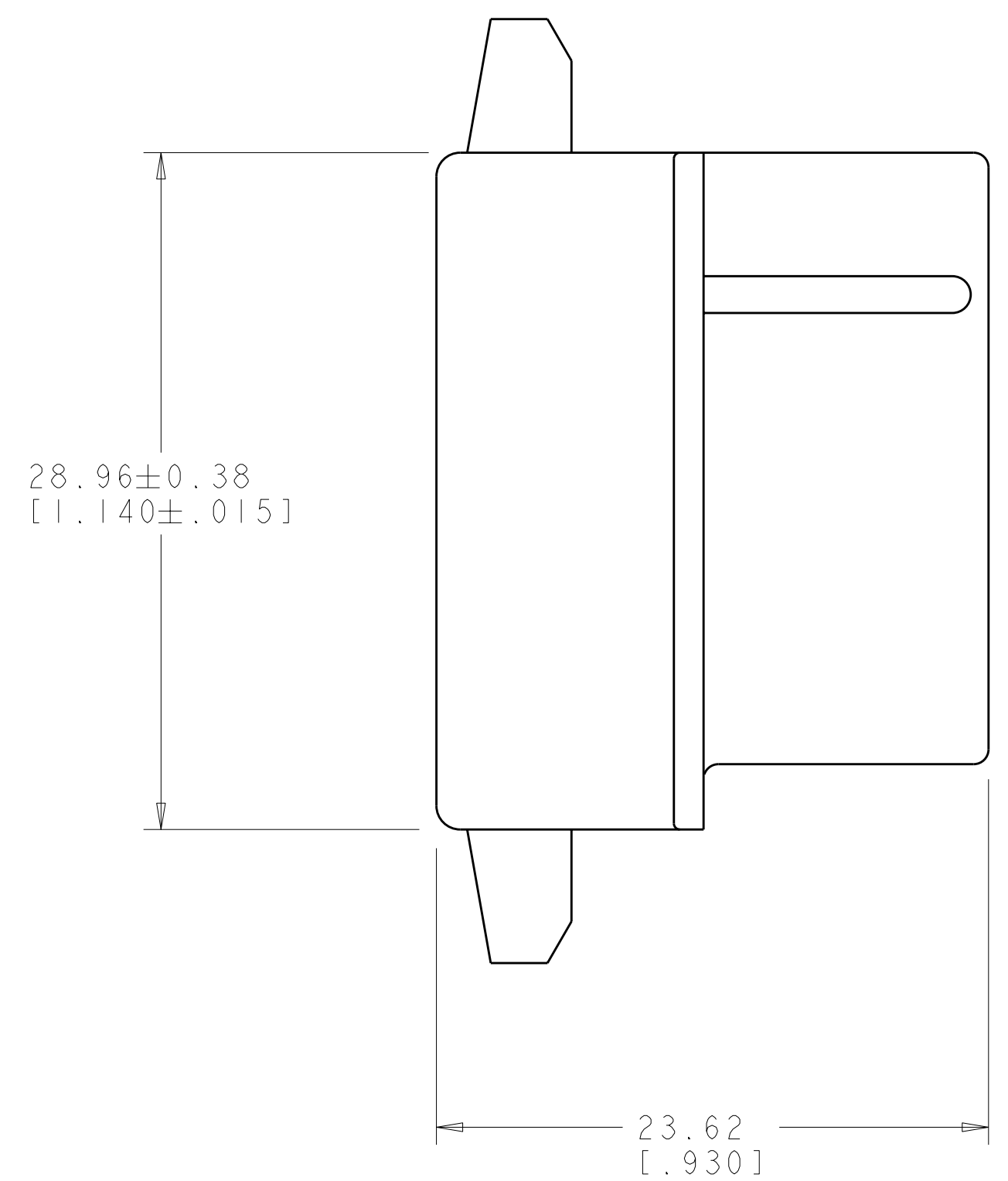
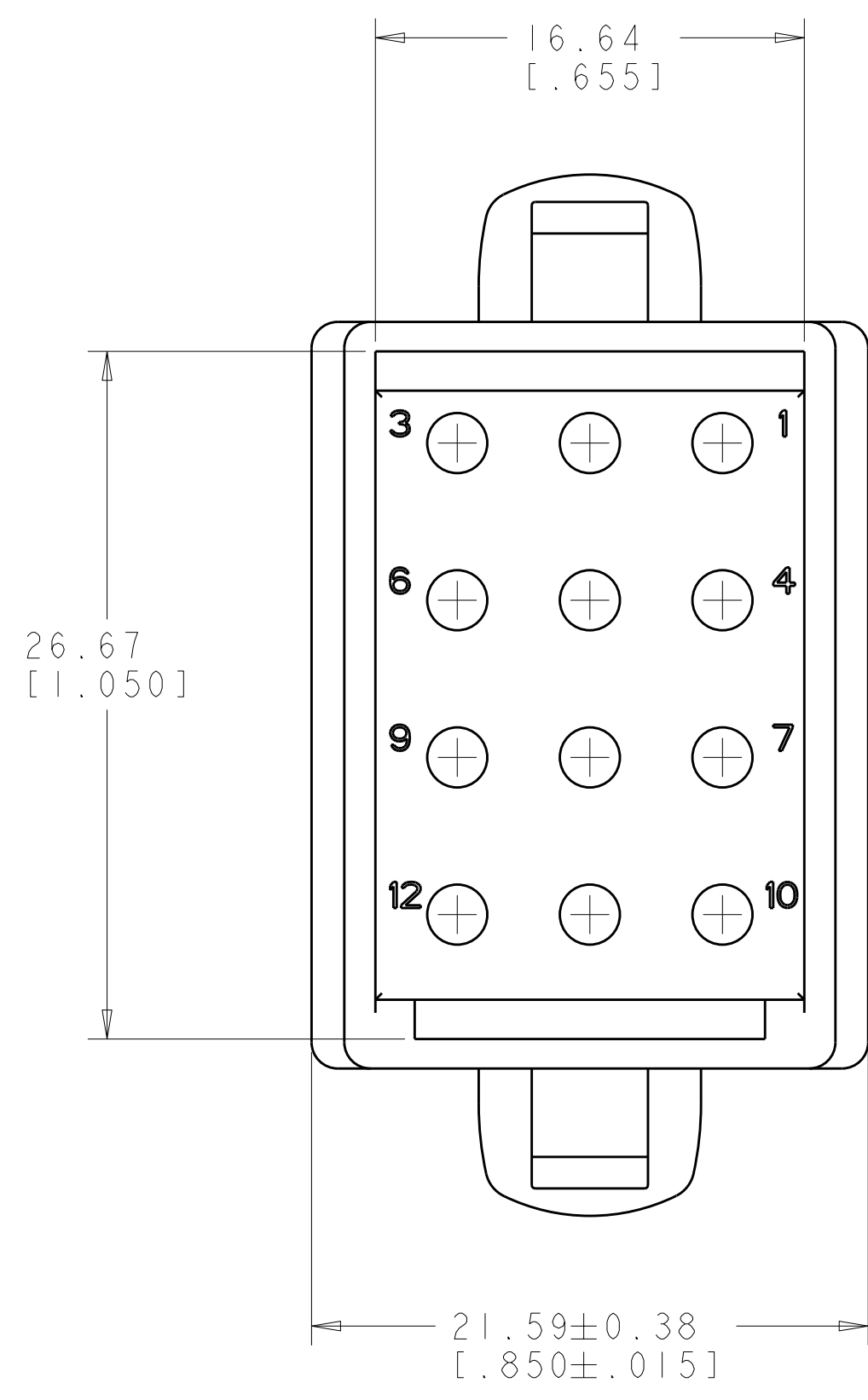


LOC	DIST	REVISIONS					
CM	00	P	LTB	DESCRIPTION	DATE	DWN	APVD
		L		ECO-08-007186	19MAR2008	KW	CC

1. TO BE USED WITH APPROPRIATE COMMERCIAL MATE-N-LOK™ PINS.
2. THIS CAP TO BE USED WITH PLUG 480275.



0.324 IN ³	1-480278-0
VOLUME	PART NUMBER

<small>THE PRESENCE OF A CHECKED TOLERANCE FROM THIS ELECTRONIC ORGANIZATION INDICATES THAT THE DIMENSIONS SHOWN ARE THE MANUFACTURING DIMENSIONS UNLESS OTHERWISE SPECIFIED. THIS IS SUBJECT TO CHANGE FOR TECHNOLOGICAL OR OPERATIONAL REASONS. DIMENSIONS SHOULD BE CONTACTED FOR THE LATEST REVISION.</small>		DWN: R. WHITAKER 19MAR2008 CHK: C. CASH 19MAR2008 APVD: C. CASH 19MAR2008	Tyco Electronics Harrisburg, PA 17105-3608
DIMENSIONS: mm [INCHES]	TOLERANCES UNLESS OTHERWISE SPECIFIED: 9 PLC ± 1 PLC ± 2 PLC ±0.13 (1.005) 3 PLC ± 4 PLC ± ANGLES ±1°	NAME: CAP, 12 CIRCUIT, MATE-N-LOK(TM) PRODUCT SPEC: APPLICATION SPEC: WEIGHT: FINISH:	SIZE: A 00779 C=480278 RESTRICTED TO:
MATERIAL: NYLON, NATURAL		CUSTOMER DRAWING	SCALE: 4:1 SHEET: 1 OF 1 REV: L



单击下面可查看定价，库存，交付和生命周期等信息

[>>TE Connectivity\(泰科\)](#)