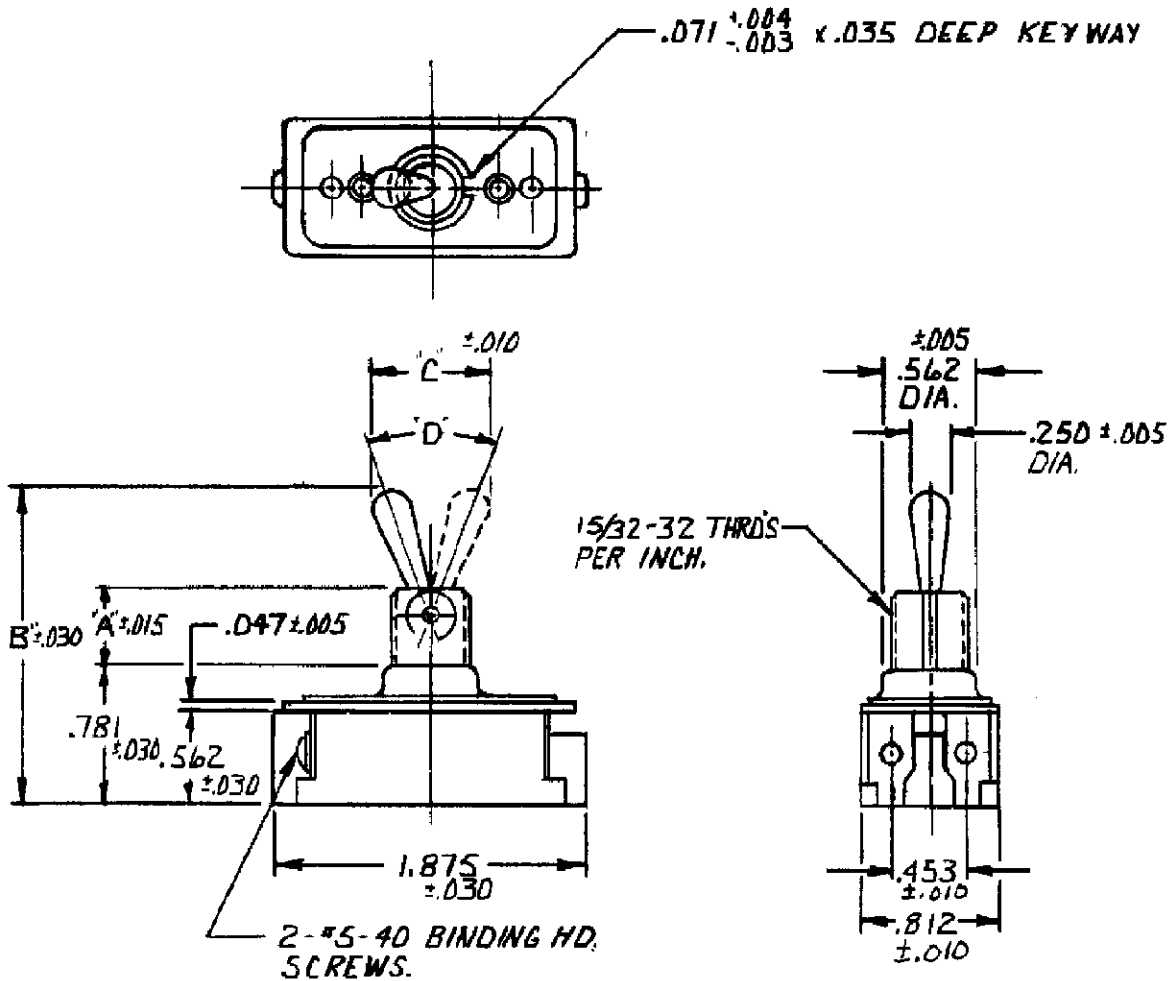


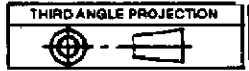
TITLE DIMENSIONS FOR DBL. POLE TOOL HD'L. SW. FOR EUROPEAN USE

ORDER NO. 702A575014	BASIC SPECS. SUMMARY		
	M. R. R. G. 11-26-76	DR MICHAEL WHITEO 1/8/76	APP. Richard [Signature]
	702A575014	CHK. J. SMITH 1-14-76	1520237
A	REVISED PER ECO-11-005294 18APR11 HMR		REV A
LTR	REVISION RECORD	DATE	CHK





37 $\frac{1}{2}$ °	7321	.469	1.922	.719
50° ± 4°	7321	.344	1.766	.844
"D"	CAT. NO.	A	B	C



TITLE DIMENSIONS FOR SINGLE POLE ONE HANDLE MTG. TOOL HANDLE SWITCH.

ORDER NO. 9310N10 BASIC SPECS. SUMMARY

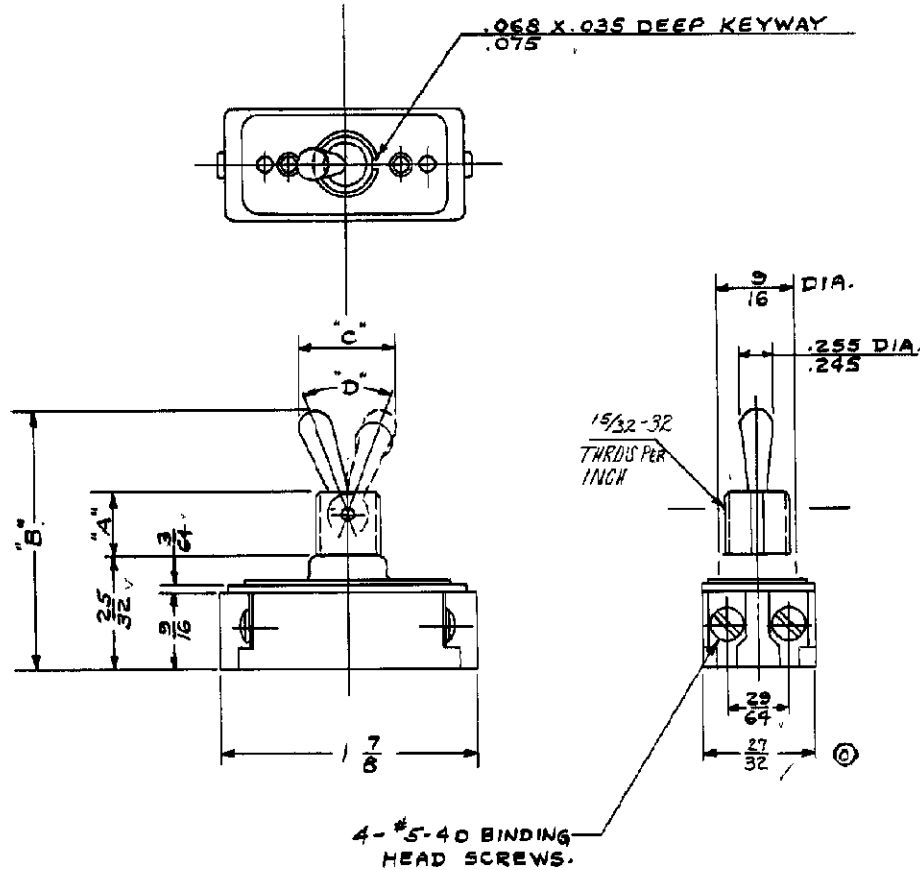
DR.	JEFF BROTHERS	11/27/04	APP.	Bill Newland
CHK.	GLENN STORV	11/27/04		1520237
			REV	A

SEE SHEET 1



1520237

RAW MAT SPEC WITH
PART NO AND AMOUNT REQ'D.



© 37±4°	7320	15/32	159/64	21/32
50±4°	7320	11/32	149/64	21/32
"D"	CAT. NO.	A	B	C

BULLETIN
DIMENSIONS FOR ~~TYPE 1540~~, ONE HOLE MTG. TOOL HANDLE SWITCH

DR. <i>E. R. Leonard</i>	11/14/40	1520237
CHKD. <i>J. P. ...</i>	10/14/40	SUP. S.
APP. <i>J. P. ...</i>	10/15/40	NON-INTERCHANGEABLE
		SUP. D BY
		NON-INTERCHANGEABLE
		SURFACE COATING
DO NOT SCALE DRAWING. WORK ACCORDING TO DIMENSIONS.		SCALE 1" = 1"
STANDARD TOLERANCES 30-275 APPLY TO DIMENSIONS FOR WHICH TOLERANCES ARE NOT SPECIFIED.		
SEE SHEET 1	ORDER NO.	REV
STE TE Connectivity	DEV. 4041-10	A

FORM NO. 7
DIMENSIONS ON THIS DRAWING
1540
SCHILLER

单击下面可查看定价，库存，交付和生命周期等信息

[>>TE Connectivity\(泰科\)](#)