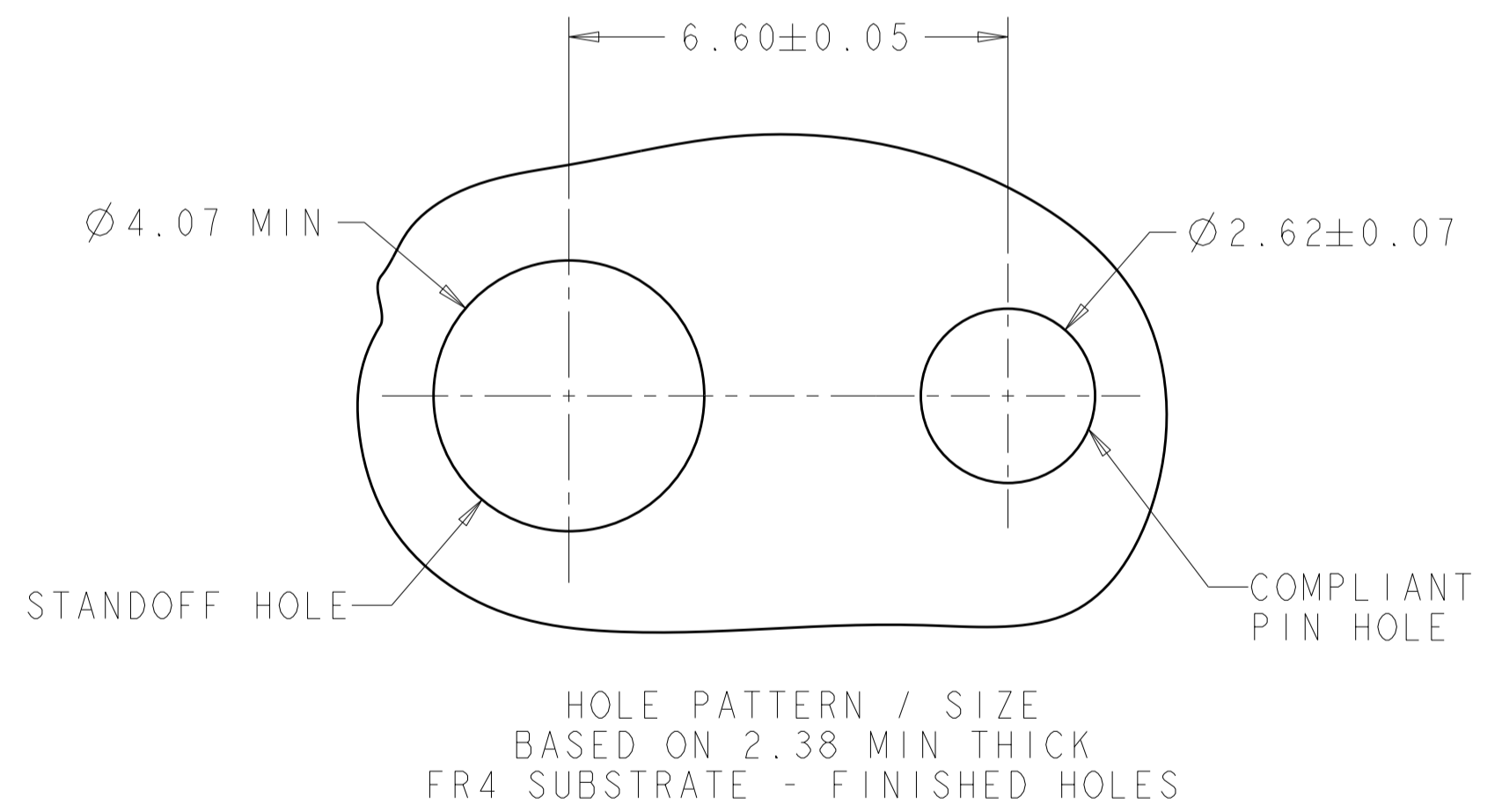
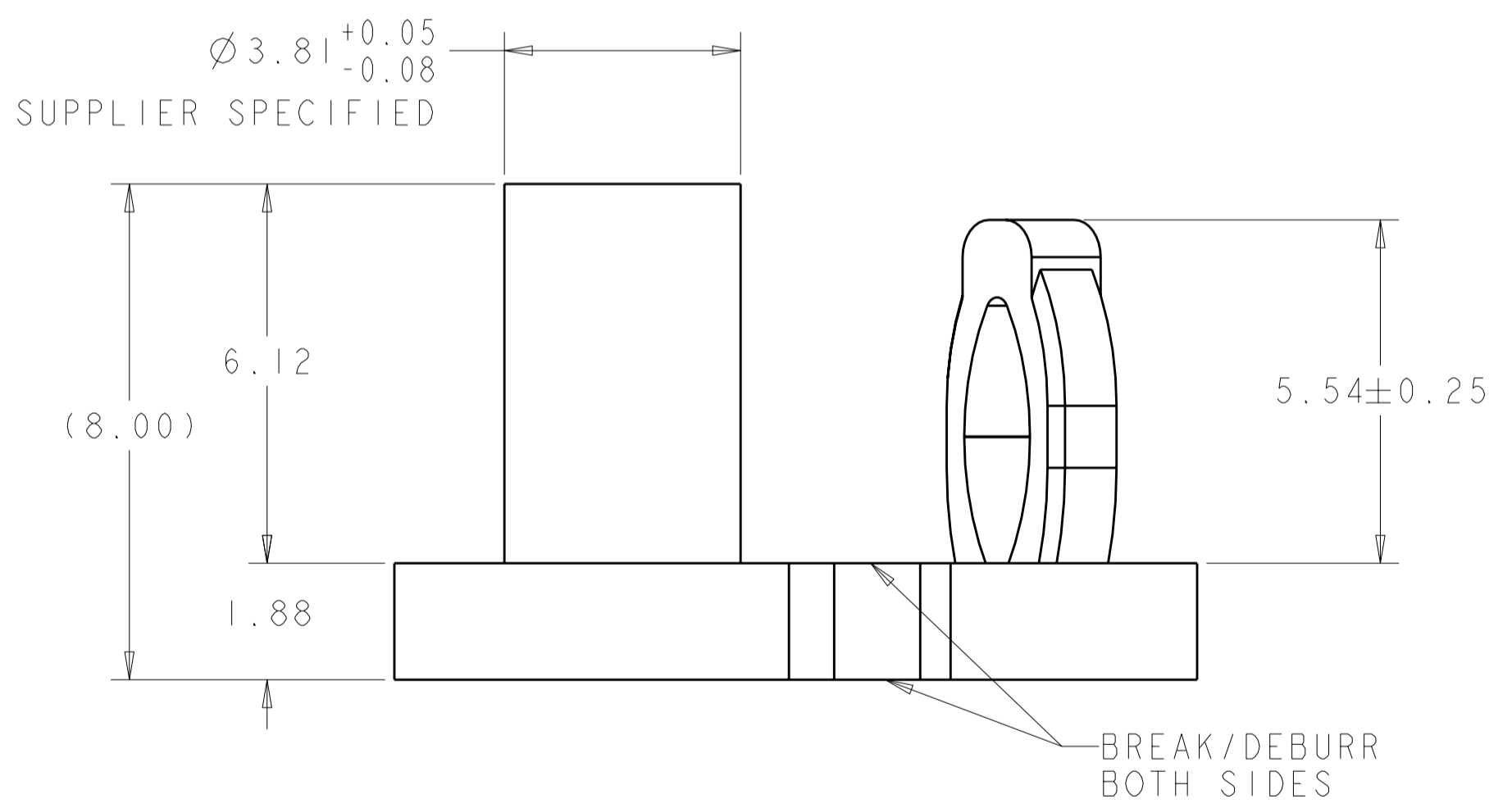
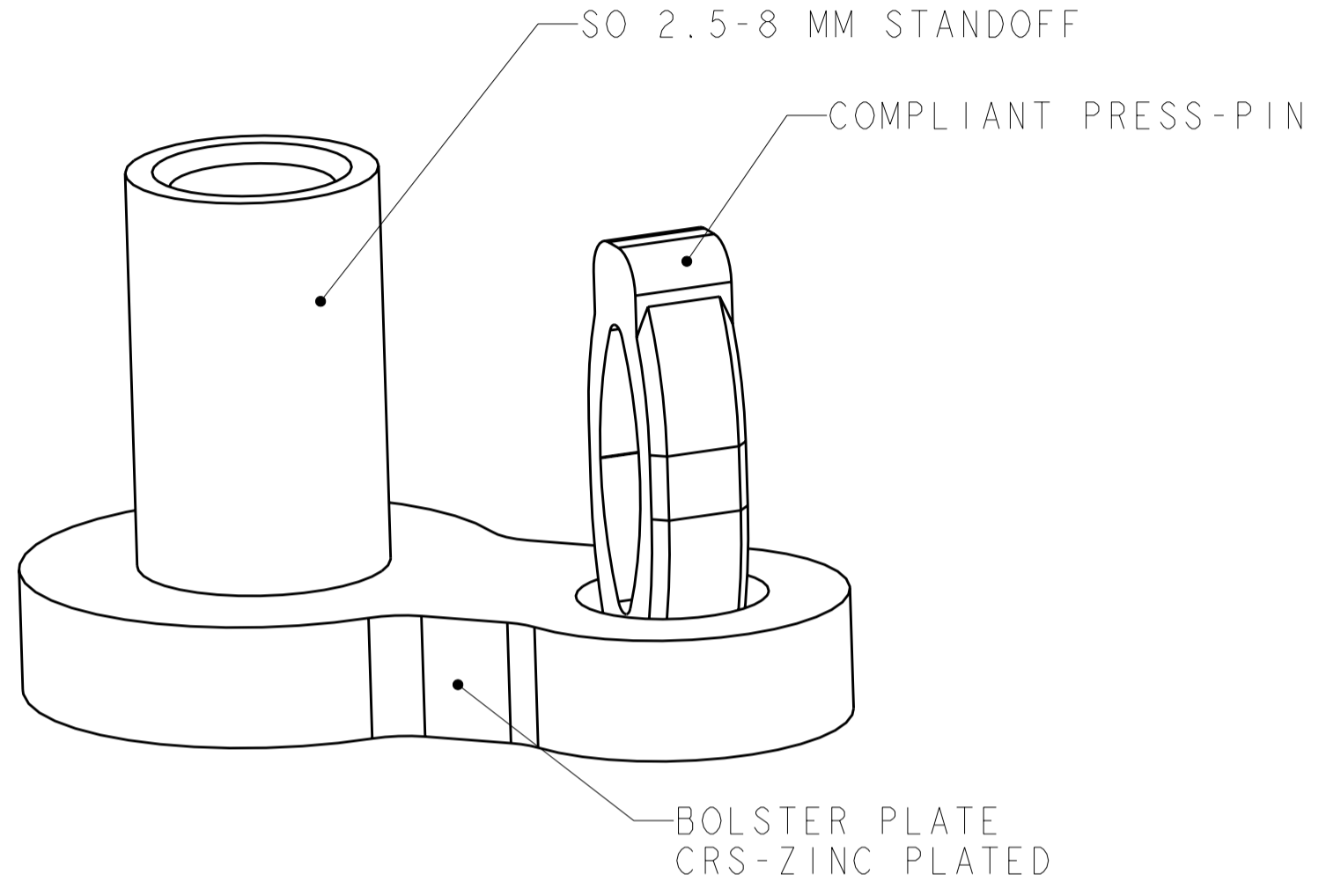
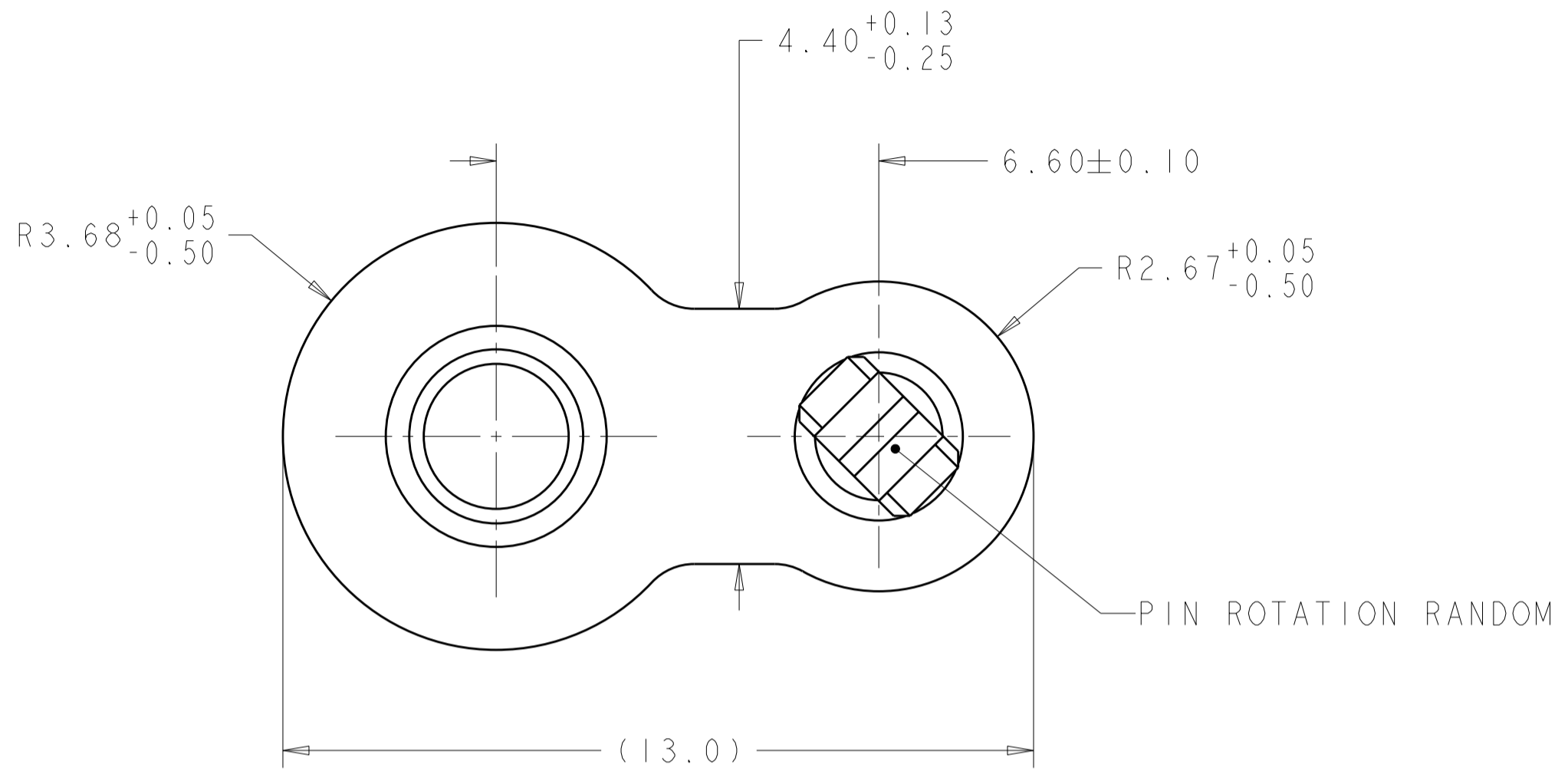


THIS DRAWING IS UNPUBLISHED. RELEASED FOR PUBLICATION 20
 © COPYRIGHT 20 BY TYCO ELECTRONICS CORPORATION. ALL RIGHTS RESERVED.

LOC	DIST	REVISIONS					
GP	00	P	LTR	DESCRIPTION	DATE	DWN	APVD
		A		RELEASED	29FEB2008	RG	SF
		C		REV PER ECO-08-007075	20MAR2008	RG	SF



1. A REFERENCE DIMENSION (X.XX) IS WITHOUT TOLERANCE AND USED FOR INFORMATION ONLY.
2. ITEMS PROVIDED TO THIS SPECIFICATION TO BE BAGGED AND TAGGED IDENTIFIED PER THE FOLLOWING IDENTIFIER:

TYCO ELECTRONICS P/N: XXXXXXXX-X
 DATE CODE (e.g. 0025): YEAR WEEK
 XXXX

AS SHOWN	1651416-1
DESCRIPTION	PART NUMBER

<small>THIS DRAWING IS A CONTROLLED DOCUMENT FOR TYCO ELECTRONICS CORPORATION. IT IS SUBJECT TO CHANGE AND THE CONTROLLING ENGINEERING ORGANIZATION SHOULD BE CONTACTED FOR THE LATEST REVISION.</small>		DWN: 29FEB2008 R. GRZYBOWSKI CHK: 29FEB2008 S. FLICKINGER APVD: 29FEB2008 S. FLICKINGER	Tyco Electronics Harrisburg, PA 17105-3608
DIMENSIONS: mm 	TOLERANCES UNLESS OTHERWISE SPECIFIED: 0 PLC ± 1 PLC ±0.25 2 PLC ±0.13 3 PLC ± 4 PLC ± ANGLES ±2 FINISH	PRODUCT SPEC: - APPLICATION SPEC: - WEIGHT: -	NAME: HARDWARE FASTENER MINI-BOLSTER PLATE SIZE: A2 CAGE CODE: 00779 DRAWING NO: 1651416 RESTRICTED TO: -
MATERIAL: -	CUSTOMER DRAWING	SCALE: 10:1	SHEET 1 OF 1 REV C

单击下面可查看定价，库存，交付和生命周期等信息

[>>TE Connectivity\(泰科\)](#)