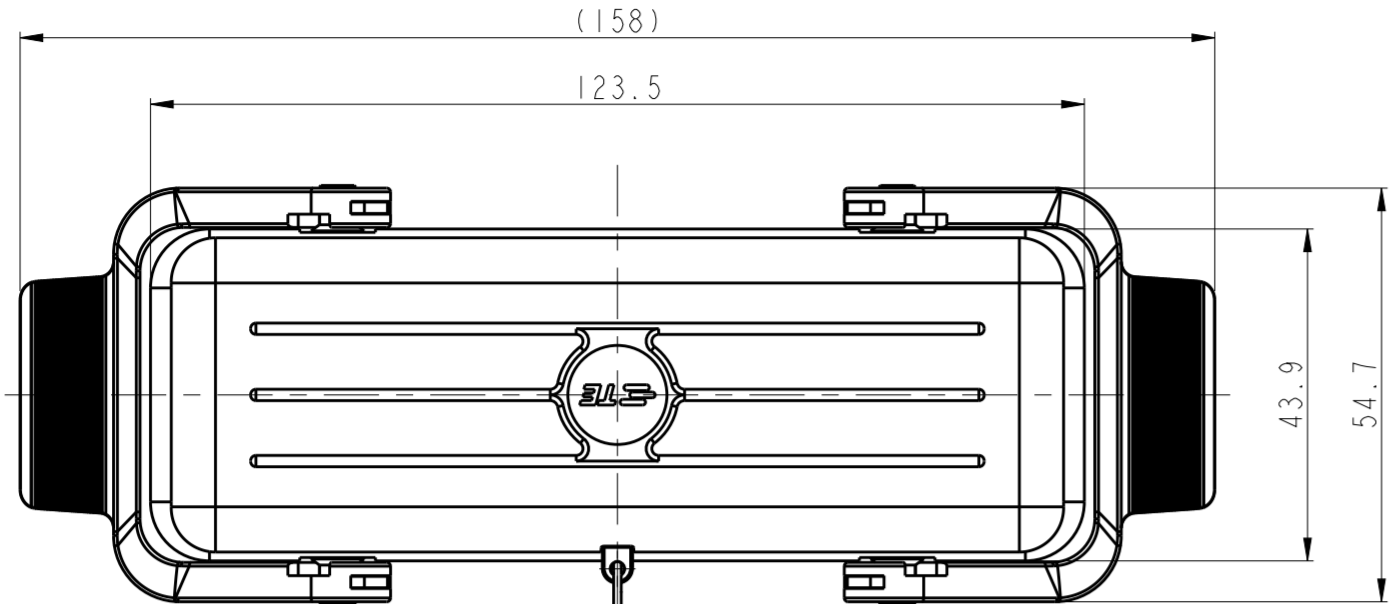


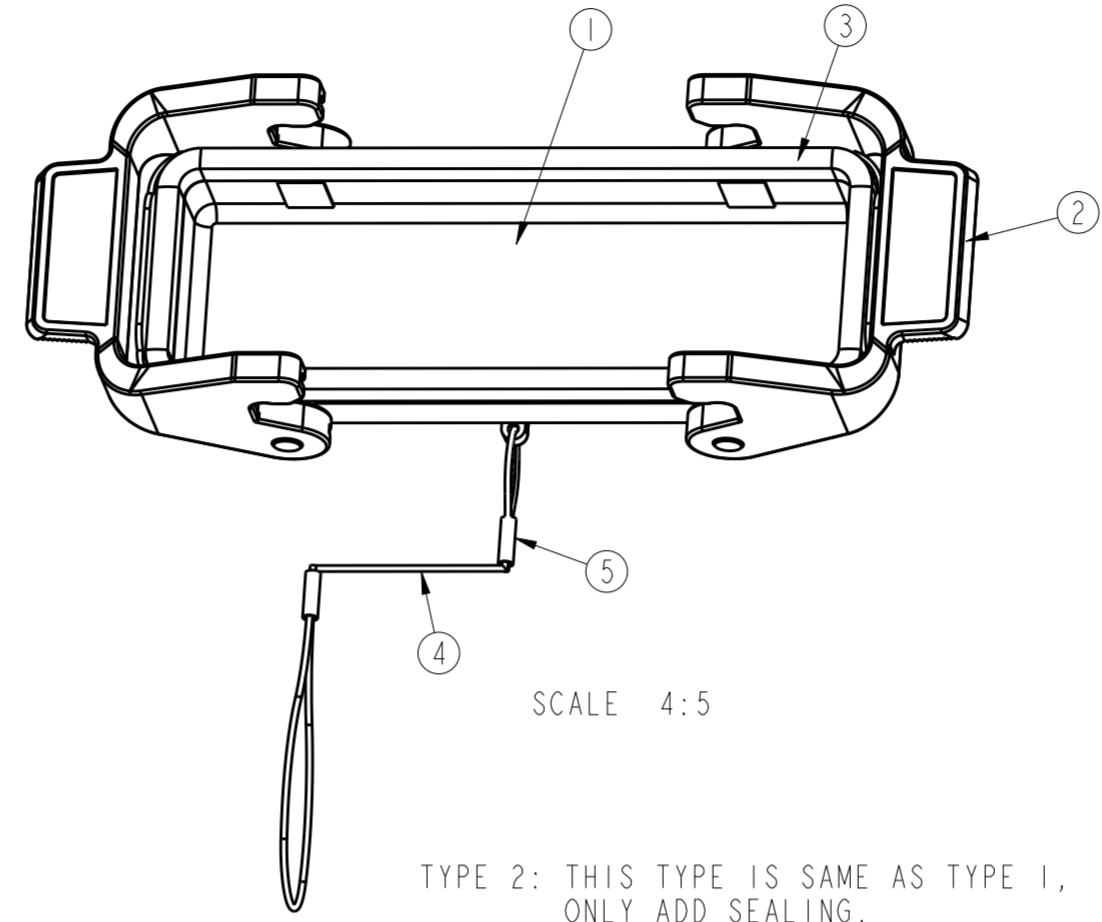
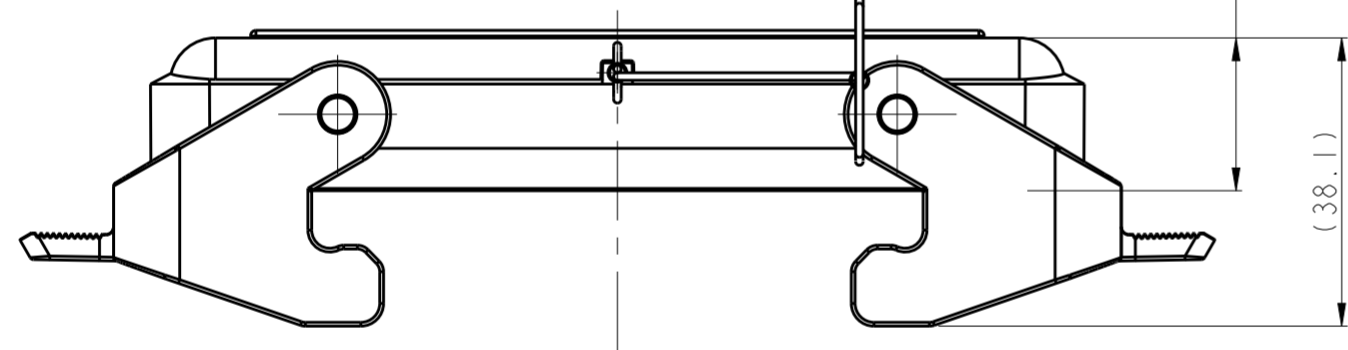
THIS DRAWING IS UNPUBLISHED. RELEASED FOR PUBLICATION  
 © COPYRIGHT copyright.d8te- ALL RIGHTS RESERVED.

REVISIONS				
P	LTR	DESCRIPTION	DATE	APVD
	A	INITIAL	22JUN2017	CH CW

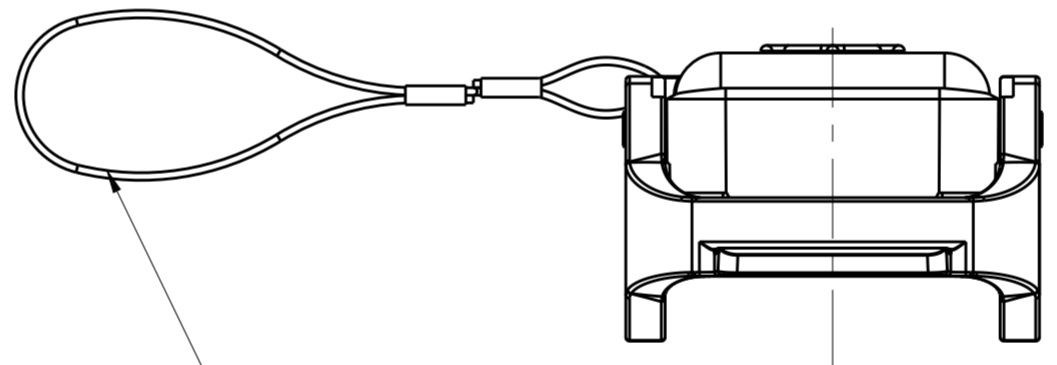
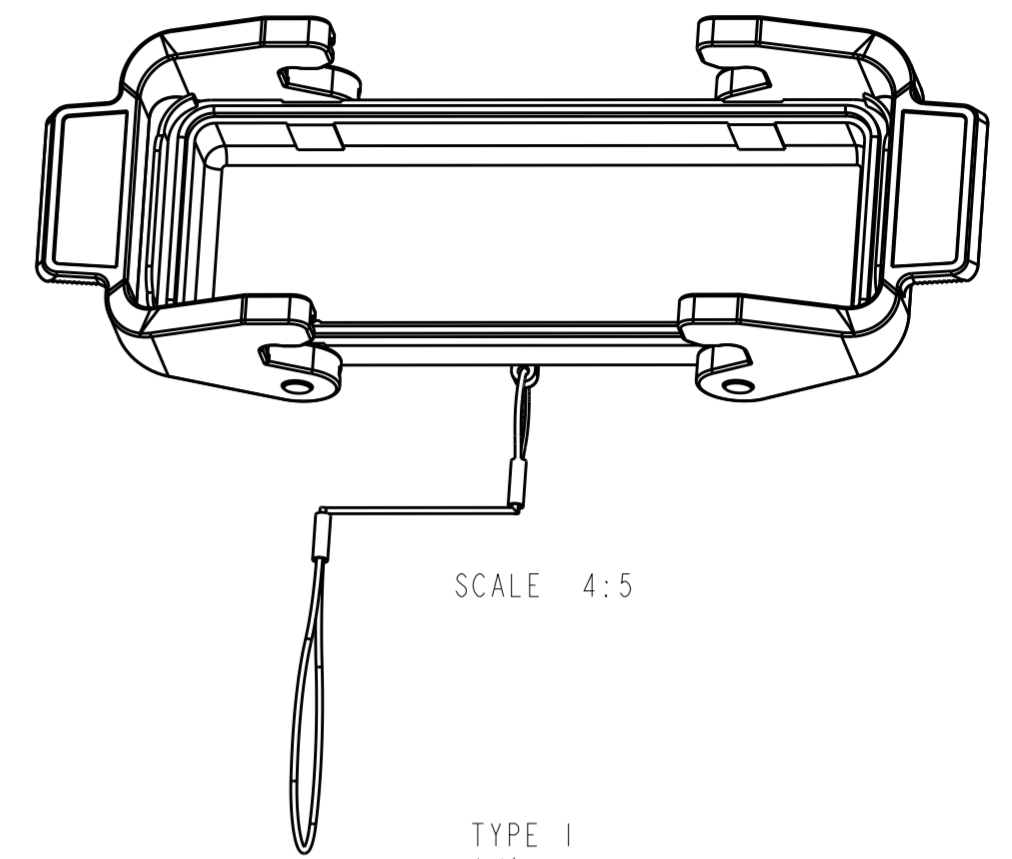


TRANSPARENT NYLON ROPE:  
 TOTAL LENGTH 380mm,  
 DIA.  $\varnothing$ 1.0mm  
 透明尼龙绳: 总长380mm, 直径 $\varnothing$ 1.0mm

20.2 DIM. WITH SEALING,  
 NO DIM. WITHOUT SEALING  
 带密封时此尺寸, 不带密封时无此尺寸



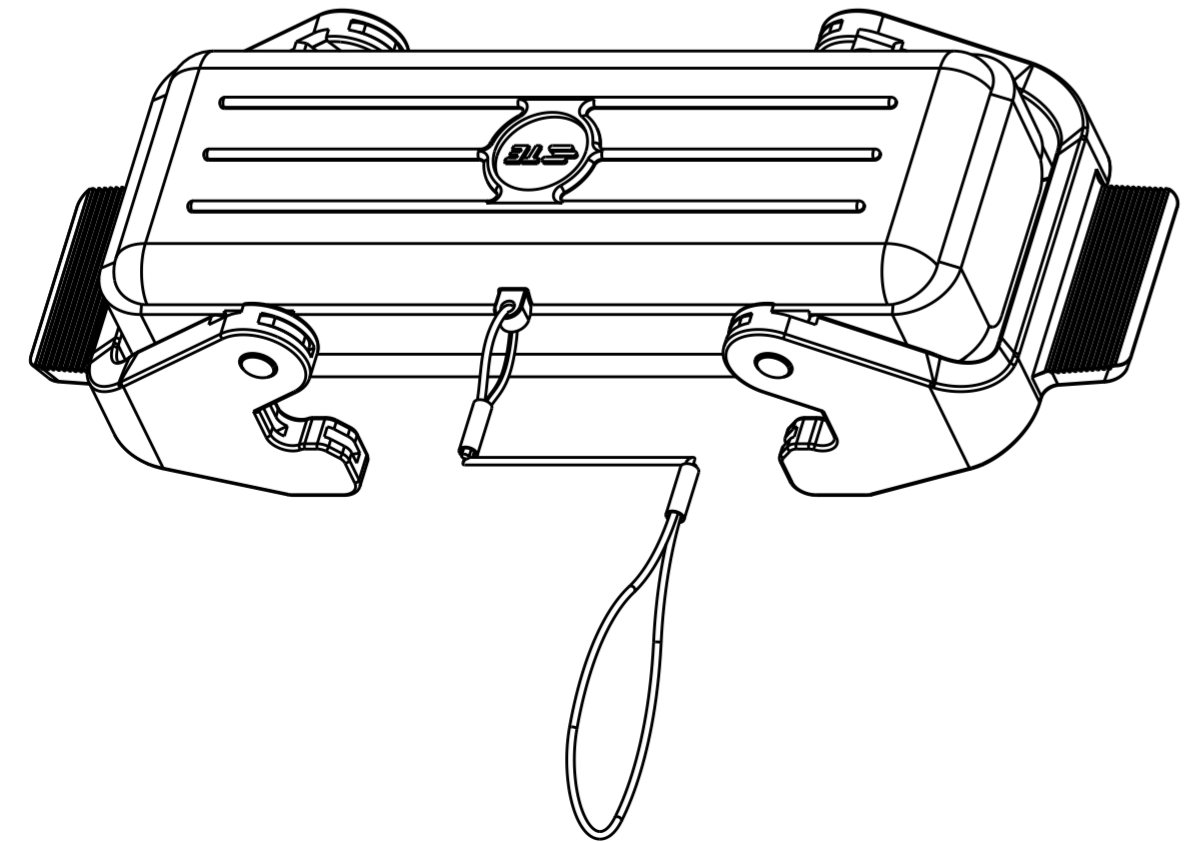
TYPE 2: THIS TYPE IS SAME AS TYPE 1,  
 ONLY ADD SEALING.  
 类型2: 此类型同类型1, 只是增加了密封.



LOOP SIZE DEFAULT VALUE DIA.  $\varnothing$ 44,  
 UNLESS HAVE SPECIAL REQUIREMENT.  
 套圈大小默认值直径是 $\varnothing$ 44, 除非有特别要求.

NOTES:  
 1. TECHNICAL CHARACTERISTICS:  
 COVER MATERIAL: PC, GREY  
 PLASTIC DOUBLE LOCKING MATERIAL: PC, GREY  
 SEALING MATERIAL: NBR, BLACK

注释:  
 1. 技术参数:  
 保护盖材质: PC, 灰色  
 塑料双扣材质: PC, 灰色  
 密封材质: NBR, 黑色



T1010241200-000	H24B-KDTP	H24B HOOD PLASTIC PROTECTION COVER, PLASTIC DOUBLE LOCKING, SEALING, NYLON ROPE, GREY H24B上壳塑料保护盖, 塑料双扣, 带密封, 尼龙绳, 灰色	TYPE 2 类型2
T1010241100-000	H24B-KDTP-NR	H24B HOOD PLASTIC PROTECTION COVER, PLASTIC DOUBLE LOCKING, WITHOUT SEALING, NYLON ROPE, GREY H24B上壳塑料保护盖, 塑料双扣, 不带密封, 尼龙绳, 灰色	TYPE 1 类型1
PART NUMBER 料号	PART DESCRIPTION 描述		TYPE 类型

THIS DRAWING IS A CONTROLLED DOCUMENT.		DWN CHARLIE HU 22 JUN 2017	TE Connectivity															
DIMENSIONS: mm		CHK GINO YAO 22 JUN 2017																
TOLERANCES UNLESS OTHERWISE SPECIFIED:		APVD CHRIS WANG 22 JUN 2017	NAME H24B-KDTP / H24B-KDTP-NR															
<table border="1"> <tr><td>0 PLC</td><td>±</td></tr> <tr><td>1 PLC</td><td>±</td></tr> <tr><td>2 PLC</td><td>±</td></tr> <tr><td>3 PLC</td><td>±</td></tr> <tr><td>4 PLC</td><td>±</td></tr> <tr><td>ANGLES</td><td>±</td></tr> <tr><td>FINISH</td><td>±</td></tr> </table>		0 PLC	±	1 PLC	±	2 PLC	±	3 PLC	±	4 PLC	±	ANGLES	±	FINISH	±	PRODUCT SPEC -	RESTRICTED TO -	
0 PLC	±																	
1 PLC	±																	
2 PLC	±																	
3 PLC	±																	
4 PLC	±																	
ANGLES	±																	
FINISH	±																	
MATERIAL -		APPLICATION SPEC -	SIZE A2	CAGE CODE -														
-		WEIGHT -	DRAWING NO G-T1010241X0000															
-		CUSTOMER DRAWING		SCALE 1:1 SHEET OF REV A														

单击下面可查看定价，库存，交付和生命周期等信息

[>>TE Connectivity\(泰科\)](#)