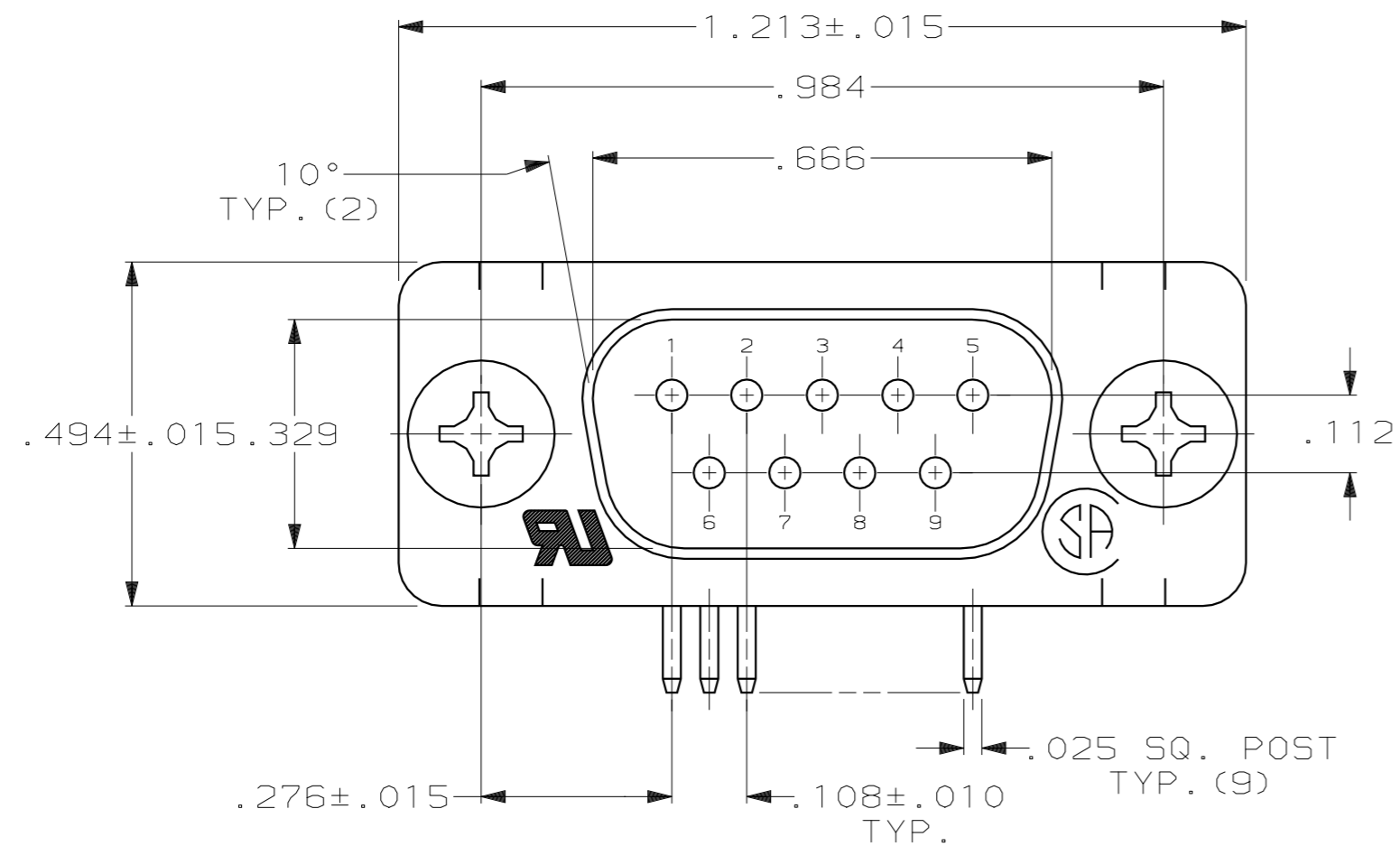
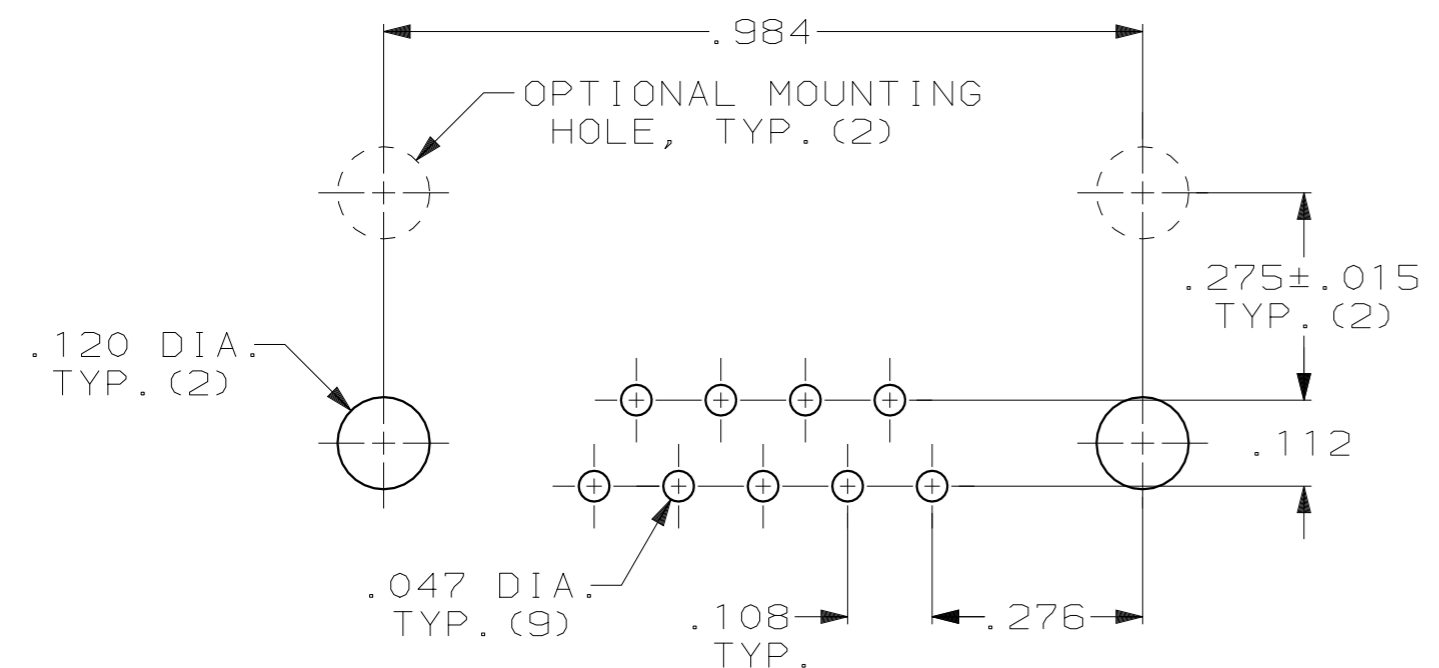
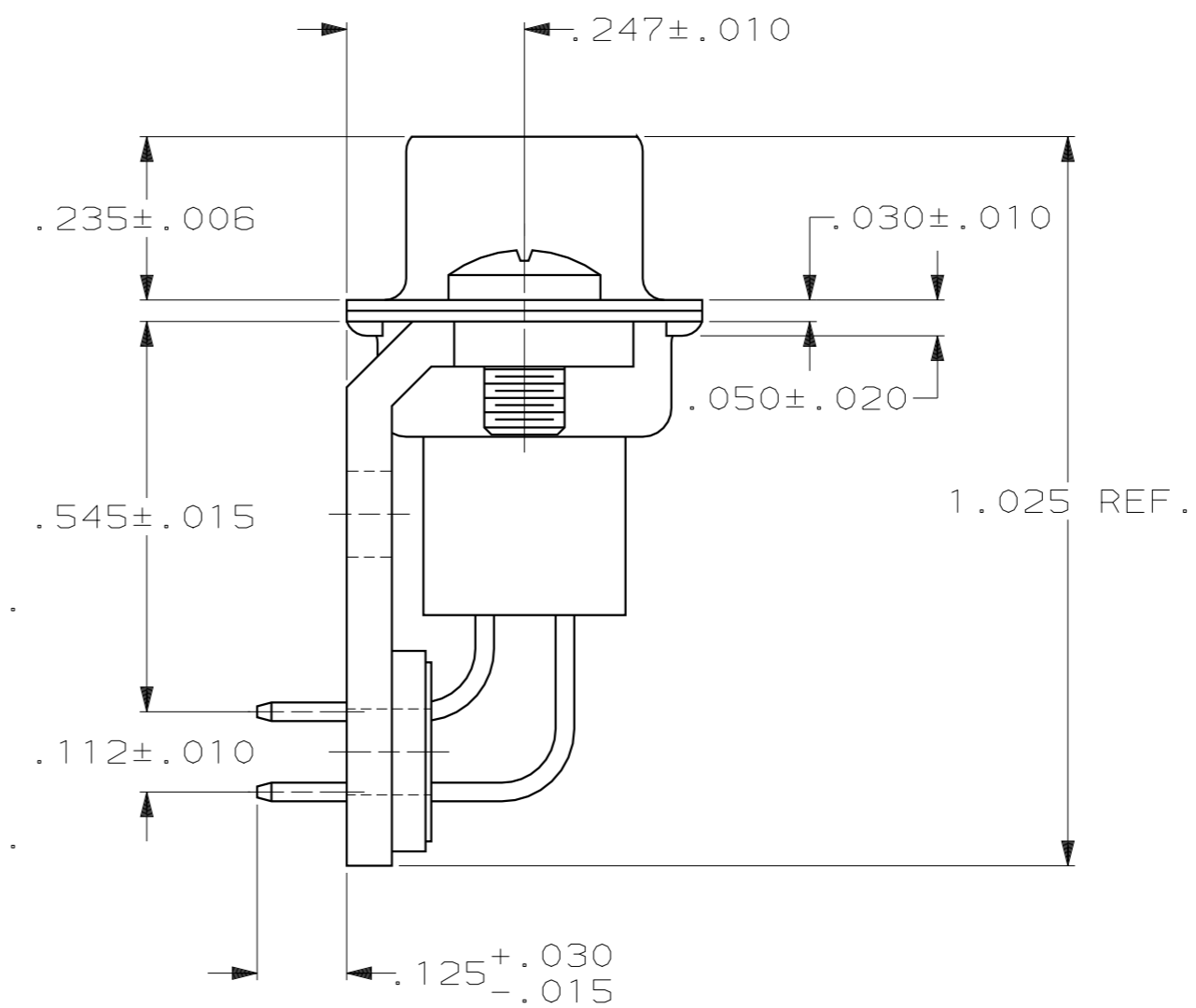
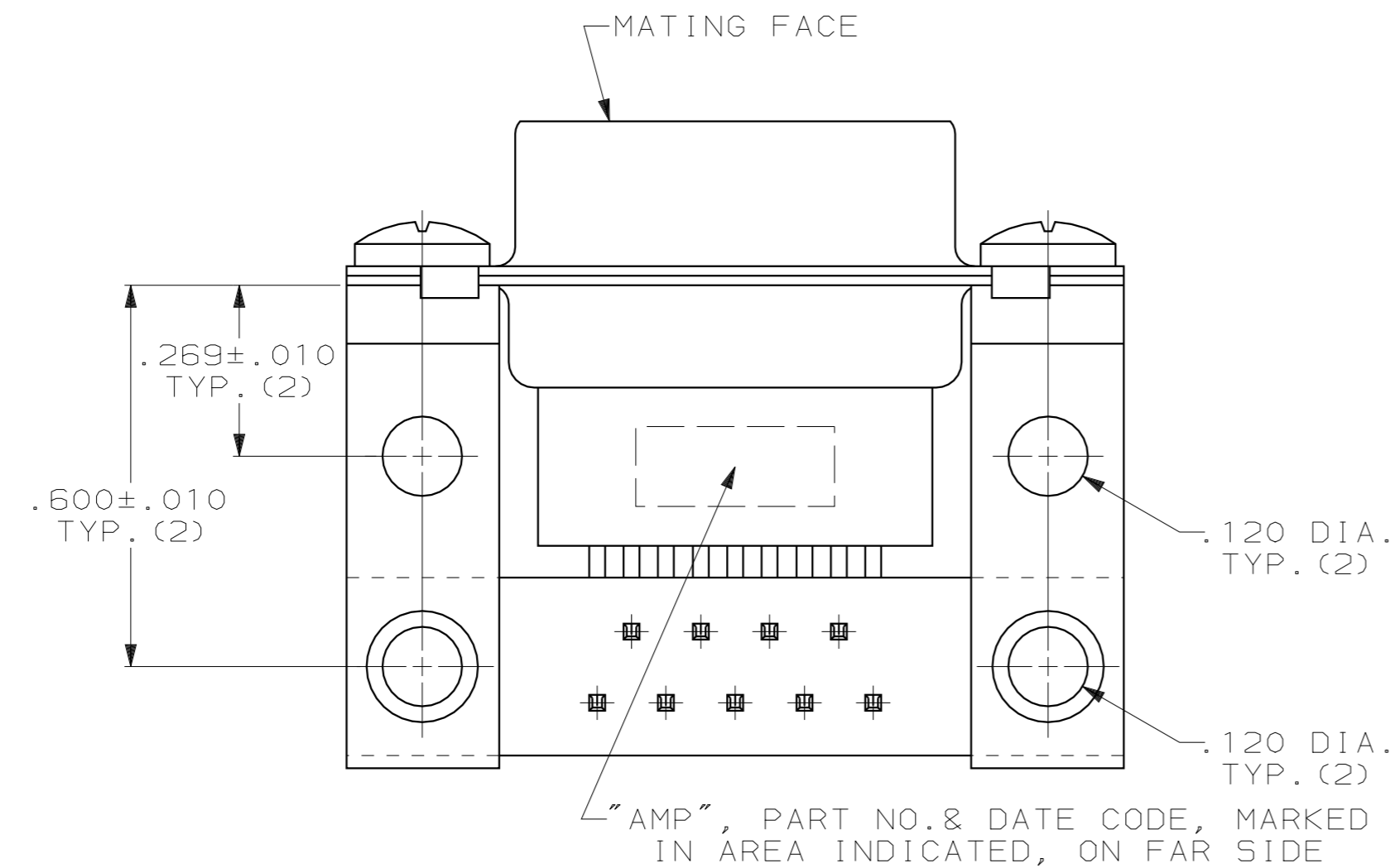


THIS DRAWING IS UNPUBLISHED. RELEASED FOR PUBLICATION
 BY AMP INCORPORATED. ALL RIGHTS RESERVED.

LOC		DIST		REVISIONS			
P	LTR	DESCRIPTION	DATE	DWN	APVD		
BD	77	L	REV PER EC 0640-429-98	03 MAR 99	-	-	



- CONNECTOR MATES WITH ANY 9 POS. RECEPTACLE IN AMPLIMITE SERIES & COMPLIES WITH AMP SPEC. 108-40,005 WHERE APPLICABLE.
- FLAME RETARDANT 94V-0 RATED THERMOPLASTIC; COLOR: BLACK.
- STEEL PER ASTM A109.
- BRASS PER MIL-C-50.
- ZINC PLATING PER ASTM B633; TYPE ; CLASS SC1; YELLOW CHROMATE, GOLD PLATING PER MIL-G-45204, NICKEL PLATING PER QQ-N-290.
- ZINC PLATED.
- GOLD PLATED FOR LENGTH OF .150 MIN FROM MATING END, GOLD FLASH IN MATED AREA, .000100 MIN TIN-LEAD ON OPPOSITE END, BOTH OVER .000050 MIN NICKEL.
- GOLD PLATED FOR LENGTH OF .150 MIN FROM MATING END, .000030 MIN GOLD IN MATED AREA, .000100 MIN TIN-LEAD ON OPPOSITE END, BOTH OVER .000050 MIN NICKEL.



P.C. BOARD MOUNTING DIMENSIONS

8	205865-2
7	205865-1
CONTACT FINISH	PART NUMBER

THIS DRAWING IS A CONTROLLED DOCUMENT.		DWN	J. GERACE	12-16-83	AMP Incorporated Harrisburg, PA 17105-3608
DIMENSIONS: INCHES		CHK	J. GERACE	12-16-83	
TOLERANCES UNLESS OTHERWISE SPECIFIED:		APVD	P. SWEIGARD	3-15-84	
0 PLC ±- 1 PLC ±- 2 PLC ±0.13 (.005) 3 PLC ±- 4 PLC ±- ANGLES ±2°		PRODUCT SPEC	NAME		
MATERIAL MOLDED PARTS: 2 SHELL & BRACKETS: 3 CONTACTS: 4		FINISH	SHELL & BRACKETS: 4 CONTACTS: SEE TABLE		PLUG ASSEMBLY, SIZE 1, 9 POSITION, RIGHT ANGLE, 545 SERIES, .025 SQ POSTS, AMPLIMITE HDP
CUSTOMER DRAWING		WEIGHT	-		SIZE A2 CAGE CODE 00779 DRAWING NO. C-205865 RESTRICTED TO -
SCALE 4:1		SHEET 1 OF 1		REV L	

单击下面可查看定价，库存，交付和生命周期等信息

[>>TE Connectivity\(泰科\)](#)