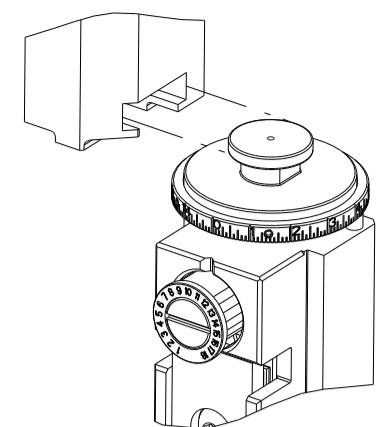


PART NUMBER	REVISION	DESCRIPTION	FEED TYPE
2151411-2	K	FINE CRIMP HEIGHT ADJUST	PNEUMATIC
7-2151411-2	K	PNEUMATIC AND CRIMP TOOLING KIT	PNEUMATIC
7-2151411-7	E	CRIMP TOOLING KIT	-

ATLANTIC VERSION TERMINATOR INTERFACE ADAPTER

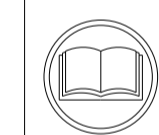


APPLICATOR DATA		
CRIMP	SIZE	TYPE
WIRE	5.33 mm [.210]	F
INSUL	5.59 mm [.220]	O

APPLICATOR INSTRUCTIONS 408-35042

TERMINAL DATA: TE TERMINAL		TE CRIMP SPECIFICATION	
TERMINAL NAME: MALE TYPE XII CONTACT ASSEMBLY			
WIRE STRIP LENGTH		INSULATION DIAMETER RANGE	
7.54-9.12 mm [.297-.359 IN]		Ø 4.83-5.59 mm [.190-.220 IN]	
TERMINAL APPLICATION SPECIFICATION	114-10005		
TERMINALS APPLIED			
TE TERMINAL	TE TERMINAL	TE TERMINAL	TE TERMINAL
66253-5	66253-6	66253-8	1-66253-0
66741-9	1-66741-1	1-66741-2	2-66741-0
172738-2	172738-3	1-172738-1	1-172738-2
66254-5			

WIRE SIZE	CRIMP HEIGHT mm [INCH]	CRIMP HEIGHT REFERENCE SETTING
10 AWG	2.82+/-0.10 [.111+/-0.004]	8.4



- 1 RECOMMENDED SPARE PARTS
- 2 REFER TO SUPPLIED INSTRUCTION SHEET FOR CLEANING, LUBRICATION AND STORAGE OF APPLICATOR.
- 3 APPLY PART NUMBER 2-23419-6 LOCTITE TO THREADS OF ITEM 242.
- 4 CRIMP HEIGHT REFERENCE SETTING WAS THE SETTING USED WHEN THE APPLICATOR WAS QUALIFIED AT THE FACTORY. ADJUSTMENT MAY BE NECESSARY WHEN RUNNING APPLICATOR IN THE FIELD.
- 5 TERMINAL PITCH NOT COMPATIBLE WITH MECHANICAL FEED.
- 6 MARKING FROM WIRE CRIMPER IN TRANSITION AREA BETWEEN WIRE BARREL AND RECEPTACLE IS NECESSARY TO MAINTAIN GAP OF RECEPTACLE.
- 7. UNLESS SPECIFIED OTHERWISE TORQUE VALUES SHALL BE USED PER DOCUMENT, 101-35000.

***WARNING**
ON INSTALLATION, SET WIRE DISC TO CRIMP HEIGHT REFERENCE SETTING FOR LARGEST WIRE SIZE. CRIMP HEIGHT REFERENCE SETTINGS GREATER THAN THE VALUE SHOWN MAY CAUSE DAMAGE TO THE CRIMP TOOLING, REFER TO THE INSTRUCTION SHEET FOR PROPER SETUP AND ADJUSTMENTS.

ATLANTIC VERSION
Shown on sheets 1 of 4 & 2 of 4
(Pacific version shown on sheets 3 of 4 & 4 of 4)

LOC	DIST	REVISIONS					
A	66	P	LTN	DESCRIPTION	DATE	OWN	APVD
		J		ECR-20-2151411	19FEB2020	TB	GB
		J1		ECR-20-003835	13MAR2020	FZ	RK
		K		ECR-20-007866	02JUN2020	JWC	TE
		K1		ECR-21-006777	08JUL2021	FJ	RK

-	1	1	2119641-1	FEED CAM, AIR FEED	248
-	1	1	2119082-8	CAM, SNAIL, INSULATION ADJUSTMENT	244
-	1	1	2079764-1	WASHER, WAVE SPRING, CREST-TO-CREST	243
-	1	1	2119083-1	RETAINER, INSULATION DIAL	242
-	1	1	7-18023-7	SCR, SKT HD CAP M3 X 4.0	241
-	1	1	2844940-2	AIR FEED MODULE	238
-	REF	REF	994970-2	COUNTER, MAGNETIC	164
-	1	1	1-18028-2	WASHER, FLAT, REG M4	119
-	1	1	2844908-1	SCREW, LOCKING	99
-	1	1	2844907-1	POST, LOCKING	98
-	1	1	1-690438-0	FRONT STRIP GUIDE	96
-	1	1	1803078-2	SPACER, PRECISION	83
-	1	1	1-455888-2	SPACER, CRIMPER	82
-	2	2	1-2079383-8	SCR, BHSC, RoHS (M4 X 6)	79
-	1	1	1803096-1	EXTENSION PLATE	78
-	1	1	1803607-3	DOCUMENTATION PACKAGE	71
-	1	1	2119791-9	DEPRESSOR, WIRE	70
-	1	1	2119740-1	TAG, IDENTIFICATION	67
-	2	2	2168078-1	SCREW, DRIVE, RH, RoHS, 2 x .188	66
-	1	1	2168083-2	SCR, SKT HD CAP, RoHS, M4 X 8.0	60
-	1	1	5-18022-5	SCR, HEX HD CAP, M4 X 6.0	59
-	1	1	2168083-3	SCR, SKT HD CAP, RoHS, M4 X 12.0	57
-	1	1	1-1338683-1	FEED PAWL	56
-	4	4	2168083-3	SCR, SKT HD CAP, RoHS, M4 X 12.0	54
-	1	1	5018030-1	NUT, HEX, REG, RoHS, M3	52
-	1	1	811242-6	BUMPER, HOLD DOWN	51
-	1	1	690753-2	SPACER, TONKER	50
-	1	1	18023-9	SCR, SKT HD CAP M4 X 6.0	49
-	1	1	1803583-9	APPLICATOR BASIC ASSEMBLY, SF	46
-	1	1	1803515-2	RAM ASSEMBLY, SF ATLANTIC	44
-	1	1	1803602-2	SCR, BHSC, RoHS (M8 X 40)	41
-	1	1	3-1752356-3	SUPPORT, TERMINAL	34
-	2	2	2079383-5	SCR, BHSC, RoHS (M4 X 20)	33
-	2	2	2-2844962-6	SPACER, CYLINDRICAL, STRIP GUIDE	30
-	1	1	2844992-5	ASSEMBLY, STRIP GUIDE	29
-	2	2	22283-1	SPRING, COMPRESSION	27
-	1	1	240792-1	DRAG, TERMINAL	25
-	1	1	2-1320928-4	STRIP GUIDE	24
-	1	1	2168083-2	SCR, SKT HD CAP, RoHS, M4 X 8.0	21
-	1	1	1-18028-2	WASHER, FLAT, REG M4	20
-	1	1	2119533-1	STRIPPER, SIDE FEED	19
-	1	1	2119806-1	INSERT, SHEAR	13
-	1	1	5-22280-0	SPRING, COMPRESSION	12
-	1	1	1-356885-4	STOP, SHEAR	11
-	1	1	2-2119805-1	SHEAR HOLDER, FRONT	10
-	1	1	454276-5	FLOATING SHEAR, FRONT	9
-	1	2	1333211-6	ANVIL, COMBINATION .150-.300	8
-	1	1	5-240641-9	SPACER	7
-	-	-	-	-	6
-	1	1	1-2119757-3	DEPRESSOR, SHEAR	5
-	1	1	238011-1	BLOCK, CRIMPER SPACER	4
-	1	2	7-1633966-6	CRIMPER, INSULATION O	3
-	1	1	455888-6	SPACER, CRIMPER	2
-	1	2	1-456430-5	CRIMPER, WIRE	1

DIMENSIONS:		TOLERANCES UNLESS OTHERWISE SPECIFIED:		MATERIAL:		FINISH:		WEIGHT:		SCALE:		SHEET:		REV:		
mm	0 PLC ±	1 PLC ±	2 PLC ±	3 PLC ±	4 PLC ±	ANGLES	FINISH			Customer Accessible Production Drawing	SCALE	1:2	SHEET	1 of 4	REV	K1



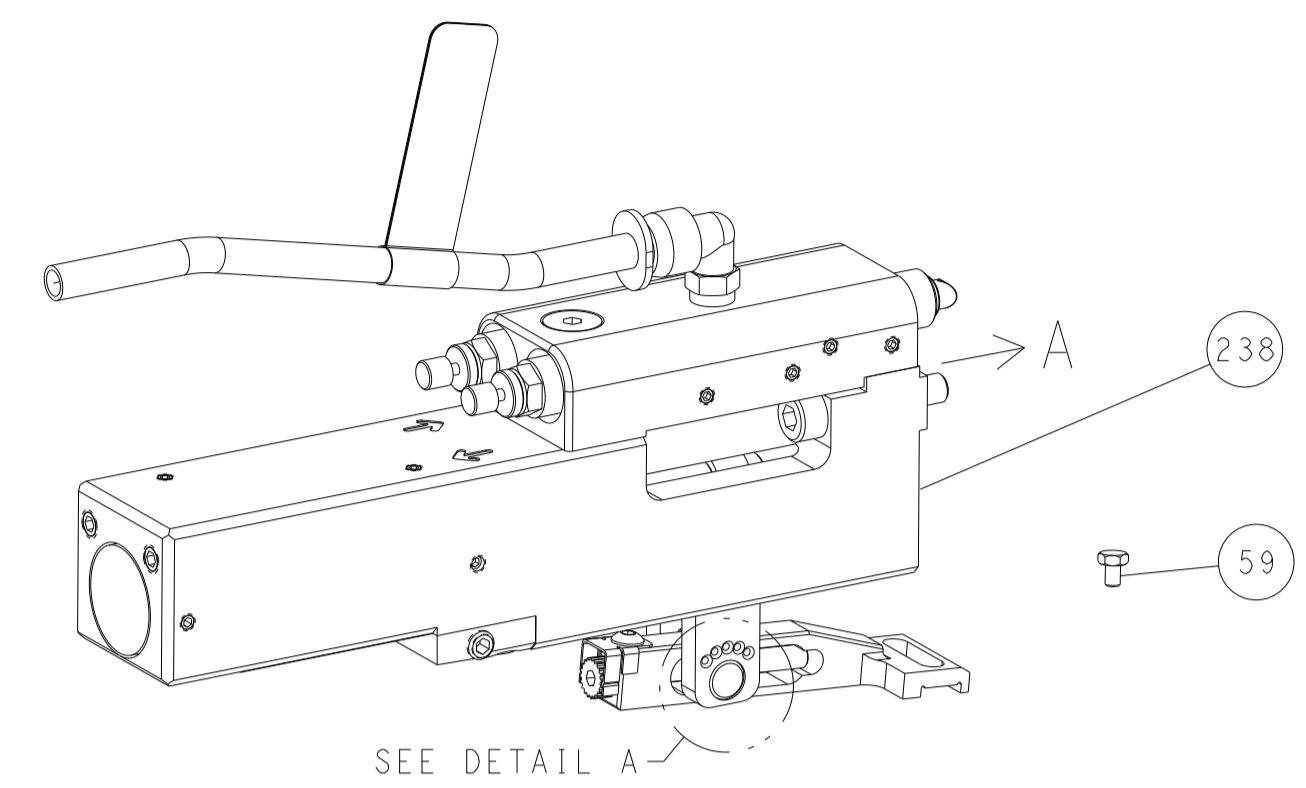
Ocean Side Feed Applicator

SIZE: A1 CAGE CODE: 00779 DRAWING NO: 2151411

LOC	DIST	REVISIONS			
P	LTN	DESCRIPTION	DATE	OWN	APVD
A	66	SEE SHEET 1	-	-	-

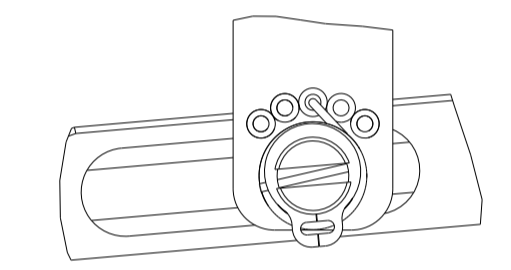
FEED TYPE

PNEUMATIC

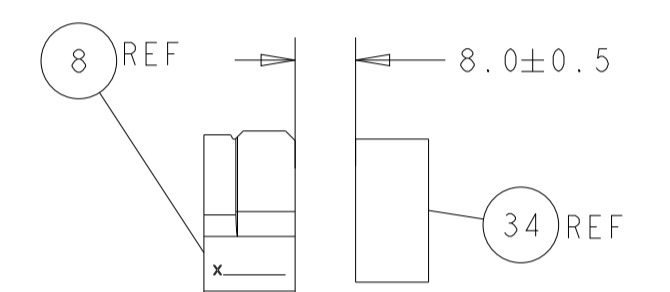
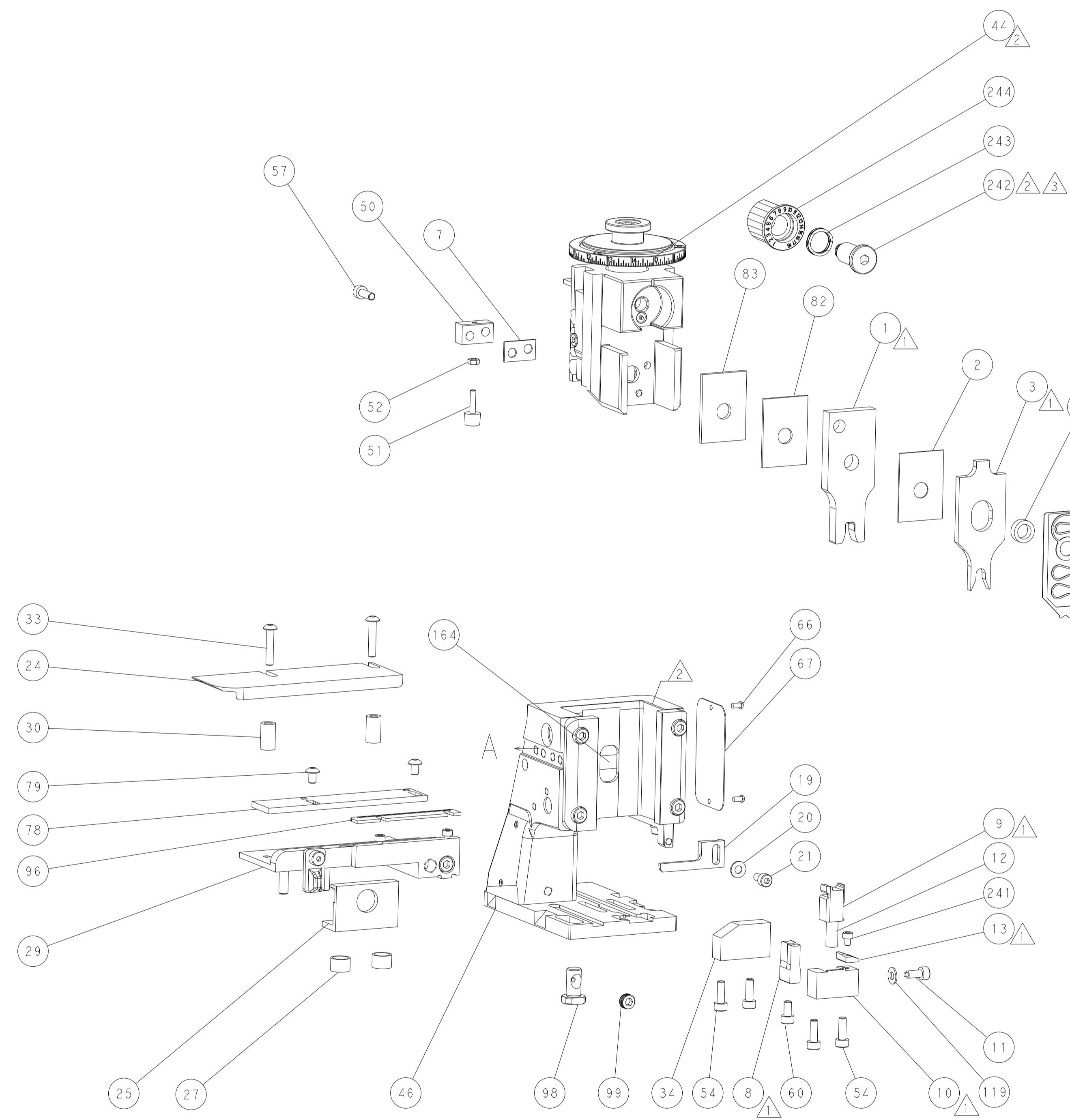


SEE DETAIL A

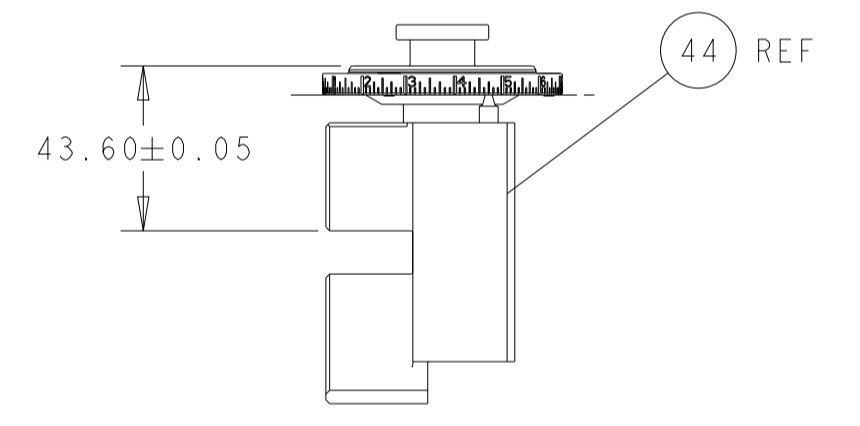
FEED SPRING SETTING POSITION
(SHOWN FROM REAR SIDE)



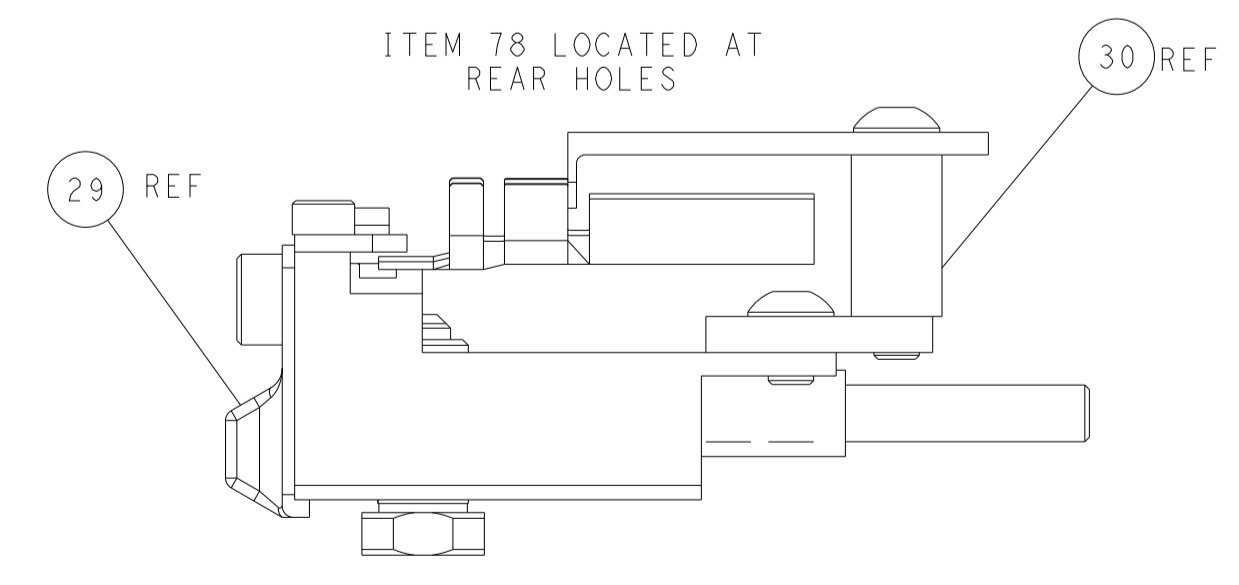
DETAIL A



TERMINAL SUPPORT LOCATION

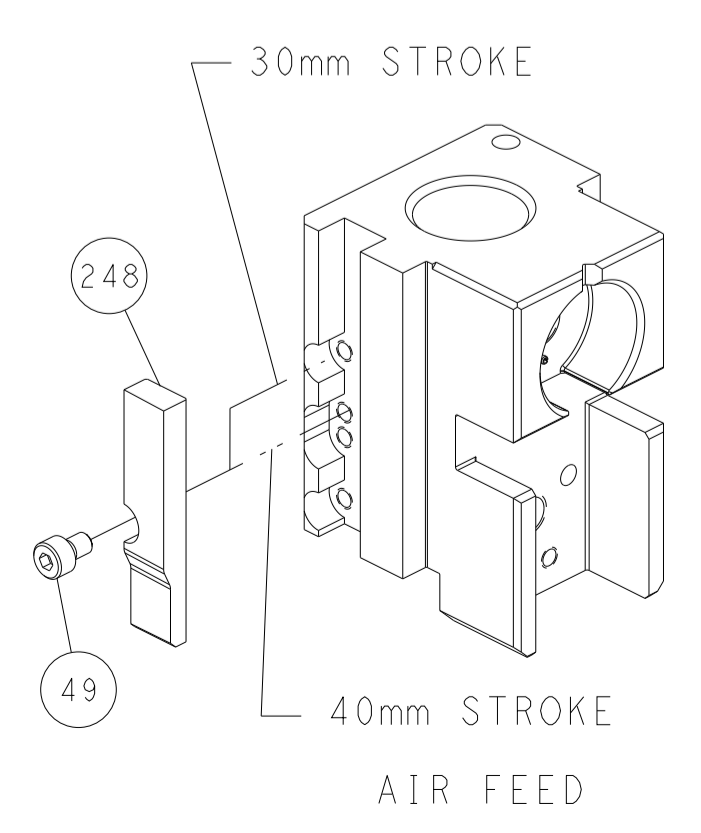


RAM SET-UP



FEED TRACK POSITION
GUIDE BY WIRE BARREL

CAM POSITION

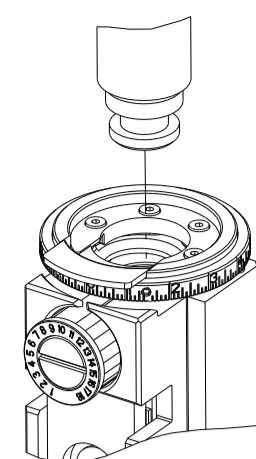


ATLANTIC VERSION
 Shown on sheets 1 of 4 & 2 of 4
 (Pacific version shown on sheets 3 of 4 & 4 of 4)

<small>THIS DRAWING IS UNPUBLISHED. RELEASED FOR PUBLICATION. ALL RIGHTS RESERVED. THIS DRAWING IS UNPUBLISHED. RELEASED FOR PUBLICATION. ALL RIGHTS RESERVED. THIS DRAWING IS UNPUBLISHED. RELEASED FOR PUBLICATION. ALL RIGHTS RESERVED.</small>		DWN C. CHEN 15DEC2011 CHK S. XI 15DEC2011 APVD J. CRUZ 15DEC2011	NAME Ocean Side Feed Applicator SIZE CAGE CODE DRAWING NO. RESTRICTED TO A1 00779 ©=2151411
DIMENSIONS: mm TOLERANCES UNLESS OTHERWISE SPECIFIED: 0 PLC ± 1 PLC ± 2 PLC ± 3 PLC ± 4 PLC ± ANGLES ± FINISH	TOLERANCES UNLESS OTHERWISE SPECIFIED: 0 PLC ± 1 PLC ± 2 PLC ± 3 PLC ± 4 PLC ± ANGLES ± FINISH	WEIGHT SCALE 1:2 SHEET 2 OF 4 REV K1	TE Connectivity Harrisburg, PA 17105-3608 Customer Accessible Production Drawing

PART NUMBER	REVISION	DESCRIPTION	FEED TYPE
2-2151411-2	K	FINE CRIMP HEIGHT ADJUST	PNEUMATIC
7-2151411-7	E	CRIMP TOOLING KIT	-

PACIFIC VERSION TERMINATOR INTERFACE ADAPTER



APPLICATOR DATA		
CRIMP	SIZE	TYPE
WIRE	5.33 mm [.210]	F
INSUL	5.59 mm [.220]	O
APPLICATOR INSTRUCTIONS 408-35042		

TERMINAL DATA: TE TERMINAL		TE CRIMP SPECIFICATION	
TERMINAL NAME: MALE TYPE XII CONTACT ASSEMBLY			
WIRE STRIP LENGTH		INSULATION DIAMETER RANGE	
7.54-9.12 mm [.297-.359 IN]		\varnothing 4.83-5.59 mm [.190-.220 IN]	
TERMINAL APPLICATION SPECIFICATION	114-10005 \triangle	-	-
TERMINALS APPLIED \triangle \triangle			
TE TERMINAL	TE TERMINAL	TE TERMINAL	TE TERMINAL
66253-5	66253-6	66253-8	1-66253-0
66741-9	1-66741-1	1-66741-2	2-66741-0
172738-2	172738-3	1-172738-1	1-172738-2
66254-5			

WIRE SIZE	CRIMP HEIGHT mm [INCH]	CRIMP HEIGHT REFERENCE SETTING
10 AWG	2.82 +/- 0.10 [.111 +/- .004]	8.4

***WARNING**
 ON INSTALLATION, SET WIRE DISC TO CRIMP HEIGHT REFERENCE SETTING FOR LARGEST WIRE SIZE. CRIMP HEIGHT REFERENCE SETTINGS GREATER THAN THE VALUE SHOWN MAY CAUSE DAMAGE TO THE CRIMP TOOLING. REFER TO THE INSTRUCTION SHEET FOR PROPER SETUP AND ADJUSTMENTS.

- \triangle RECOMMENDED SPARE PARTS.
- \triangle REFER TO SUPPLIED INSTRUCTION SHEET FOR CLEANING, LUBRICATION AND STORAGE OF APPLICATOR.
- \triangle APPLY PART NUMBER 2-23419-6 LOCTITE TO THREADS OF ITEM 242.
- \triangle CRIMP HEIGHT REFERENCE SETTING WAS THE SETTING USED WHEN THE APPLICATOR WAS QUALIFIED AT THE FACTORY. ADJUSTMENT MAY BE NECESSARY WHEN RUNNING APPLICATOR IN THE FIELD.
- \triangle TERMINAL PITCH NOT COMPATIBLE WITH MECHANICAL FEED.
- \triangle MARKING FROM WIRE CRIMPER IN TRANSITION AREA BETWEEN WIRE BARREL AND RECEPTACLE IS NECESSARY TO MAINTAIN GAP OF RECEPTACLE.
- 7. UNLESS SPECIFIED OTHERWISE TORQUE VALUES SHALL BE USED PER DOCUMENT, 101-35000.

LOC	DIST	REVISIONS					
A	66	P	LTN	DESCRIPTION	DATE	OWN	APVD
-	-	-	-	SEE SHEET 1	-	-	-

-	1	2119082-8	CAM, SNAIL, INSULATION ADJUSTMENT	244
-	1	2079764-1	WASHER, WAVE SPRING, CREST-TO-CREST	243
\triangle	1	2119083-1	RETAINER, INSULATION DIAL	242
-	1	7-18023-7	SCR, SKT HD CAP M3 X 4.0	241
-	1	2844940-2	AIR FEED MODULE	238
-	REF	994970-2	COUNTER, MAGNETIC	164
-	1	2119641-2	FEED CAM, AIR FEED	151
-	1	2168083-8	SCR, SKT HD CAP, RoHS, M4 X 16	144
-	4	2168083-9	SCR, SKT HD CAP, RoHS, M4 X 20	143
-	1	1-1803583-0	APPLICATOR BASIC ASSEMBLY, SF	141
-	1	1803516-2	RAM ASSEMBLY, SF PACIFIC	140
-	1	1-18028-2	WASHER, FLAT, REG M4	119
-	1	2844908-1	SCREW, LOCKING	99
-	1	2844907-1	POST, LOCKING	98
-	1	1-690438-0	FRONT STRIP GUIDE	96
-	1	1803078-2	SPACER, PRECISION	83
-	1	1-455888-2	SPACER, CRIMPER	82
-	2	1-2079383-8	SCR, BHSC, RoHS (M4 X 6)	79
-	1	1803096-1	EXTENSION PLATE	78
-	1	1803607-3	DOCUMENTATION PACKAGE	71
-	1	2119791-9	DEPRESSOR, WIRE	70
-	1	2119740-1	TAG IDENTIFICATION	67
-	2	2168078-1	SCREW, DRIVE, RH, RoHS, 2 x .188	66
-	1	5-18022-5	SCR, HEX HD CAP, M4 X 6.0	59
-	1	2168083-3	SCR, SKT HD CAP, RoHS, M4 X 12.0	57
-	1	1-1338683-1	FEED PAWL	56
-	1	5018030-1	NUT, HEX, REG, RoHS, M3	52
-	1	811242-6	BUMPER, HOLD DOWN	51
-	1	690753-2	SPACER, TONKER	50
-	1	18023-9	SCR, SKT HD CAP M4 X 6.0	49
-	1	1803602-2	SCR, BHSC, RoHS (M8 X 40)	41
-	1	3-1752356-3	SUPPORT, TERMINAL	34
-	2	2079383-5	SCR, BHSC, RoHS (M4 X 20)	33
-	2	2-2844962-6	SPACER, CYLINDRICAL, STRIP GUIDE	30
-	1	2844992-5	ASSEMBLY, STRIP GUIDE	29
-	2	22283-1	SPRING, COMPRESSION	27
-	1	240792-1	DRAG, TERMINAL	25
-	1	2-1320928-4	STRIP GUIDE	24
-	1	2168083-2	SCR, SKT HD CAP, RoHS, M4 X 8.0	21
-	1	1-18028-2	WASHER, FLAT, REG M4	20
-	1	2119533-1	STRIPPER, SIDE FEED	19
\triangle	1	2119806-1	INSERT, SHEAR	13
-	1	5-22280-0	SPRING, COMPRESSION	12
-	1	1-356885-4	STOP, SHEAR	11
\triangle	1	2-2119805-1	SHEAR HOLDER, FRONT	10
\triangle	1	454276-5	FLOATING SHEAR, FRONT	9
\triangle	1	1333211-6	ANVIL, COMBINATION .150-.300	8
-	1	5-240641-9	SPACER	7
-	-	-	-	6
-	1	1-2119757-3	DEPRESSOR, SHEAR	5
-	1	238011-1	BLOCK, CRIMPER SPACER	4
\triangle	1	7-1633966-6	CRIMPER, INSULATION O	3
-	1	455888-6	SPACER, CRIMPER	2
\triangle	1	1-456430-5	CRIMPER, WIRE	1

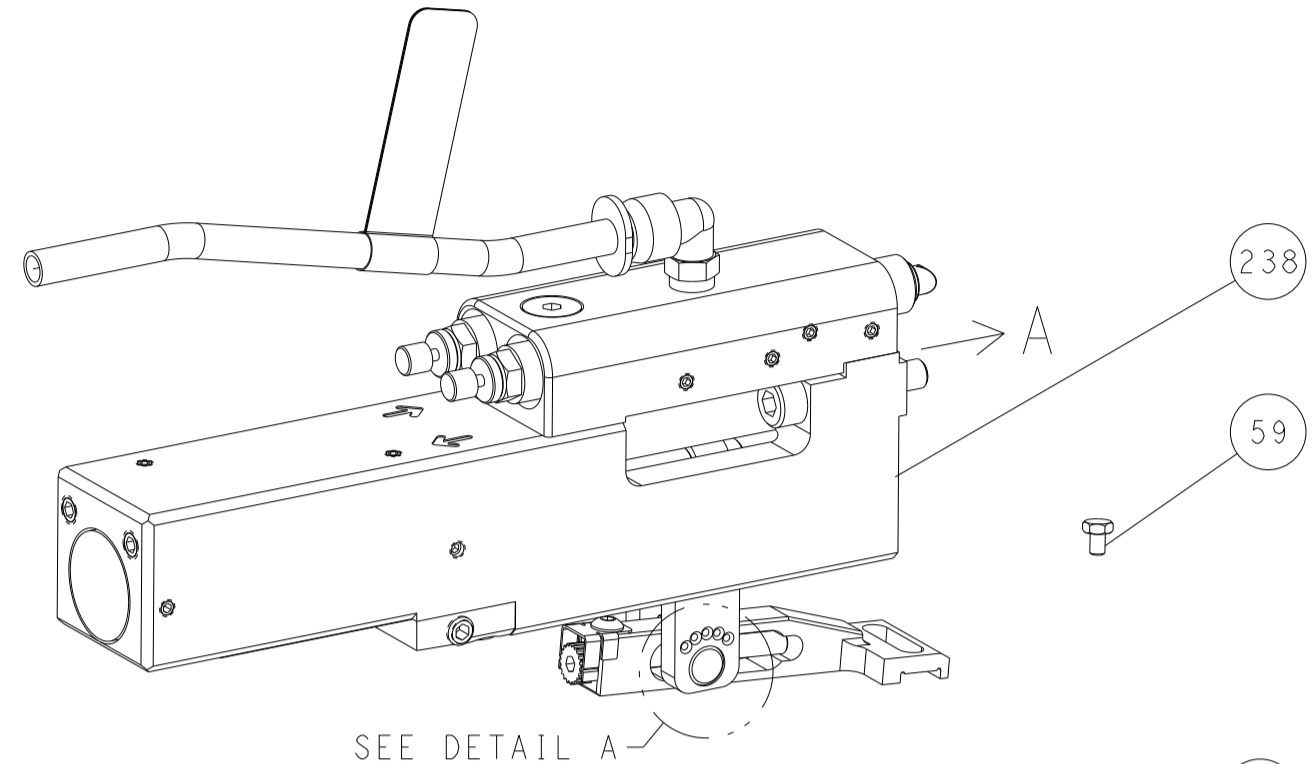
PACIFIC VERSION
 Shown on sheets 3 of 4 & 4 of 4
 (Atlantic version shown on sheets 1 of 4 & 2 of 4)

DIMENSIONS: mm		TOLERANCES UNLESS OTHERWISE SPECIFIED:		DWG C. CHEN 15DEC2011 CHK S. XI 15DEC2011 APVD I. CRUZ 15DEC2011	NAME Ocean Side Feed Applicator
		0 PLC ±	1 PLC ±		
MATERIAL		2 PLC ±	3 PLC ±	4 PLC ±	5 PLC ±
ANGLES		FINISH		WEIGHT	SIZE
				00779	CAGE CODE
				00779	DRAWING NO
				00779	SCALE
				00779	SHEET
				00779	OF
				00779	REV

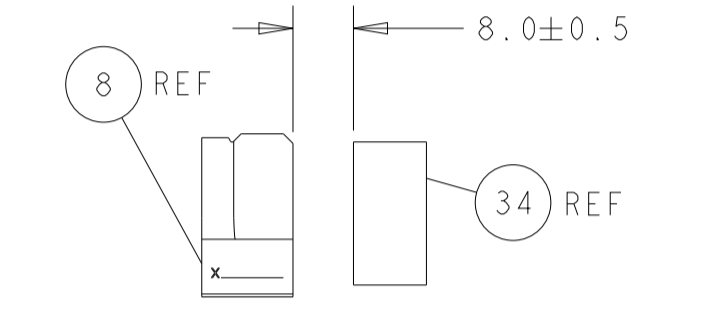
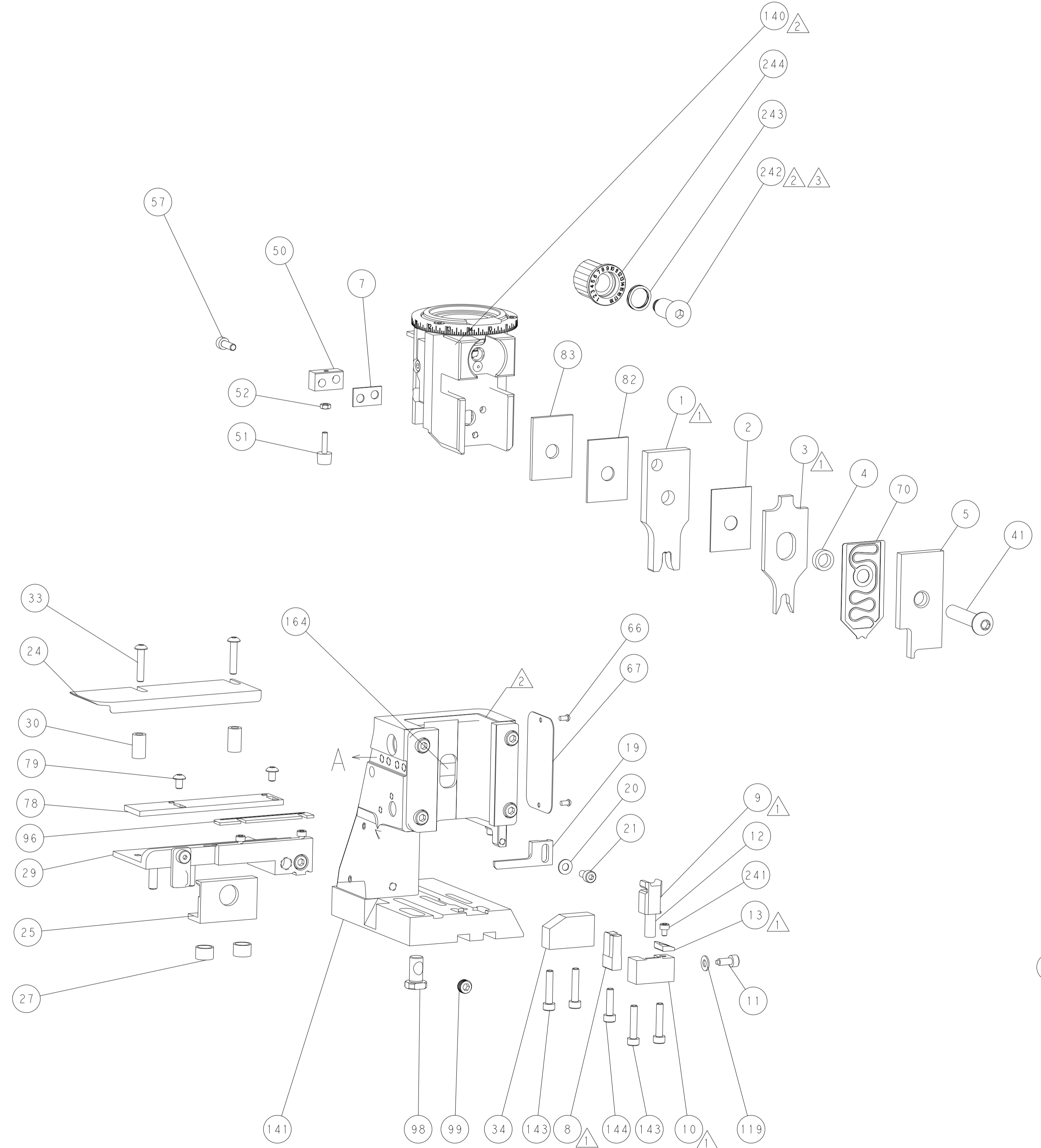
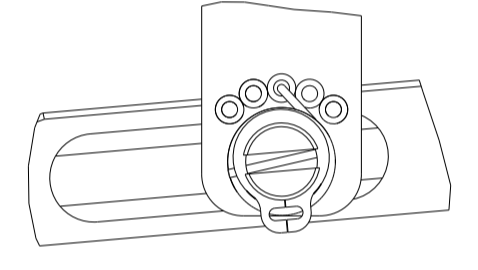
LOC	DIST	REVISIONS			
A	66	REV	DATE	BY	APPROV
-	-	SEE SHEET 1	-	-	-

FEED TYPE

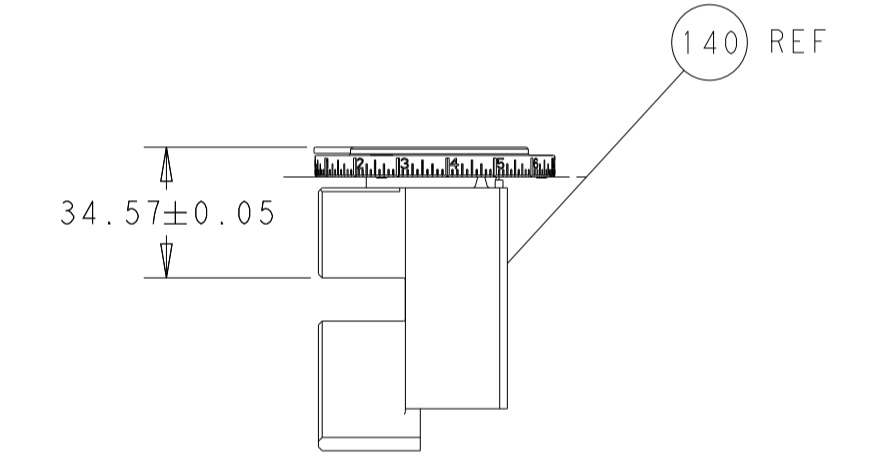
PNEUMATIC



FEED SPRING SETTING POSITION (SHOWN FROM REAR SIDE)

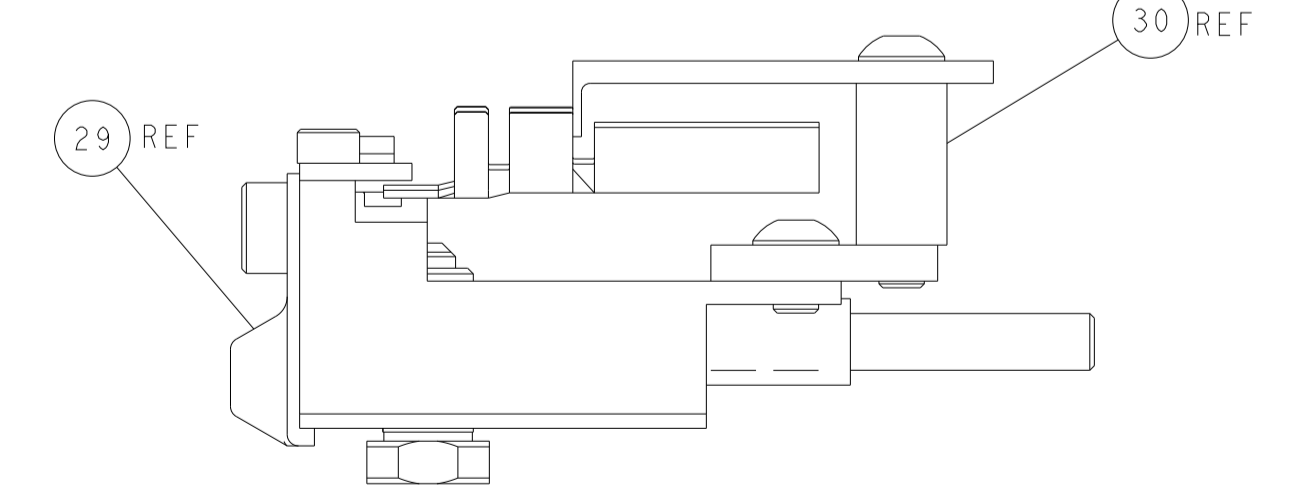


TERMINAL SUPPORT LOCATION



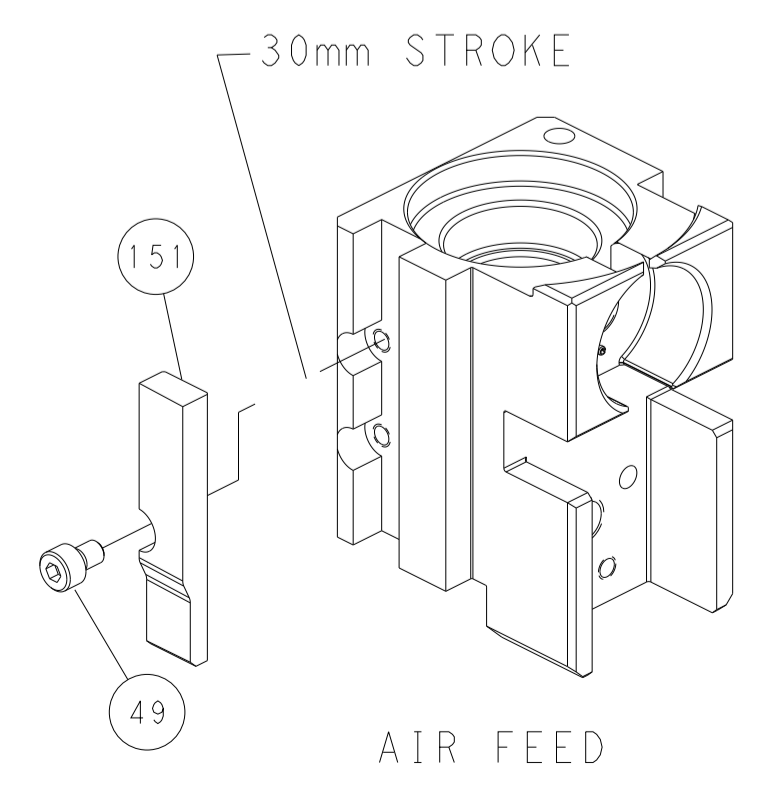
RAM SET-UP

ITEM 78 LOCATED AT REAR HOLES



FEED TRACK POSITION GUIDE BY WIRE BARREL

CAM POSITION



PACIFIC VERSION
 Shown on sheets 3 of 4 & 4 of 4
 (Atlantic version shown on sheets 1 of 4 & 2 of 4)

<small>THIS DRAWING IS UNPUBLISHED. RELEASED FOR PUBLICATION BY TYCO ELECTRONICS CORPORATION. ALL RIGHTS RESERVED.</small>		DWN C. CHEN 15DEC2011 CHK S. XI 15DEC2011 APVD J. CRUZ 15DEC2011	TE Connectivity Harrisburg, PA 17105-3608
DIMENSIONS: mm TOLERANCES UNLESS OTHERWISE SPECIFIED: 0 PLC ± 1 PLC ± 2 PLC ± 3 PLC ± 4 PLC ± ANGLES ° ± FINISH		NAME Ocean Side Feed Applier PRODUCT SPEC APPLICATION SPEC SIZE CAGE CODE DRAWING NO A1 00779 C-2151411	RESTRICTED TO SCALE 1:2 SHEET 4 OF 4 REV K1
MATERIAL:		WEIGHT:	Customer Accessible Production Drawing

单击下面可查看定价，库存，交付和生命周期等信息

[>>TE Connectivity\(泰科\)](#)