

4

3

2

1

THIS DRAWING IS UNPUBLISHED. RELEASED FOR PUBLICATION 20  
 © COPYRIGHT 20 BY - ALL RIGHTS RESERVED.

REVISIONS				
P	LTR	DESCRIPTION	DATE	APVD
A		INITIAL	30DEC2016	DL CW
A1		ECR-16-018258	30DEC2016	BS CW
B		ECR-18-016391	22OCT2018	GY CW
C		ECR-20-014876	21JUL2021	WOR CW

TYPE I: HIGH CONSTRUCTION + STATINLESS STELL LOCKING.  
 类型 I: 高结构+不锈钢双扣.

NOTES:

1. TECHNICAL CHARACTERISTICS:  
 HOUSING MATERIAL: DIE CAST ALUMINIUM ALLOY  
 HOUSING SURFACE: POWDER COATED, GREY  
 DEGREE OF PROTECTION: IP65 (MATED)

注释:

1. 技术参数:  
 下壳材料: 铝合金  
 下壳表面处理: 灰色粉末喷涂  
 防护等级: IP65(配合)

PG/M  
THREAD-2  
螺纹孔-2

T1470241121-000	H24B-SGRHS-PG21	H24B HOUSING, SURFACE MOUNTED, STAINLESS STEEL DOUBLE LOCKING, PG21, HIGH CONSTRUCTION, POWDER COATED, GREY H24B下壳, 表面安装, 不锈钢双扣, PG21, 高结构, 灰色粉末喷涂	PG21	-	TYPE I 类型 I
T1470241129-000	H24B-SGRHS-PG29	H24B HOUSING, SURFACE MOUNTED, STAINLESS STEEL DOUBLE LOCKING, PG29, HIGH CONSTRUCTION, POWDER COATED, GREY H24B下壳, 表面安装, 不锈钢双扣, PG29, 高结构, 灰色粉末喷涂	PG29	-	
T1470241132-000	H24B-SGRHS-M32	H24B HOUSING, SURFACE MOUNTED, STAINLESS STEEL DOUBLE LOCKING, M32, HIGH CONSTRUCTION, POWDER COATED, GREY H24B下壳, 表面安装, 不锈钢双扣, M32, 高结构, 灰色粉末喷涂	M32	-	
T1470241221-000	H24B-SGRHS-2PG21	H24B HOUSING, SURFACE MOUNTED, STAINLESS STEEL DOUBLE LOCKING, 2PG21, HIGH CONSTRUCTION, POWDER COATED, GREY H24B下壳, 表面安装, 不锈钢双扣, 2PG21, 高结构, 灰色粉末喷涂	PG21	PG21	
T1470241229-000	H24B-SGRHS-2PG29	H24B HOUSING, SURFACE MOUNTED, STAINLESS STEEL DOUBLE LOCKING, 2PG29, HIGH CONSTRUCTION, POWDER COATED, GREY H24B下壳, 表面安装, 不锈钢双扣, 2PG29, 高结构, 灰色粉末喷涂	PG29	PG29	
T1470241232-000	H24B-SGRHS-2M32	H24B HOUSING, SURFACE MOUNTED, STAINLESS STEEL DOUBLE LOCKING, 2M32, HIGH CONSTRUCTION, POWDER COATED, GREY H24B下壳, 表面安装, 不锈钢双扣, 2M32, 高结构, 灰色粉末喷涂	M32	M32	
PART NUMBER 料号	PART DESCRIPTION 描述	PG/M THREAD-1 螺纹孔-1	PG/M THREAD-2 螺纹孔-2	TYPE 类型	

THIS DRAWING IS A CONTROLLED DOCUMENT.		DWN DAVID LI 17JUN2015	TE Connectivity	
DIMENSIONS: mm		CHK CHRIS WANG 17JUN2015		
TOLERANCES UNLESS OTHERWISE SPECIFIED:		APVD XU XIANG 17JUN2015	NAME H24B-SGRHS-PG/M	
0 PLC ±		PRODUCT SPEC 108-137013	SIZE A2	
1 PLC ±		APPLICATION SPEC 114-137013	CAGE CODE -	
2 PLC ±		WEIGHT -	DRAWING NO. C-T147024XXXX000	
3 PLC ±		CUSTOMER DRAWING	RESTRICTED TO	
4 PLC ±		SCALE 4:5	SHEET 1 OF 2	
ANGLES ±			REV C	
FINISH -				
MATERIAL TBD				

1471-9 (3/13)

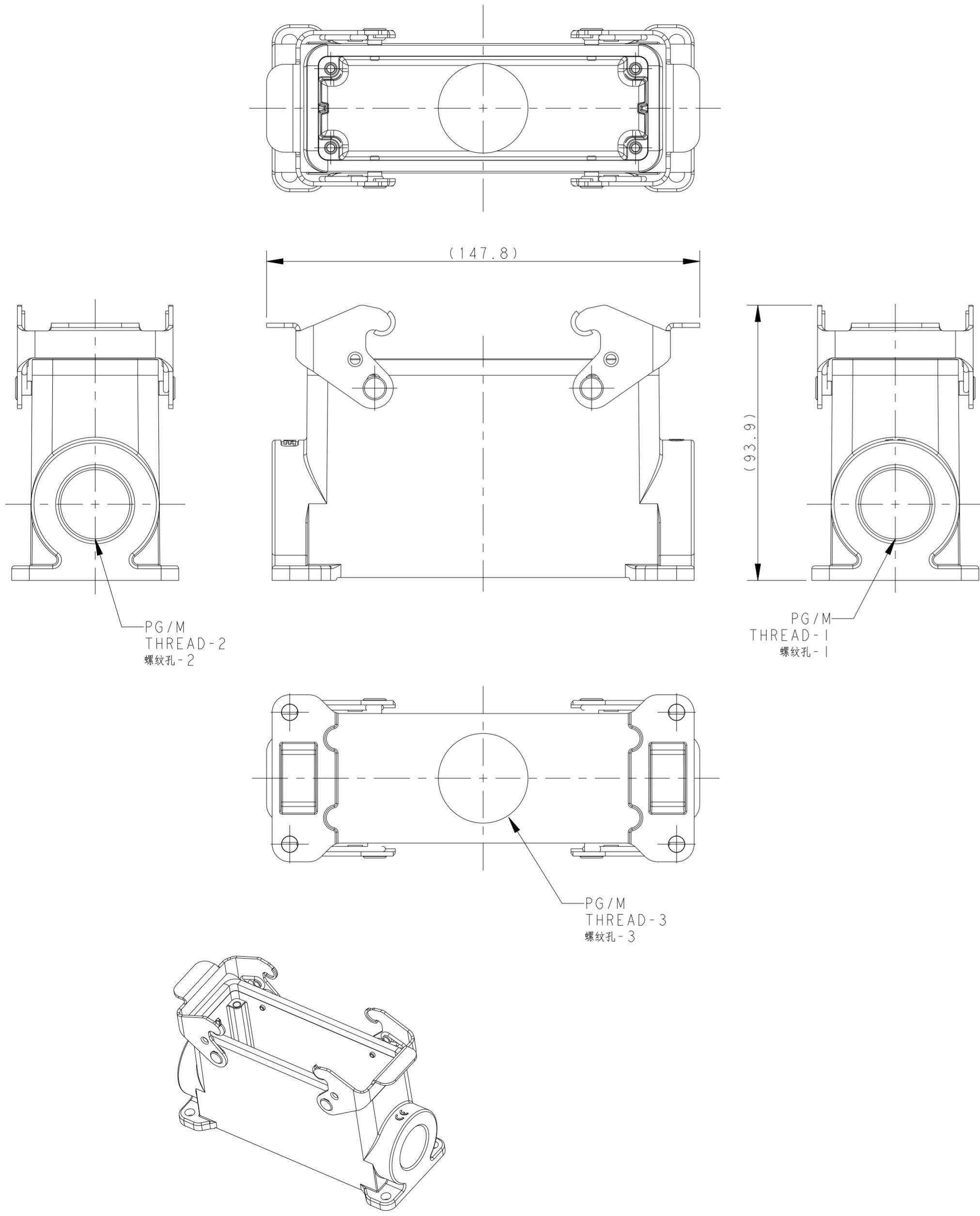
Downloaded From [Onevac.com](http://Onevac.com)

THIS DRAWING IS UNPUBLISHED. RELEASED FOR PUBLICATION 20  
 © COPYRIGHT 20 BY - ALL RIGHTS RESERVED.

REVISIONS					
P	LTR	DESCRIPTION	DATE	DWN	APVD
-		SEE SHEET 1	-	-	-

TYPE 2: HIGH CONSTRUCTION + STEEL LOCKING, OTHER SPEC REFER TO TYPE 1.  
 类型2: 高结构+彩锌双扣, 其他规格参照类型1.

NOTES:  
SEE SHEET 1



PART NUMBER	PART DESCRIPTION	PG/M THREAD-1 螺纹孔-1	PG/M THREAD-2 螺纹孔-2	PG/M THREAD-3 螺纹孔-3	TYPE 类型
T1470242121-000	H24B-SGRH-PG21 H24B HOUSING, SURFACE MOUNTED, METAL DOUBLE LOCKING, PG21, HIGH CONSTRUCTION, POWDER COATED, GREY H24B下壳, 表面安装, 彩锌双扣, PG21, 高结构, 灰色粉末喷涂				
T1470242125-000	H24B-SGRH-M25 H24B HOUSING, SURFACE MOUNTED, METAL DOUBLE LOCKING, M25, HIGH CONSTRUCTION, POWDER COATED, GREY H24B下壳, 表面安装, 彩锌双扣, M25, 高结构, 灰色粉末喷涂				
T1470242129-000	H24B-SGRH-PG29 H24B HOUSING, SURFACE MOUNTED, METAL DOUBLE LOCKING, PG29, HIGH CONSTRUCTION, POWDER COATED, GREY H24B下壳, 表面安装, 彩锌双扣, PG29, 高结构, 灰色粉末喷涂				
T1470242132-000	H24B-SGRH-M32 H24B HOUSING, SURFACE MOUNTED, METAL DOUBLE LOCKING, M32, HIGH CONSTRUCTION, POWDER COATED, GREY H24B下壳, 表面安装, 彩锌双扣, M32, 高结构, 灰色粉末喷涂				
T1470242221-000	H24B-SGRH-2PG21 H24B HOUSING, SURFACE MOUNTED, METAL DOUBLE LOCKING, 2PG21, HIGH CONSTRUCTION, POWDER COATED, GREY H24B下壳, 表面安装, 彩锌双扣, 2PG21, 高结构, 灰色粉末喷涂				
T1470242225-000	H24B-SGRH-2M25 H24B HOUSING, SURFACE MOUNTED, METAL DOUBLE LOCKING, 2M25, HIGH CONSTRUCTION, POWDER COATED, GREY H24B下壳, 表面安装, 彩锌双扣, 2M25, 高结构, 灰色粉末喷涂				
T1470242229-000	H24B-SGRH-2PG29 H24B HOUSING, SURFACE MOUNTED, METAL DOUBLE LOCKING, 2PG29, HIGH CONSTRUCTION, POWDER COATED, GREY H24B下壳, 表面安装, 彩锌双扣, 2PG29, 高结构, 灰色粉末喷涂				
T1470242232-000	H24B-SGRH-2M32 H24B HOUSING, SURFACE MOUNTED, METAL DOUBLE LOCKING, 2M32, HIGH CONSTRUCTION, POWDER COATED, GREY H24B下壳, 表面安装, 彩锌双扣, 2M32, 高结构, 灰色粉末喷涂				
T1470242921-000	H24B-SGRH-PG21/PG29 H24B HOUSING, SURFACE MOUNTED, METAL DOUBLE LOCKING, PG21/PG29, HIGH CONSTRUCTION, POWDER COATED, GREY H24B下壳, 表面安装, 彩锌双扣, PG21/PG29, 高结构, 灰色粉末喷涂				
T1470242932-000	H24B-SGRH-PG29/M32 H24B HOUSING, SURFACE MOUNTED, METAL DOUBLE LOCKING, PG29/M32, HIGH CONSTRUCTION, POWDER COATED, GREY H24B下壳, 表面安装, 彩锌双扣, PG29/M32, 高结构, 灰色粉末喷涂				
T1470243216-000	H24B-SGRH-M32/M16 H24B HOUSING, SURFACE MOUNTED, METAL DOUBLE LOCKING, M32/M16, HIGH CONSTRUCTION, POWDER COATED, GREY H24B下壳, 表面安装, 彩锌双扣, M32/M16, 高结构, 灰色粉末喷涂				
T1470242229-001	H24B-SGRH-2PG29/M32 H24B HOUSING, SURFACE MOUNTED, METAL DOUBLE LOCKING, 2PG29, BOTTOM ENTRY M32, HIGH CONSTRUCTION, POWDER COATED, GREY H24B下壳, 表面安装, 彩锌双扣, 2PG29, 底出M32, 高结构, 灰色粉末喷涂				

THIS DRAWING IS A CONTROLLED DOCUMENT.

DAVID LI 17JUN2015  
 CHRIS WANG 17JUN2015  
 XU XIANG 17JUN2015

TE Connectivity

H24B-SGRH-PG/M

108-137013  
 114-137013

SIZE A2 CAGE CODE - DRAWING NO. C-T147024XXXX000 RESTRICTED TO

MATERIAL TBD FINISH - WEIGHT -

CUSTOMER DRAWING SCALE 1:2 SHEET 2 OF 2 REV C

单击下面可查看定价，库存，交付和生命周期等信息

[>>TE Connectivity\(泰科\)](#)