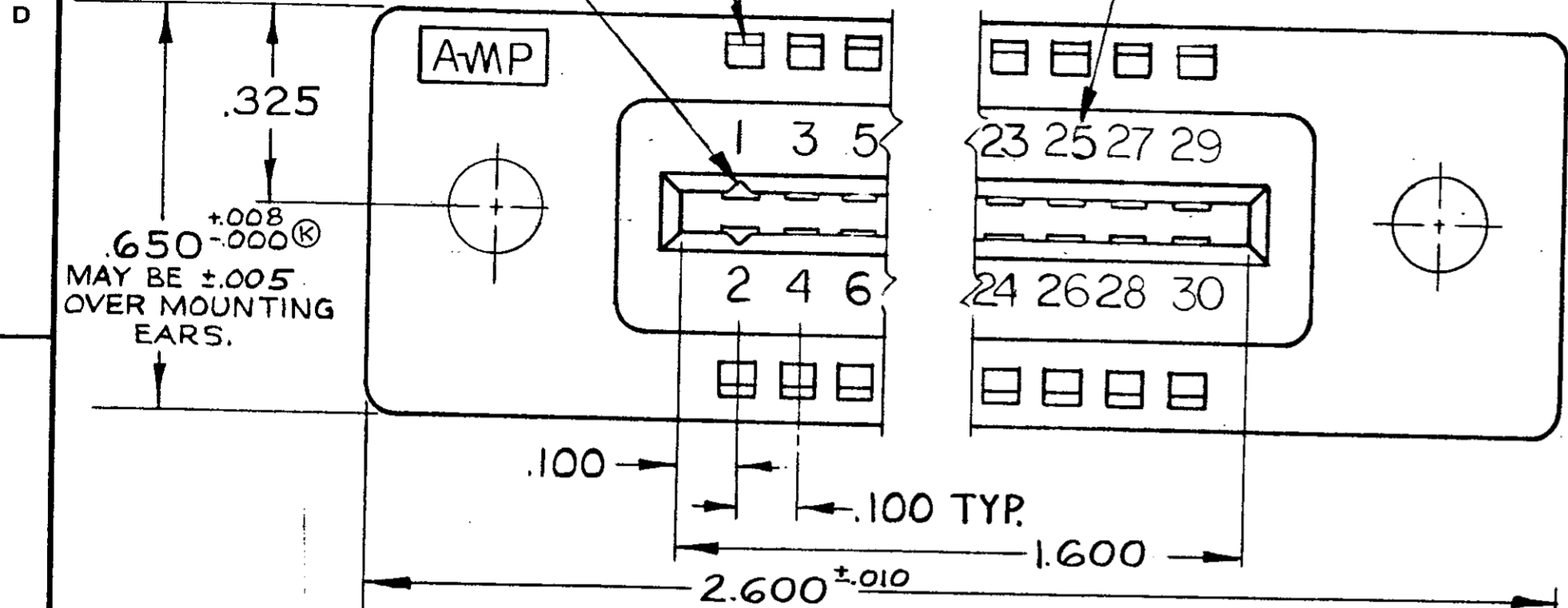


© 1962 BY AMP INCORPORATED. ALL RIGHTS RESERVED. AMP PRODUCTS COVERED BY PATENTS AND/OR PATENTS PENDING. APPROVED PER GOVT CONTRACT NO.

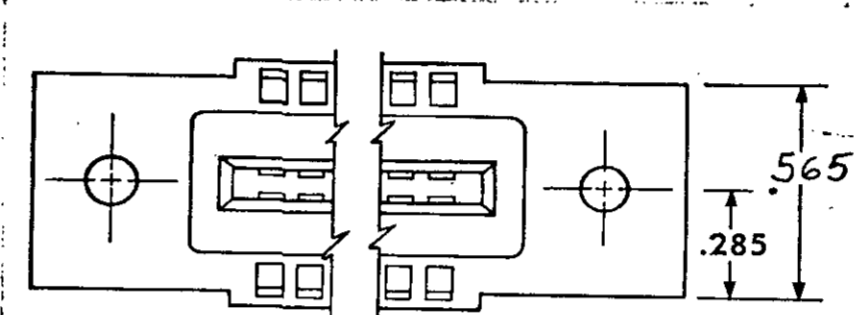
LOCATION FOR AMP-TAB FEMALE CONTACT

CAVITY IDENTIFICATION ON P/N (1) 582585-1 ONLY.

REVISIONS				
ZONE	LTR	DESCRIPTION	DATE	APPROVED
✓	5	REVISED PER 0600-3683-95	TA	10-95 JWARNER

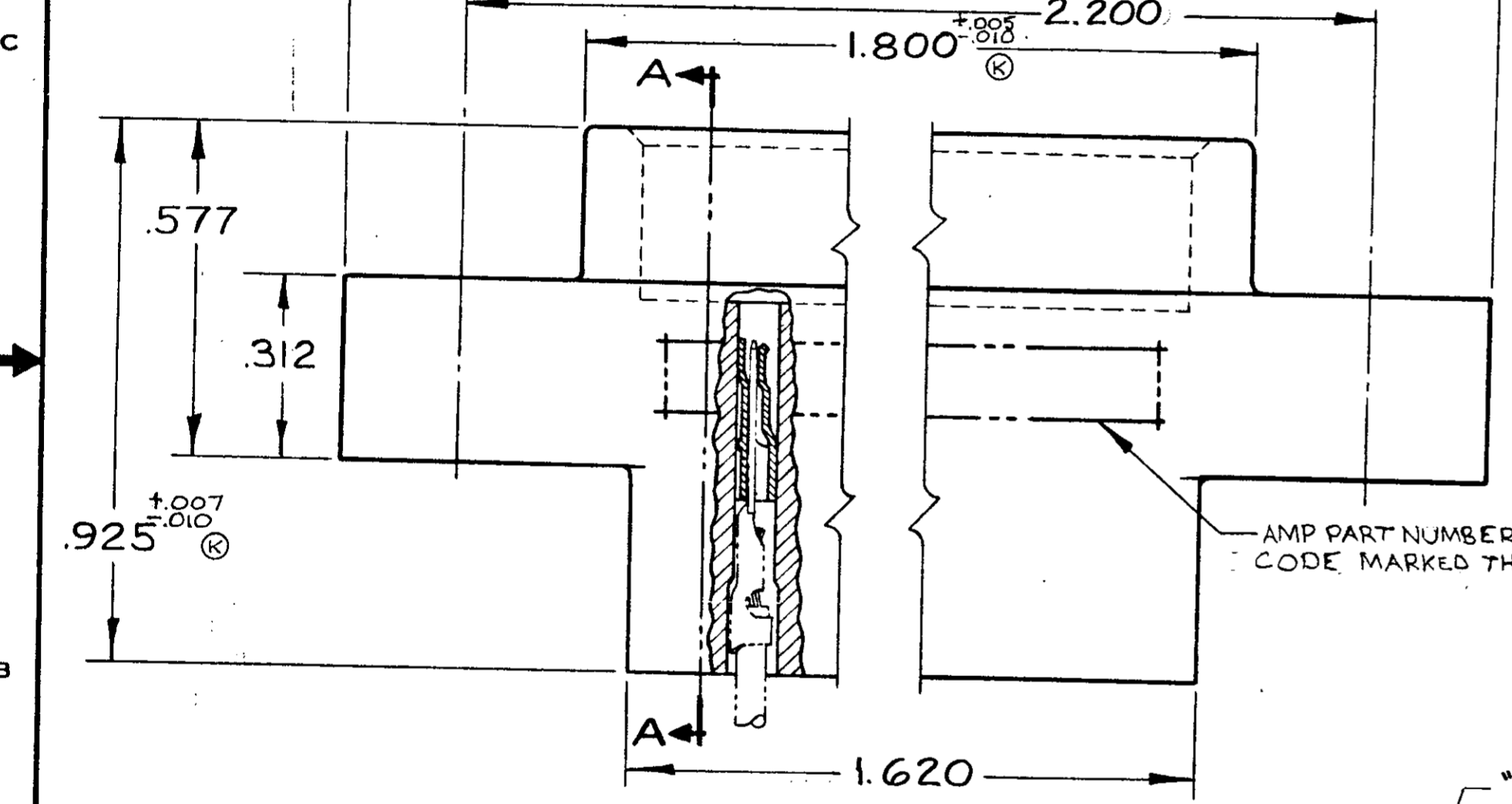


582585-1 1. AS SHOWN "J" DIA. HOLES = .128  
 OBSOLETE 582585-2 1. SAME AS 1 EXCEPT.  
 2. "J" DIA. HOLES = .156

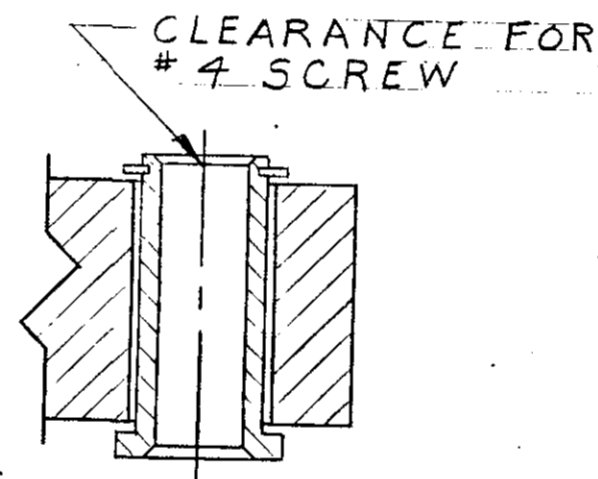


ALTERNATE MOUNTING EAR CONFIGURATION  $\Delta$

OBS  
~~582585-4 1. SAME AS -1 EXCEPT: FLOATING BUSHINGS~~  
 1) 582585-1 1. SAME AS -1 EXCEPT TO HAVE CAVITY IDENT. ON TOP SURFACE OF HOUSING.

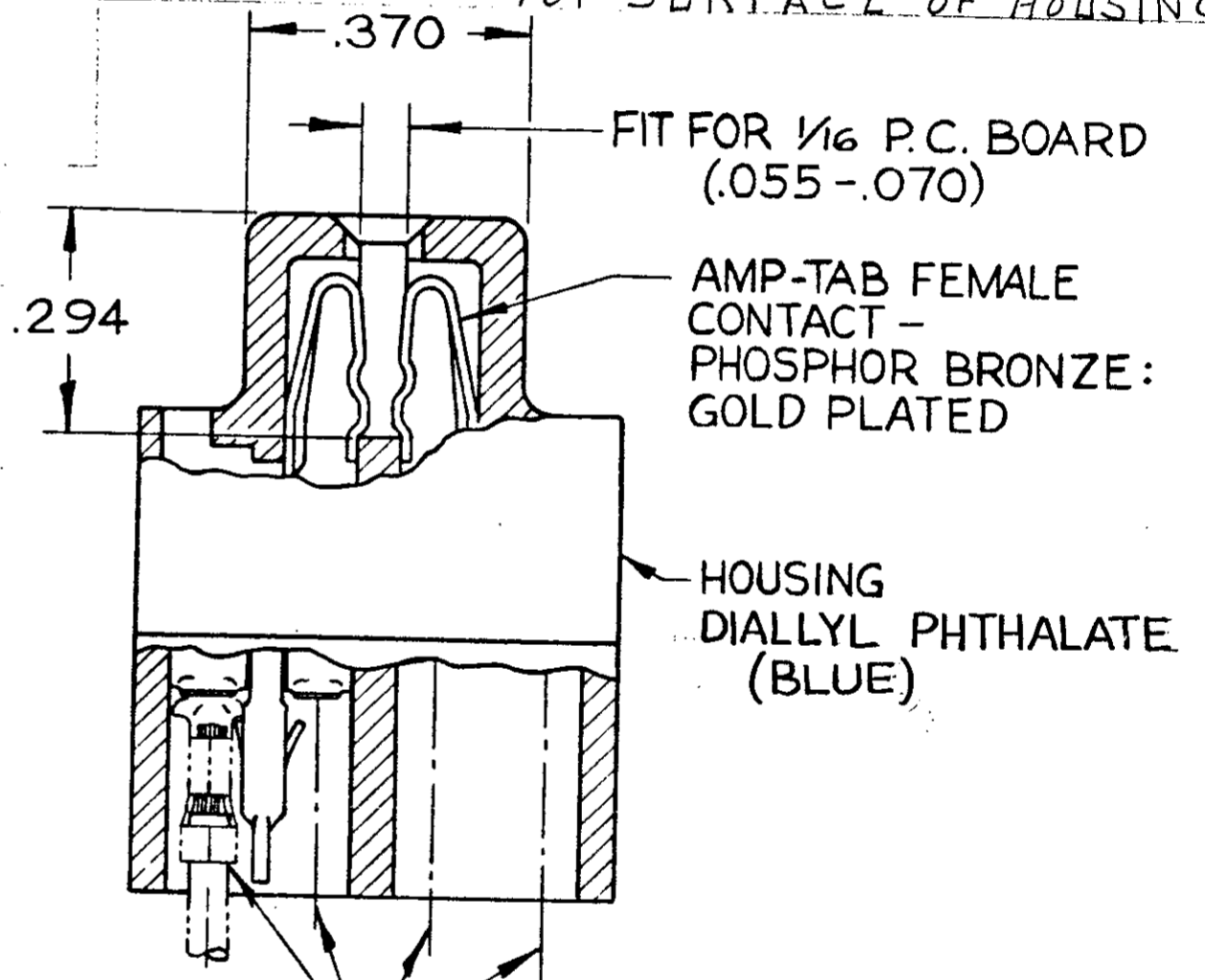


AMP PART NUMBER AND DATE CODE MARKED THIS AREA



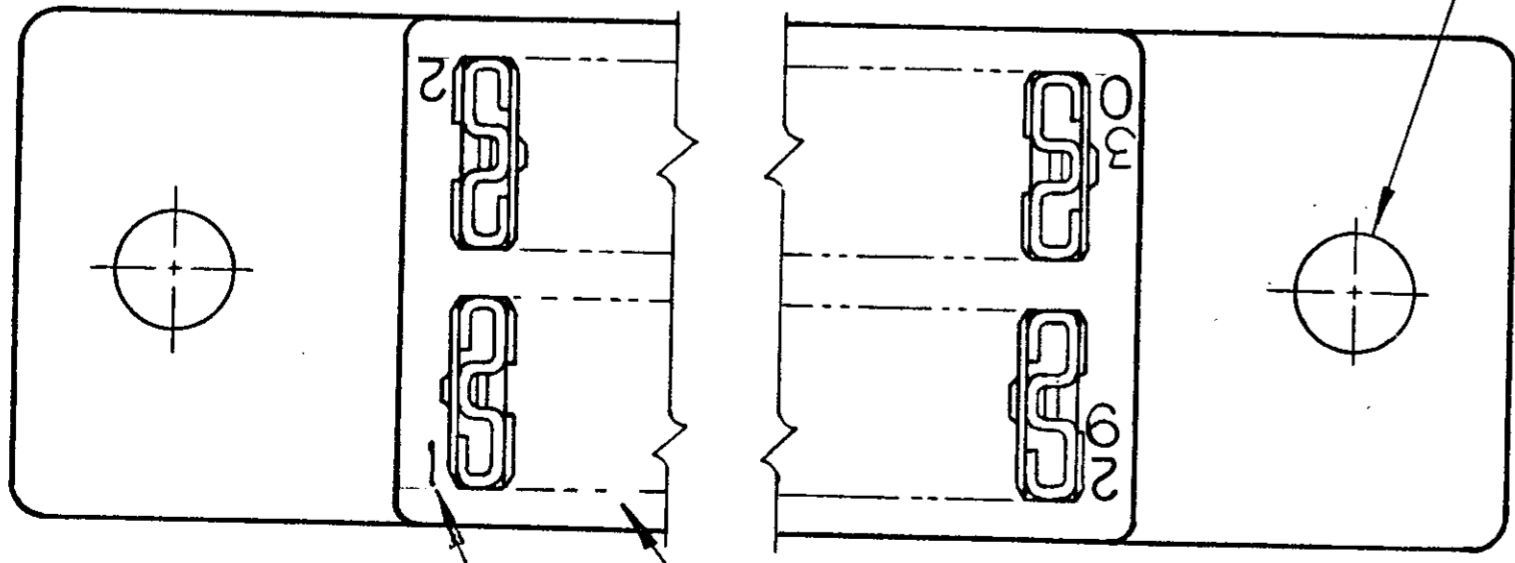
- 4 ONLY

±.003 (M)  
 "J" DIA. HOLES



SECTION A-A

- $\Delta$  GROOVES FOR "ON CONTACT KEYING" AMP'S OPTION DEPENDING ON METHOD OF MANUFACTURE. FOR "ON CONTACT" KEYING USE KEYING PLUG P/N 583487-1. (MUST BE ORDERED SEPARATELY.)
- $\Delta$  MOUNTING EAR CONFIGURATION AMP'S OPTION DEPENDS ON METHOD OF MANUFACTURE.



UNLESS OTHERWISE SPECIFIED		CONTRACT NO.		AMP INCORPORATED HARRISBURG, PENNSYLVANIA	
DIMENSIONS ARE IN INCHES		DR <i>J. Asick</i>		DATE 12-16-66	
FRACTIONS	DECIMALS	ANGLES	CHK <i>Woodburns</i>	DATE 1-5-67	NAME
±	±.005	±	DSGN ENGR	DATE	
MATERIAL		APPD <i>J. Kaufman</i>		DATE 1-11-67	15. POSITION AMP-TAB CONNECTOR .100 CENTERS QUAD
SEE CALLOUT		APPD <i>R. Showman</i>		DATE 1/10/67	
HEAT TREAT		DSGN APPD		SIZE	CODE IDENT NO
SEE CALLOUT		OTHER APPD		C	00779
				NUMBER	582585
				SCALE 4-1	WT CALC ACTUAL SHEET

AMP INFO	
LOC DF	PRINT/DIST FO

单击下面可查看定价，库存，交付和生命周期等信息

[>>TE Connectivity\(泰科\)](#)