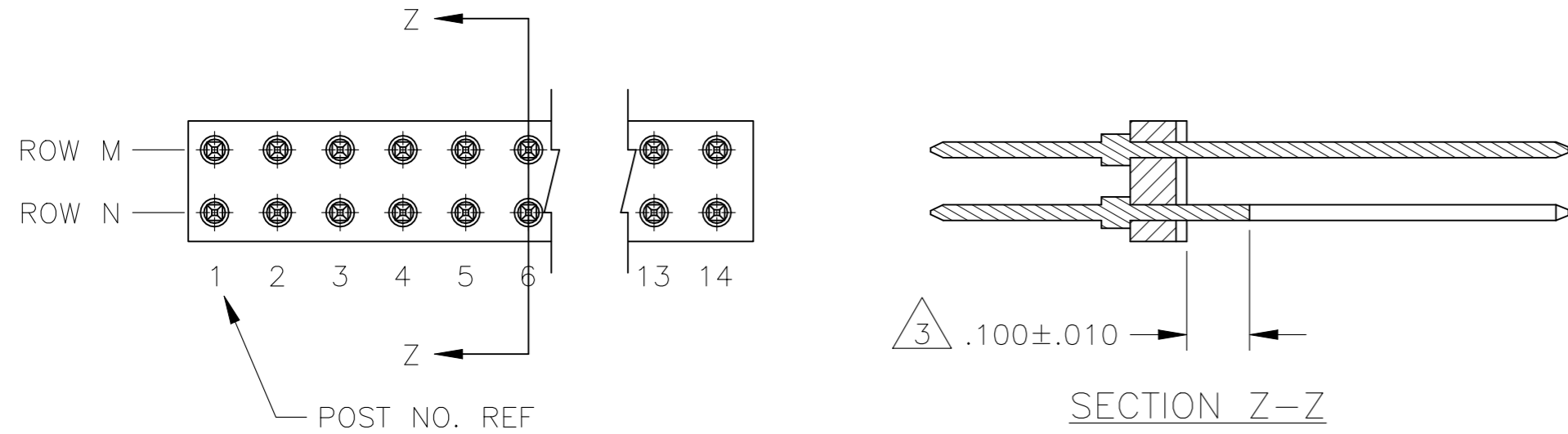
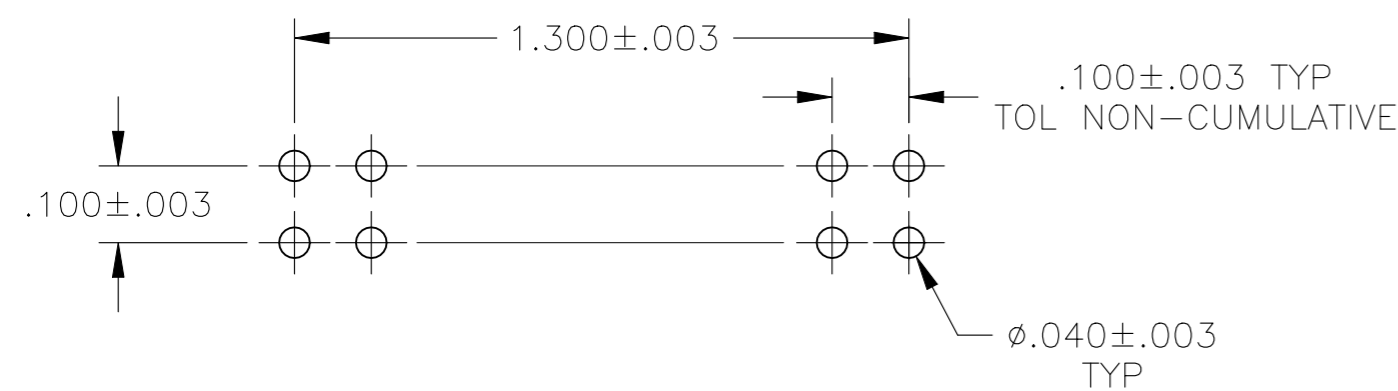
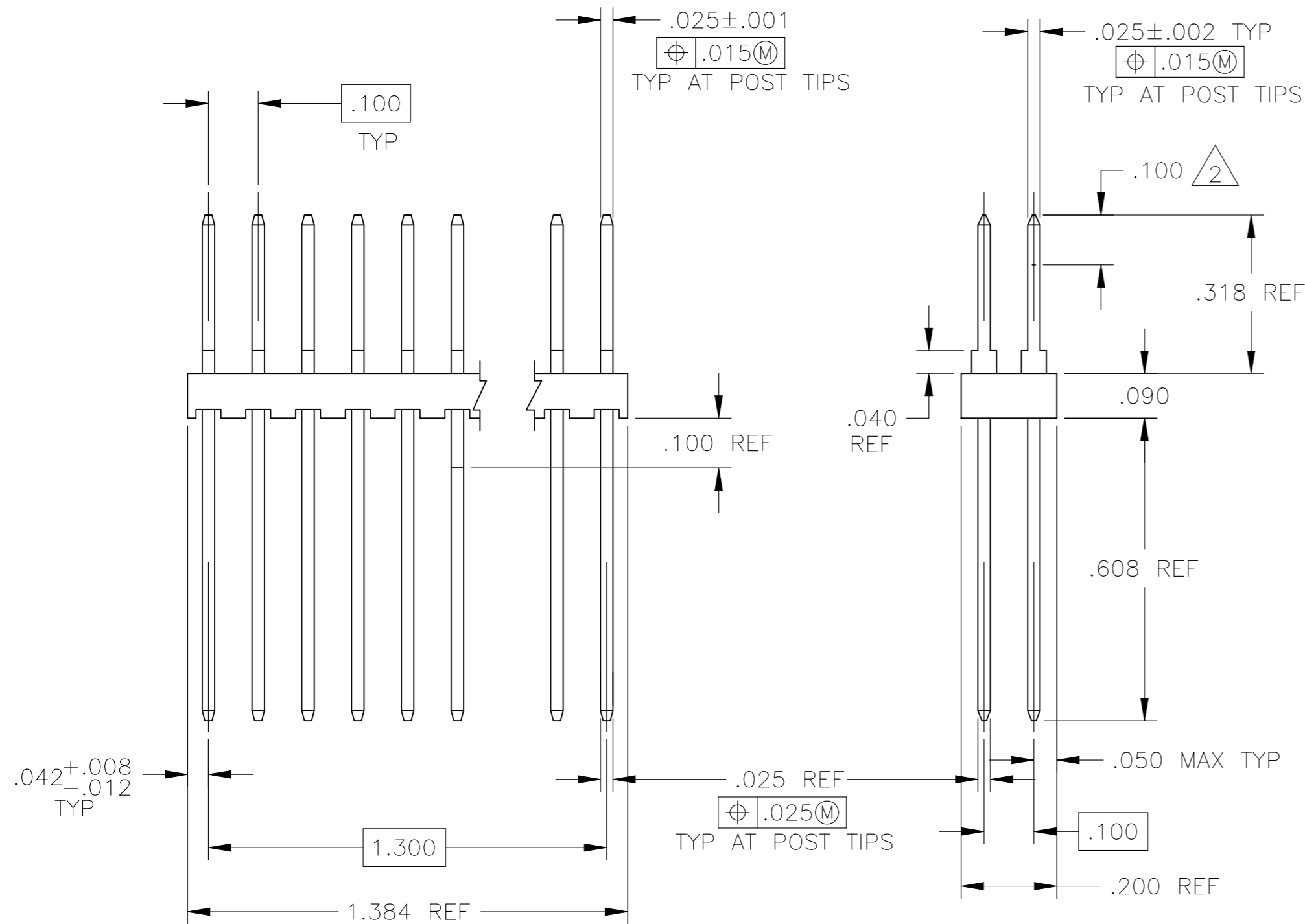


REVISIONS				
P	LTR	DESCRIPTION	DATE	APVD
B		PLASTIC MATERIAL SUPPLIER CHANGED FOR HOUSING	06MAY2021	SB KJK



1. TRUE POSITION OF POST TIPS APPLIES WHEN HEADERS ARE HELD FLAT AGAINST PRINTED CIRCUIT BOARD.
2. POINT OF MEASUREMENT FOR PLATING THICKNESS.
3. PIN N6 TO BE TRIMMED TO $.100 \pm .010$ LENGTH AS SHOWN
4. MATERIAL: HOUSING- FLAME RETARDANT THERMOPLASTIC, COLOR-BLACK
POSTS- PHOSPHOR BRONZE
5. FINISH: POSTS- $.000030$ GOLD OVER $.000050$ NICKEL



RECOMMENDED HOLE LAYOUT

28	1825646-1
NO OF POSN	ASSEMBLY PART NUMBER

THIS DRAWING IS A CONTROLLED DOCUMENT.		DWN R BROWN 24AUG2006		
DIMENSIONS: INCHES		CHK J GESFORD 24AUG2006		
TOLERANCES UNLESS OTHERWISE SPECIFIED:		APVD J GESFORD 24AUG2006	NAME	
0 PLC ± -	PRODUCT SPEC	HEADER ASSEMBLY, MOD II, VERTICAL, DOUBLE ROW, .100X.100		
1 PLC ± -	APPLICATION SPEC	-		
2 PLC ± -	WEIGHT	-		
3 PLC ± .005	SIZE	A2		
4 PLC ± -	CAGE CODE	00779		
ANGLES ± -	DRAWING NO	C=1825646		
FINISH	RESTRICTED TO	-		
ϕ	CUSTOMER DRAWING	SCALE 4:1 SHEET 1 of 1 REV B		

1825646

单击下面可查看定价，库存，交付和生命周期等信息

[>>TE Connectivity\(泰科\)](#)