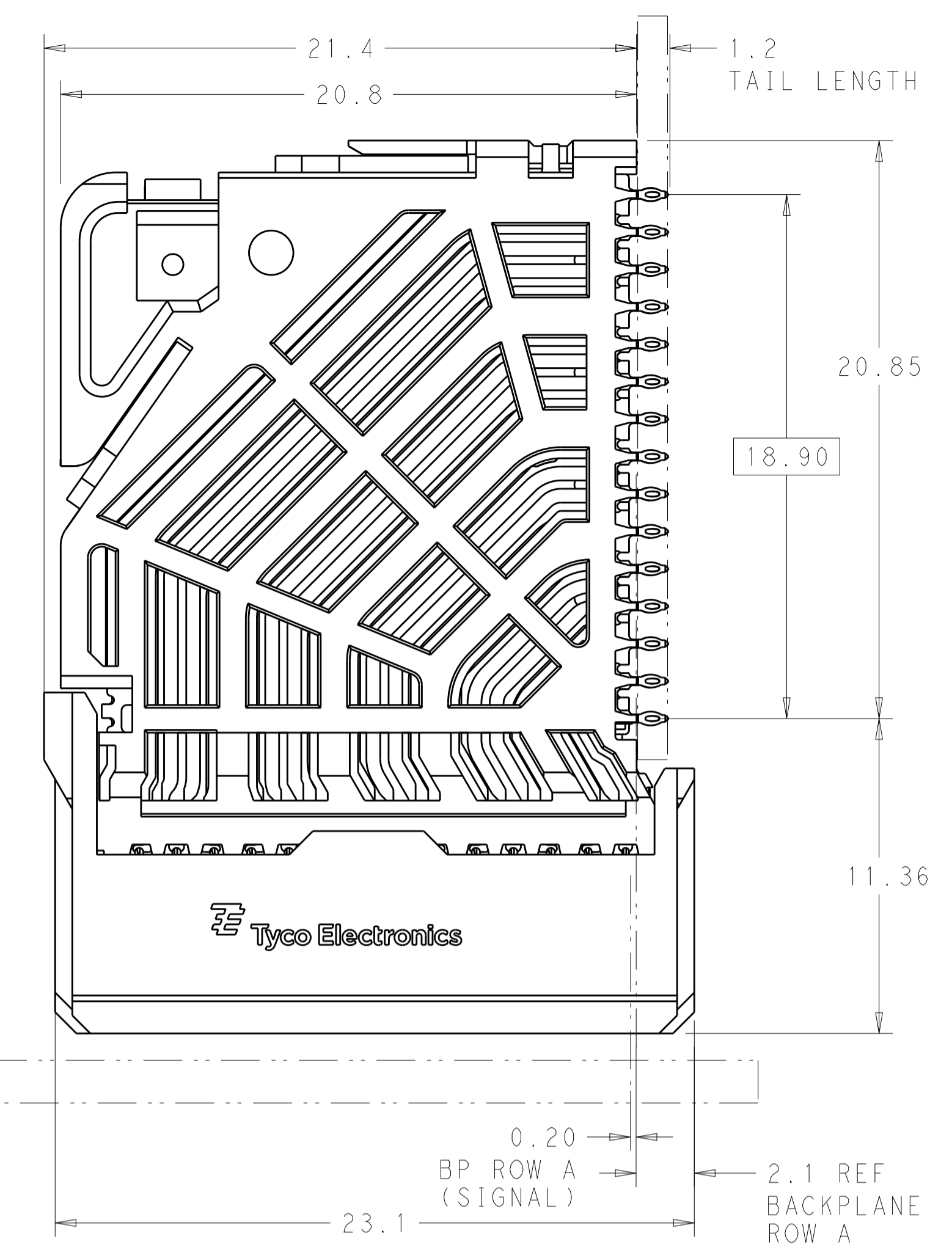
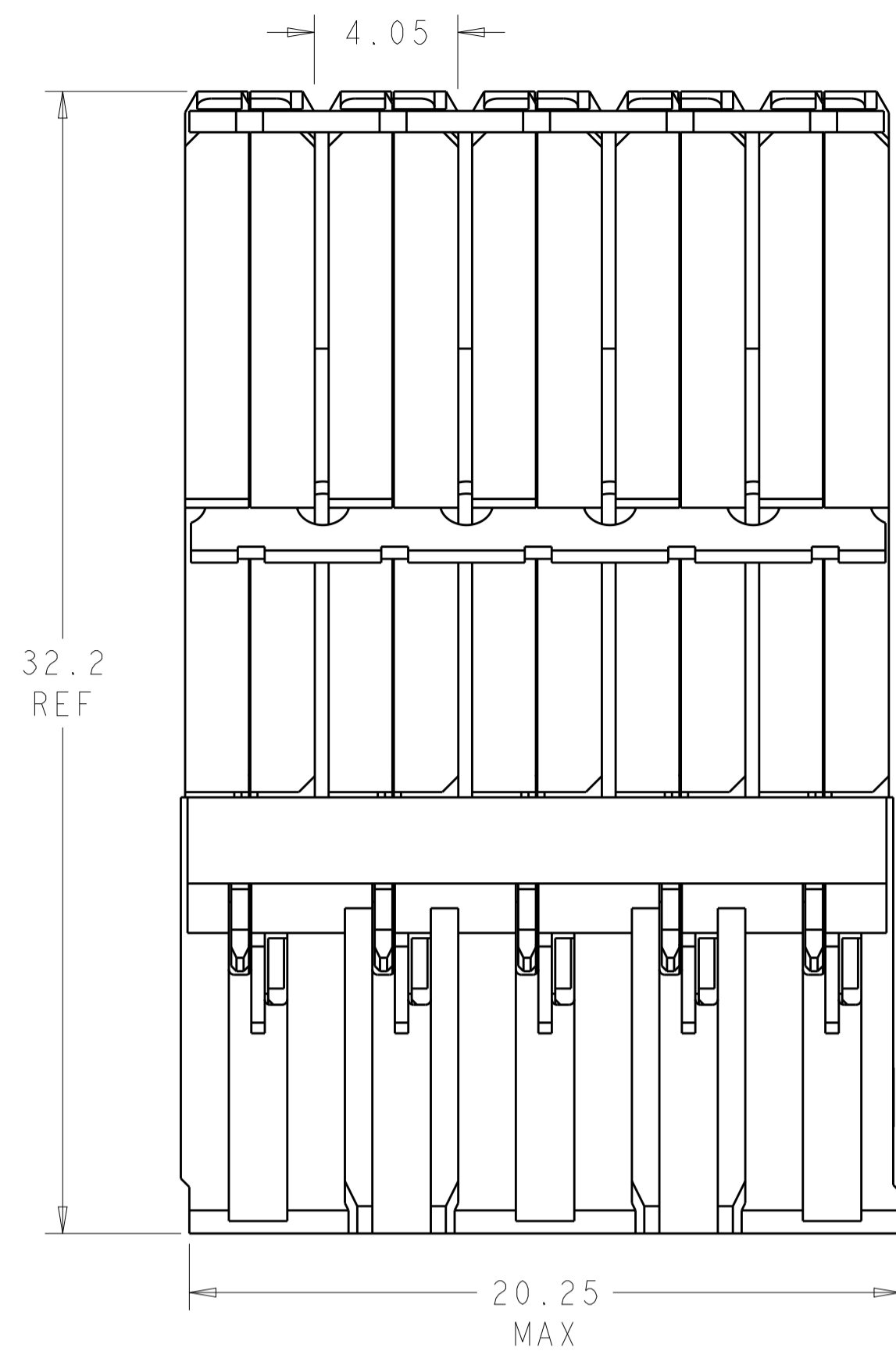
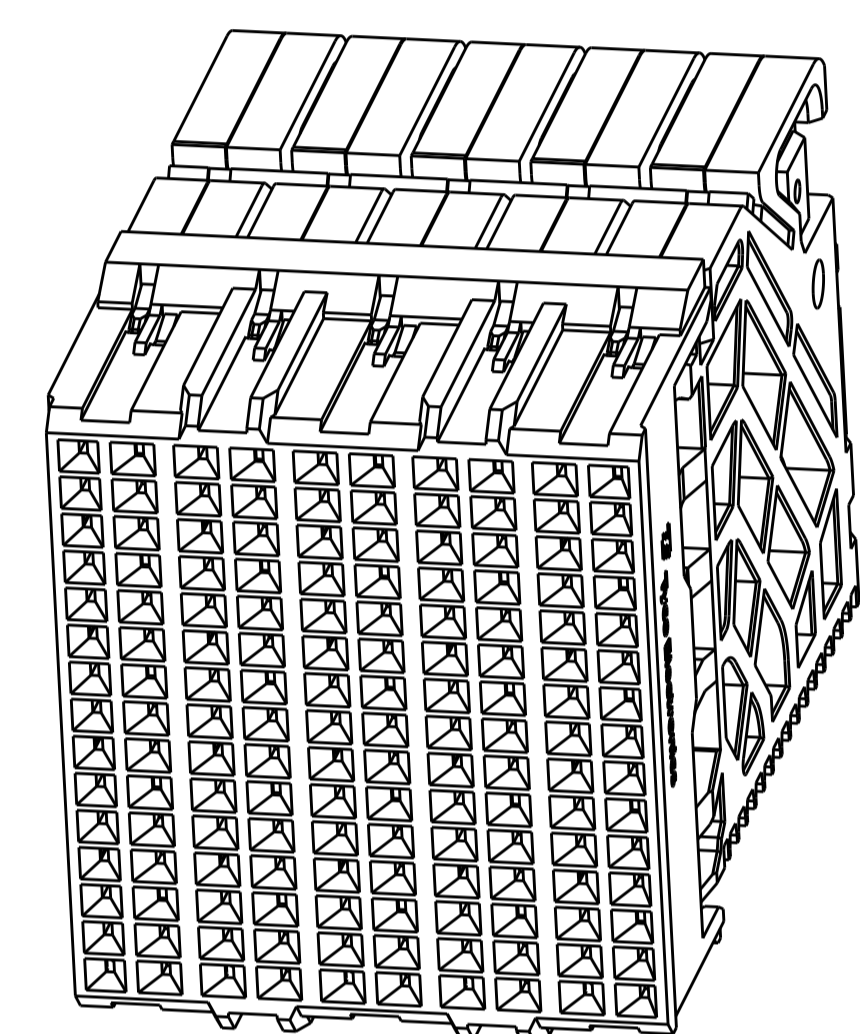


LOC	DIST	REVISIONS			
AD	00	REV	DATE	BY	APPV
		D	REVISED PER ECO-15-004915	10APR2015	AP DD



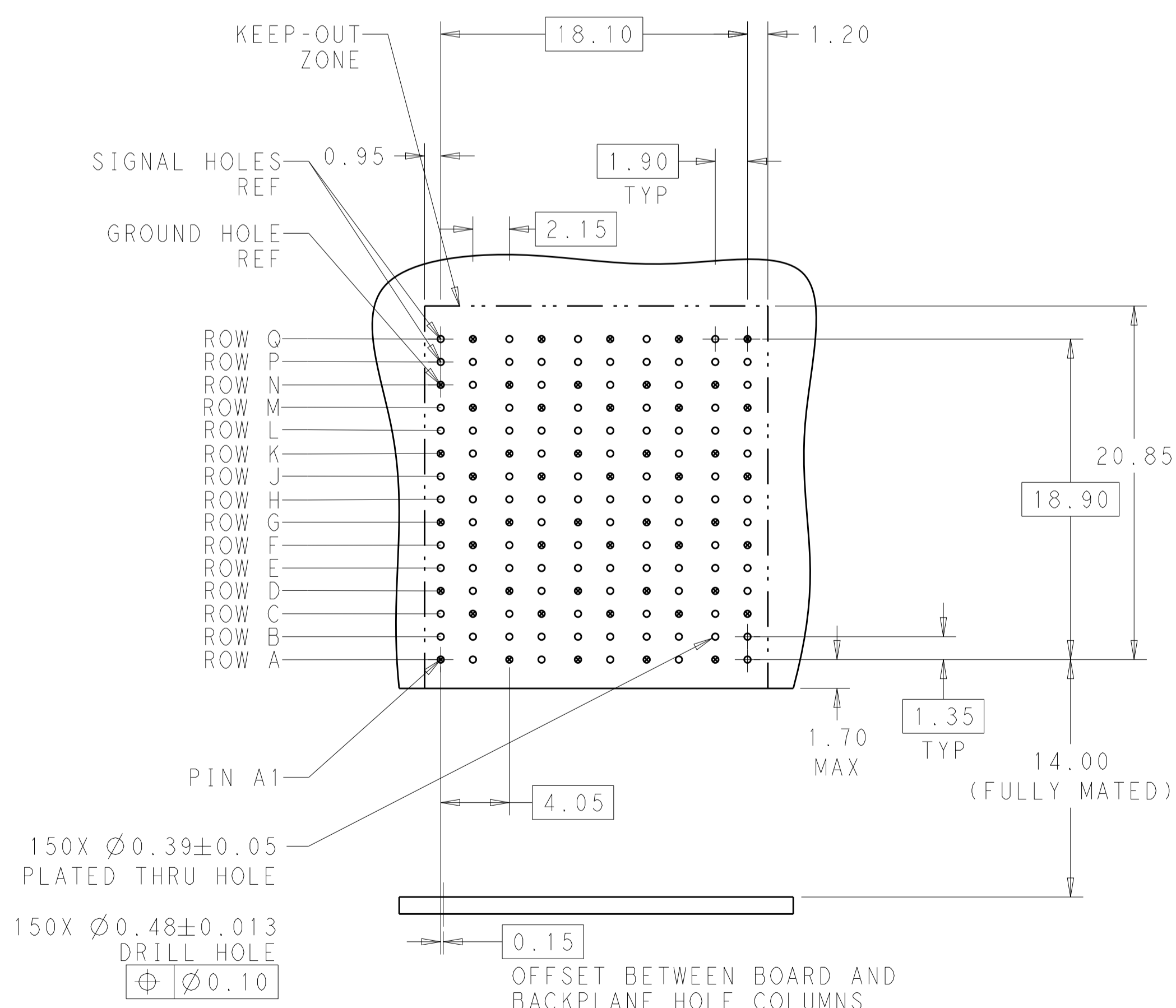
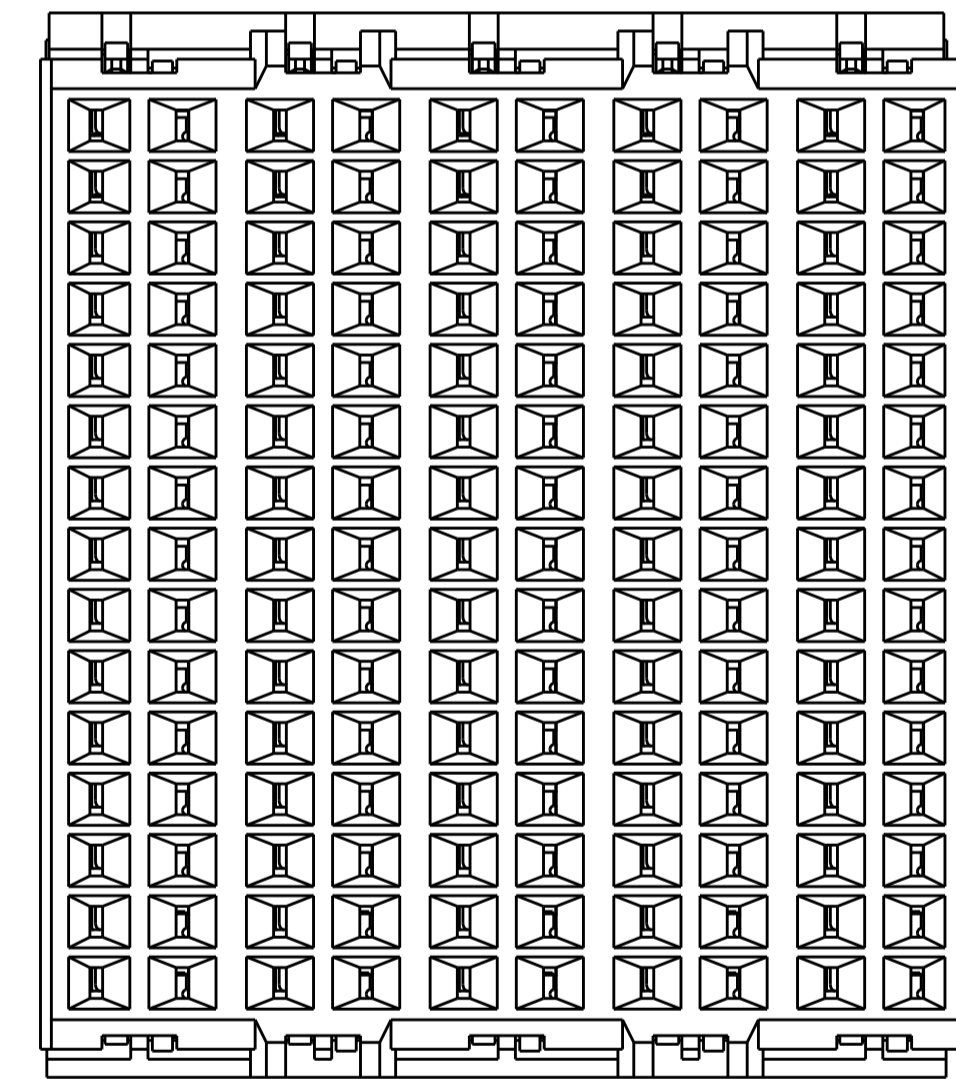
⚠ MATERIAL:
 HOUSING: LCP, GLASS FILLED, UL94V-0.
 TERMINALS: HIGH PERFORMANCE COPPER ALLOY.

⚠ FINISH:
 30µ" SELECTIVE GOLD IN CONTACT AREA. SELECTIVE TIN ON PCB TAILS, NICKEL OVERALL.



SCALE 4:1

REFER TO WWW.TE.COM FOR PRODUCT AVAILABILITY



RECOMMENDED PCB LAYOUT
 MIN BOARD THICKNESS 1.0

NONE	⚠	2132695-1
KEY POSITION	FINISH	PART NUMBER

THIS DRAWING IS A CONTROLLED DOCUMENT.		DWN - 29APR2011		NAME: IMPACT, ORTHOGONAL, 5 PAIR, DAUGHTERCARD, 10 COLUMN, NO GUIDE, SIGNAL MODULE, 0.39 EYELET SIZE: CAGE CODE DRAWING NO: A100779 ©=2132695 RESTRICTED TO:
DIMENSIONS:		CHK D. DIXON 29APR2011		
TOLERANCES UNLESS OTHERWISE SPECIFIED:		APVD D. DIXON 29APR2011		
mm 0 PLC ± 1 PLC ±0.25 2 PLC ±0.15 3 PLC ± 4 PLC ± ANGLES ±		PRODUCT SPEC APPLICATION SPEC WEIGHT CUSTOMER DRAWING		
MATERIAL: ⚠ SEE TABLE		SCALE 6:1	SHEET 1 OF 1	REV D

单击下面可查看定价，库存，交付和生命周期等信息

[>>TE Connectivity\(泰科\)](#)