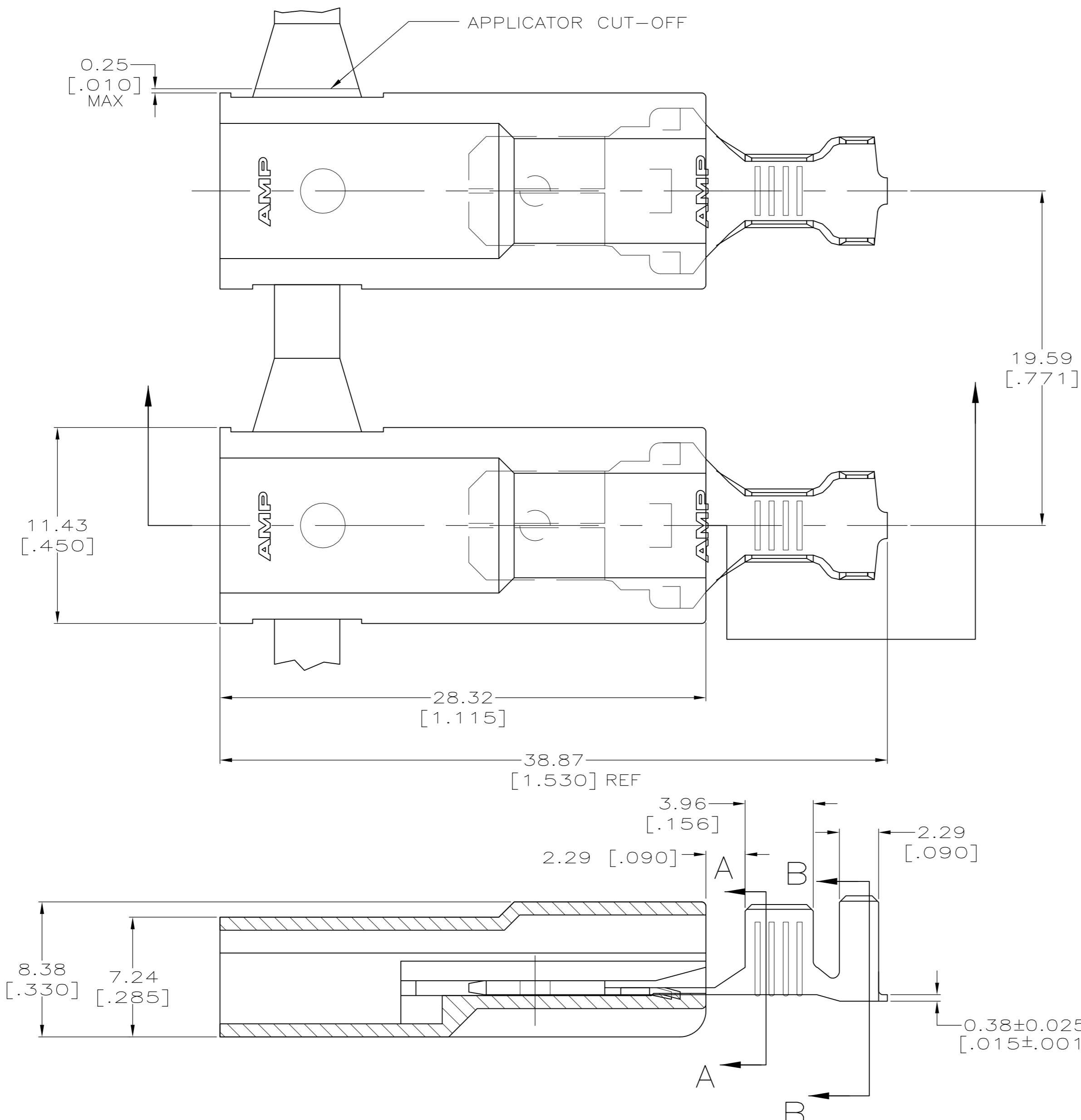


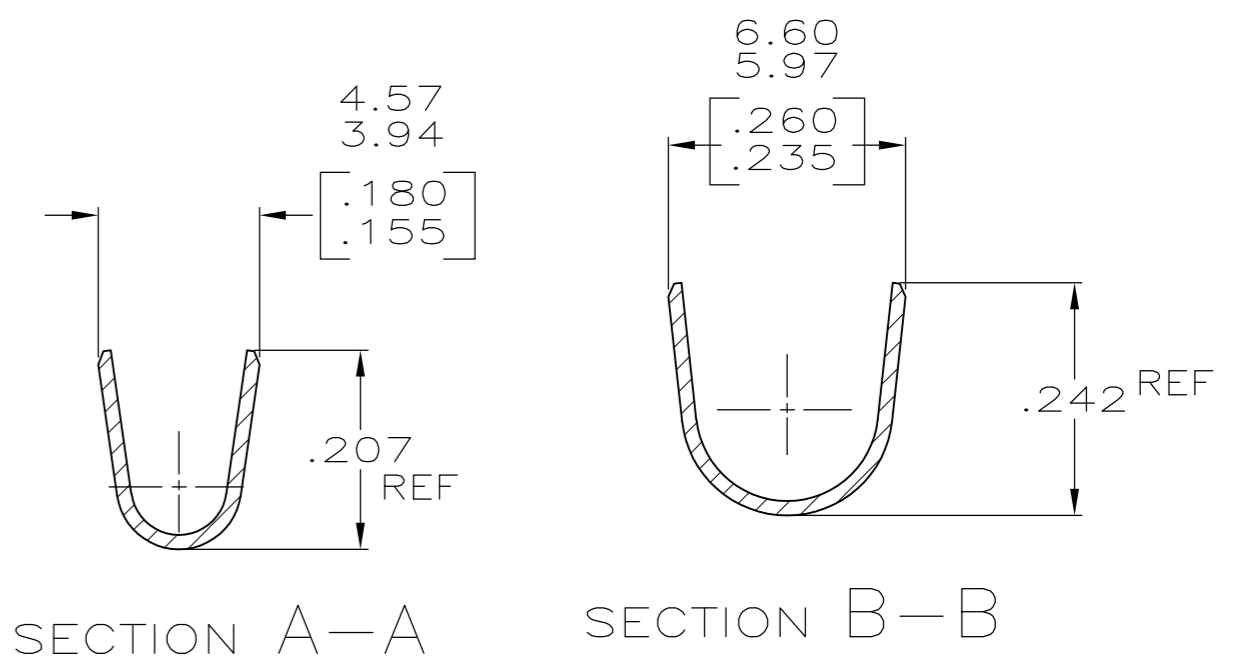
THIS DRAWING IS UNPUBLISHED. RELEASED FOR PUBLICATION
 © COPYRIGHT - By - ALL RIGHTS RESERVED.

LOC	DIST	REVISIONS					
		P	LTR	DESCRIPTION	DATE	DWN	APVD
AF	50	E2		REVISED PER ECR-12-013219	08JAN13	KH	KR



- 1 FASTON TAB BASE #1217247, ARE USED IN THIS PRODUCT.
- 2 WIRE SIZE IS [#12-#10] AWG COPPER STRANDED.
- 3 INSULATION RANGE IS 3.81-5.08 [.150-.200] DIA.
- 4 MATES WITH A 6.35 X 0.81 [.250 X .032] RECEPTACLE.

- △5 MATERIAL & FINISH
 TERMINAL - BRASS, SEE TABLE
 HOUSING - 6/6 NYLON, NATURAL
- △6 PRELIMINARY - NOT FOR PRODUCTION.



NICKEL PLATE	521227-3 △6
TIN PLATED	521227-2
-	521227-1
FINISH	PART NO.

THIS DRAWING IS A CONTROLLED DOCUMENT.		DWN	JR RUTH	200CT99
DIMENSIONS: mm [INCHES]		CHK	MS FEHER	200CT99
TOLERANCES UNLESS OTHERWISE SPECIFIED:		APVD	J HUMMEL	200CT99
0 PLC	± -	PRODUCT SPEC		
1 PLC	± -	APPLICATION SPEC		
2 PLC	± 0.25 [.010]	-		
3 PLC	± -	-		
4 PLC	± -	-		
ANGLES	± -	-		
MATERIAL	△5	WEIGHT	-	-
FINISH	△5	CUSTOMER DRAWING	SCALE	5:1

NAME		TE Connectivity	
ASSEMBLY, TAB, ULTRA-POD, 6.35 [.250] SERIES			
SIZE	A2	CAGE CODE	00779
DRAWING NO	C=521227		RESTRICTED TO
SHEET			1 of 1
REV			E2

单击下面可查看定价，库存，交付和生命周期等信息

[>>TE Connectivity\(泰科\)](#)