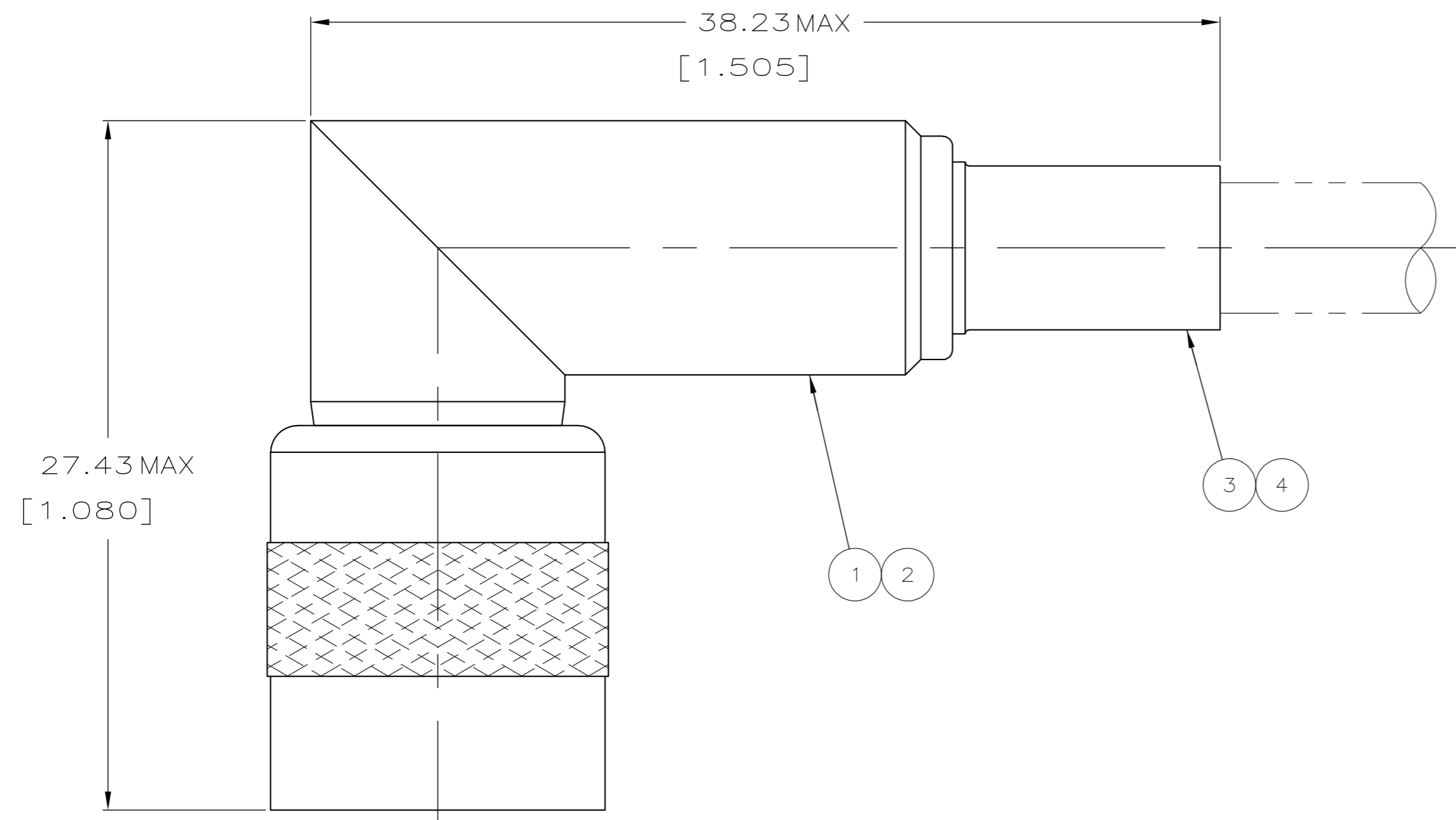
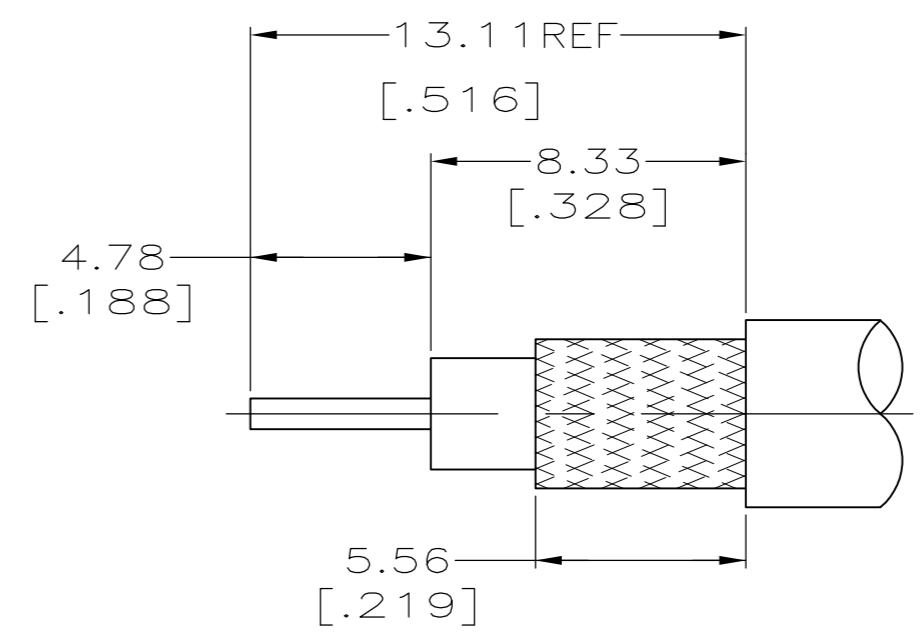


THIS DRAWING IS UNPUBLISHED. RELEASED FOR PUBLICATION
 © COPYRIGHT BY TYCO ELECTRONICS CORPORATION. ALL RIGHTS RESERVED.

LOC	DIST	REVISIONS					
		P	LTR	DESCRIPTION	DATE	DWN	APVD
AJ	16		0	REV PER EC-0S14-0496-04	31JAN2005	GA	-
			01	REVISED PER EC0-09-024927	10NOV09	KK	AEG



- ① USE HAND TOOL: 354940-1
- 2. USE INSTRUCTION SHEET 408-4144
- ③ OBSOLETE PARTS: OBSOLETE CIS STREAMLINING PER D.RENAUD/D.SINISI



RECOMMENDED STRIP LENGTH

③ OBSOLETE	55/U, 55A/U, 55B/U, 223/U	220189-1	-	9-329099-0	221149-6	414124-1	5414173-6
	RG-174/U, 174A/U, 188/U, 188A/U, 316/U	220210-1	227194-1	9-328666-0	2-221149-0	414124-3	5414173-3
	FOR USE WITH CABLE	DIE SET ①	④ TUBING QTY=1	③ FERRULE QTY=1	② CONTACT QTY=1	① PLUG ASSEMBLY QTY=1	PART NUMBER

THIS DRAWING IS A CONTROLLED DOCUMENT.

DWN	G. ATTADIA - DOCK5	31JAN2005	Tyco Electronics Corporation Harrisburg, PA 17105-3608
CHK	-	31JAN2005	
APVD	-	31JAN2005	
DIMENSIONS: INCHES TOLERANCES UNLESS OTHERWISE SPECIFIED: 0 PLC ± - 1 PLC ± - 2 PLC ± 0.41 [.016] 3 PLC ± - 4 PLC ± - ANGLES ± - MATERIAL - FINISH -			NAME: PLUG, RIGHT ANGLE, 50 OHM, COMMERCIAL TNC SIZE: A2 CAGE CODE: 00779 DRAWING NO: 5414173 RESTRICTED TO: - WEIGHT: - SCALE: 5:1 SHEET: 1 OF 1 REV: 01
CUSTOMER DRAWING			

5414173

单击下面可查看定价，库存，交付和生命周期等信息

[>>TE Connectivity\(泰科\)](#)