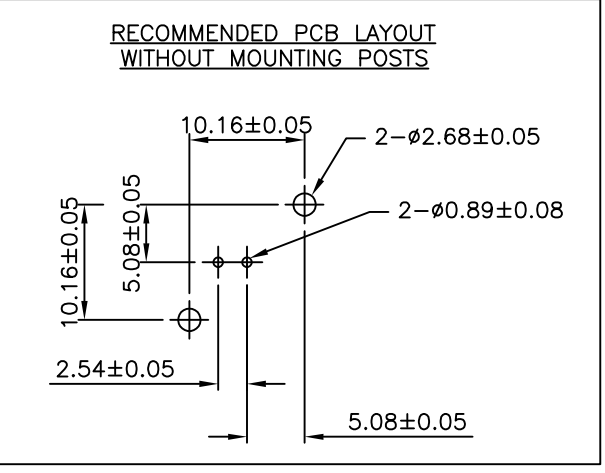
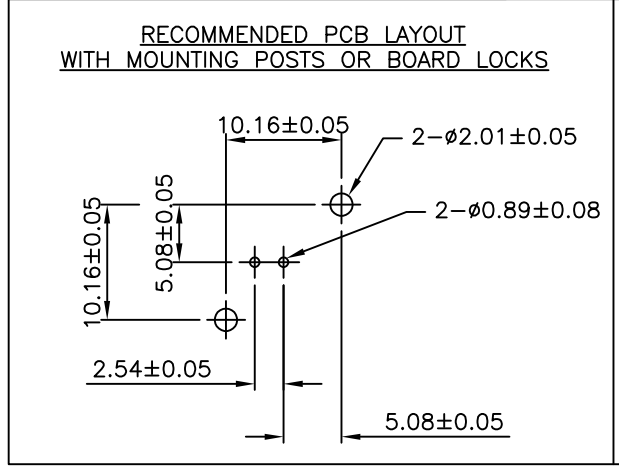
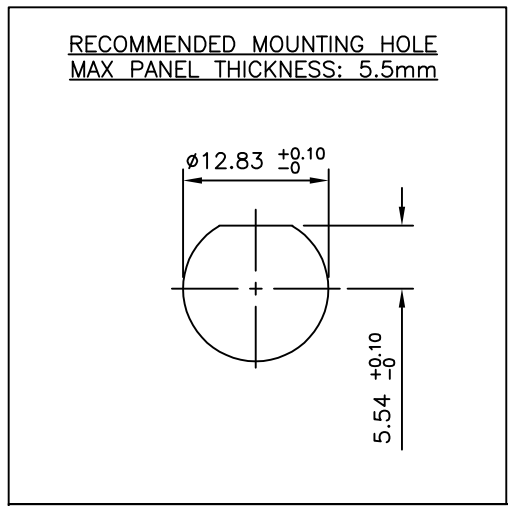
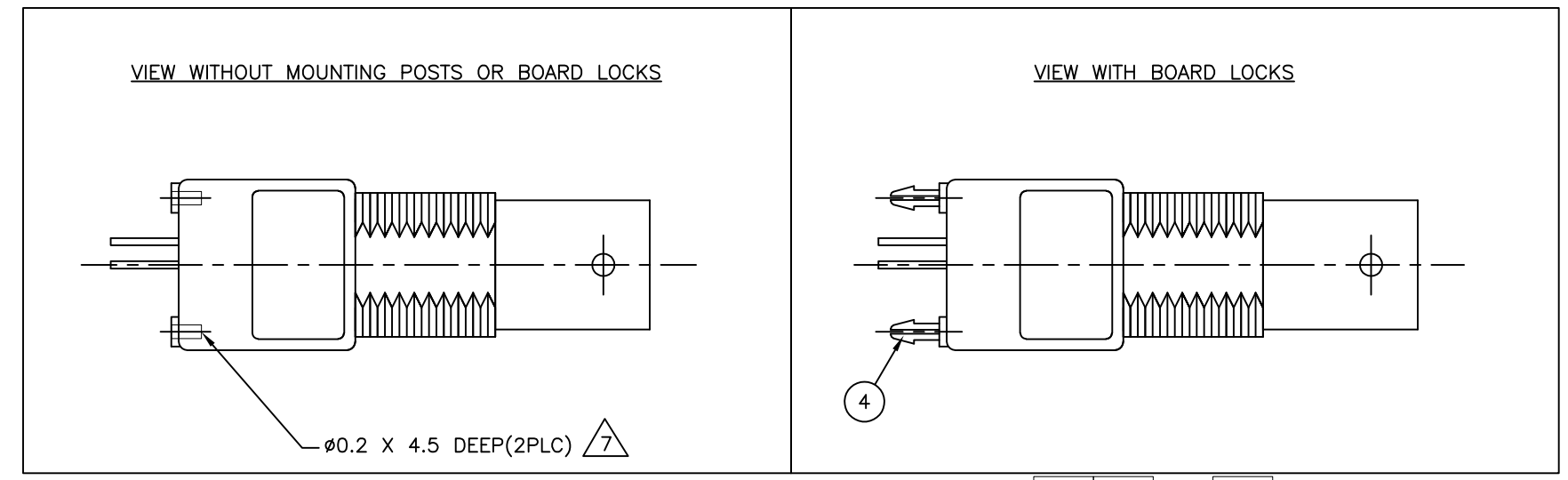
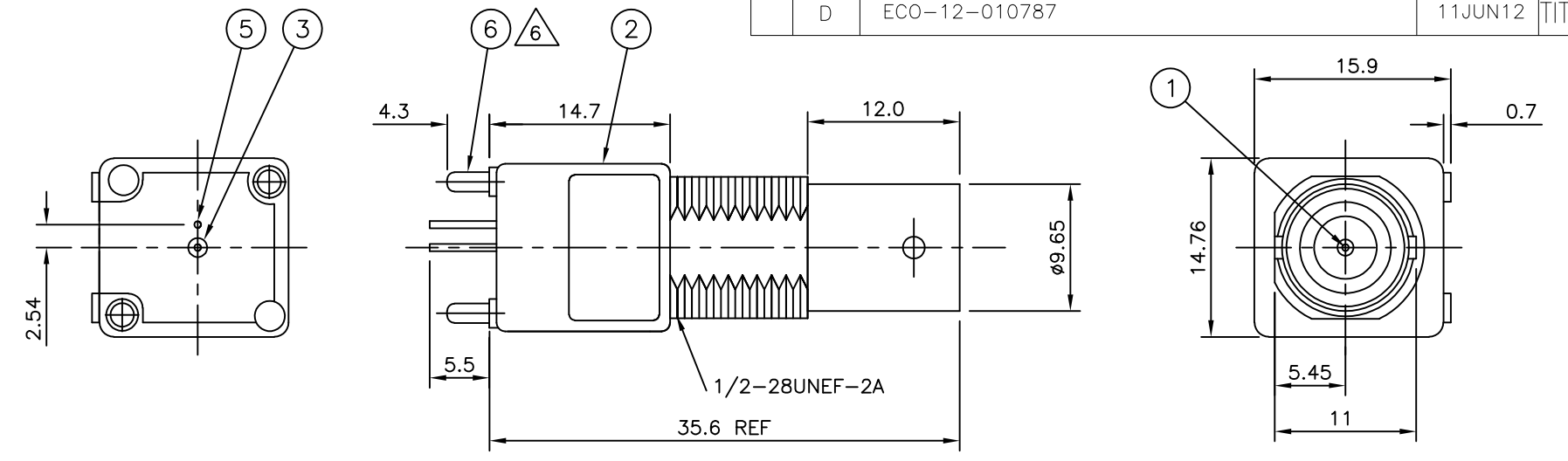


THIS DRAWING IS UNPUBLISHED. RELEASED FOR PUBLICATION MAY , 2006.
 © COPYRIGHT 2006 By - ALL RIGHTS RESERVED.

LOC	DIST	REVISIONS			
P	LTR	DESCRIPTION	DATE	DWN	APVD
E	B	C	ECO-09-003420	09 Mar 09	RITA BOB
		D	ECO-12-010787	11 JUN 12	TITAN MARTIN

- NOTES:**
- ① SINGLE PACK IN ACCORDANCE WITH AMP SPEC 107-3275
 - ② 50 TRAY PACK IN ACCORDANCE WITH AMP SPEC 107-3275
 - ③ Au PLATING
 - ④ Ni PLATING
 - ⑤ TIN PLATING
 - ⑥ MOUNTING POSTS ARE OPTIONAL SEE TABLE FOR PART NUMBERS
 - ⑦ RECOMMENDED SELF-TAPPING SCREW 221108-4
 - 8 RECOMMENDED MOUNT NUT 1-1634816-0
 - 9 RECOMMENDED LOCKWASHER 1-1634817-0
 - 10 FOR TECHNICAL DATA REFER TO YOUR LOCAL TYCO ELECTRONICS SALES OFFICE
 - 11 ALL DIMENSIONS ARE NOMINAL FOR REFERENCE ONLY UNLESS OTHERWISE STATED



		OBSOLETE	OBSOLETE		OBSOLETE					
	-	-	-	-	2	2	PHOS. BRONZE	MOUNTING POST	6	
	1	1	1	1	1	1	COPPER	SOLDER TAIL	5	
	-	-	2	2	-	-	PHOS. BRONZE	BOARD LOCK	4	
	1	1	1	1	1	1	PE-606	INSULATOR	3	
	1	1	1	1	1	1	ZINC ALLOY	BODY	2	
	1	1	1	1	1	1	PHOS. BRONZE	CONTACT	1	
	6--2	1--2	6--1	1--1	6--0	1--0	MATERIAL	DESCRIPTION	ITEM	
	②	①	②	①	②	①				
QUANTITY PER ASSY							PARTS LIST			

THIS DRAWING IS A CONTROLLED DOCUMENT.

DWN RITA ZUO 09 Mar 09
 CHK ANSON MA 09 Mar 09
 APVD BOB ZHAO 09 Mar 09

PRODUCT SPEC: 108-112000
 APPLICATION SPEC: -

MATERIAL: SEE TABLE
 FINISH: -

WEIGHT: -

CUSTOMER DRAWING

SCALE: NTS
 SHEET: 1 OF 1
 REV: D

STE TE Connectivity
 BNC STRAIGHT SHIELDED PCB SOCKET
 75 OHM METAL

SIZE: A3
 CAGE CODE: 00779
 DRAWING NO: C-1634630
 RESTRICTED TO: -

单击下面可查看定价，库存，交付和生命周期等信息

[>>TE Connectivity\(泰科\)](#)