

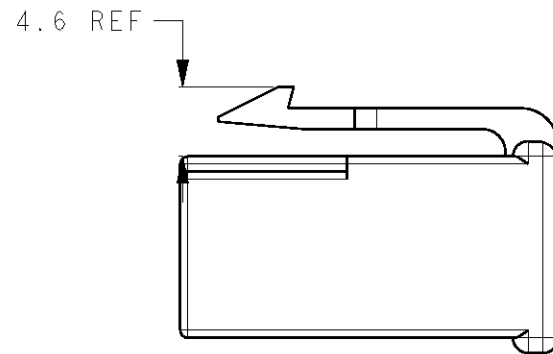
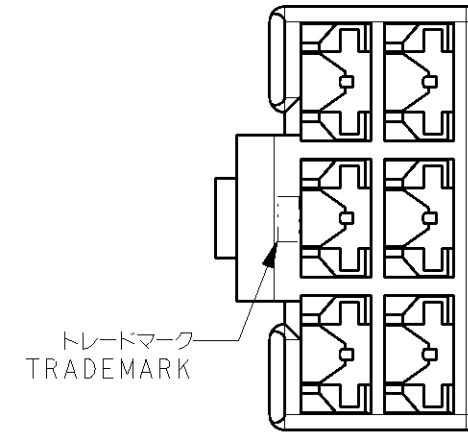
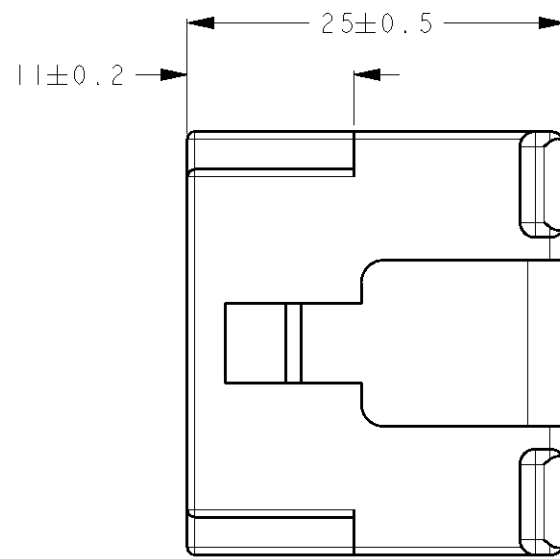
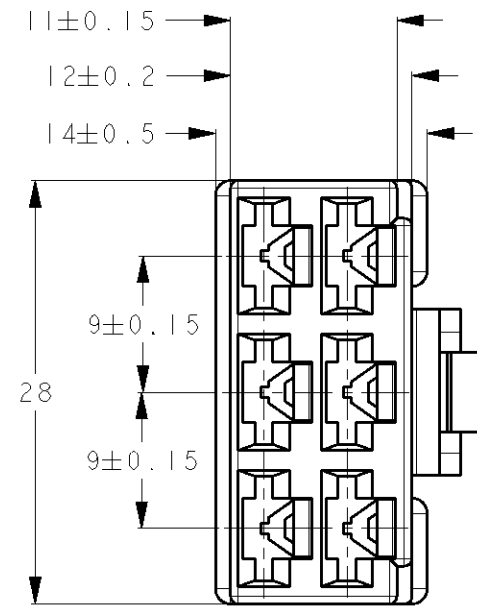
THIS DRAWING IS UNPUBLISHED.

RELEASED FOR PUBLICATION

© COPYRIGHT

ALL INTERNATIONAL RIGHTS RESERVED.

LOC J	DIST -	REVISIONS 変更			DATE	DWN	APVD
P	LTR	DESCRIPTION					
	F1	REVISED PER ECO-11-005030	14APR11	RK	HMR		



- 1 嵌合相手ハウジング型番: 171897-□
- 2 適合端子型番: 170342-□, 170343-□, 170350-□
- 3 本品の材料はUL94難燃グレードV-0

- 1 MATING CAP HOUSING P/N: 171897-□
- 2 APPLIED CONTACT P/N: 170342-□, 170343-□, 170350-□
- 3 THIS ITEM IS MADE FROM MATERIAL RATED UL94 FLAME RETARDANCE V-0

自然色 NATURAL	△3 1-171898-1
赤 RED	171898-9
橙 ORANGE	171898-8
黄 YELLOW	171898-7
緑 GREEN	171898-4
茶 BROWN	171898-3
黒 BLACK	171898-2
自然色 NATURAL	171898-1
色 COLOR	型番 PART NUMBER

DWN Y. OKADA 200CT2010		TE Connectivity	
CHK S. YAMADA 200CT2010			
APVD N. YAMASAKI 200CT2010		NAME 250シリーズハウジングランスコネクタ 6極プラグハウジング	
PRODUCT SPEC 108-5147		250SERIES HOUSING LANCE CONNECTOR	
APPLICATION SPEC 114-5052		6POS PLUG HOUSING	
WEIGHT		SIZE A300779	RESTRICTED TO
MATERIAL 66ナイロン 66NYLLON		DRAWING NO. C=171898	
FINISH 色: 表参照 COLOR: SEE TABLE		SCALE 2:1	SHEET OF REV F1
DIMENSIONS: 単位: 概 mm		CUSTOMER DRAWING	
TOLERANCES UNLESS OTHERWISE SPECIFIED: 一般公差 ±0.25			
0 PLC ±			
1 PLC ±			
2 PLC ±			
3 PLC ±			
4 PLC ±			
ANGLES ±3°			

单击下面可查看定价，库存，交付和生命周期等信息

[>>TE Connectivity\(泰科\)](#)