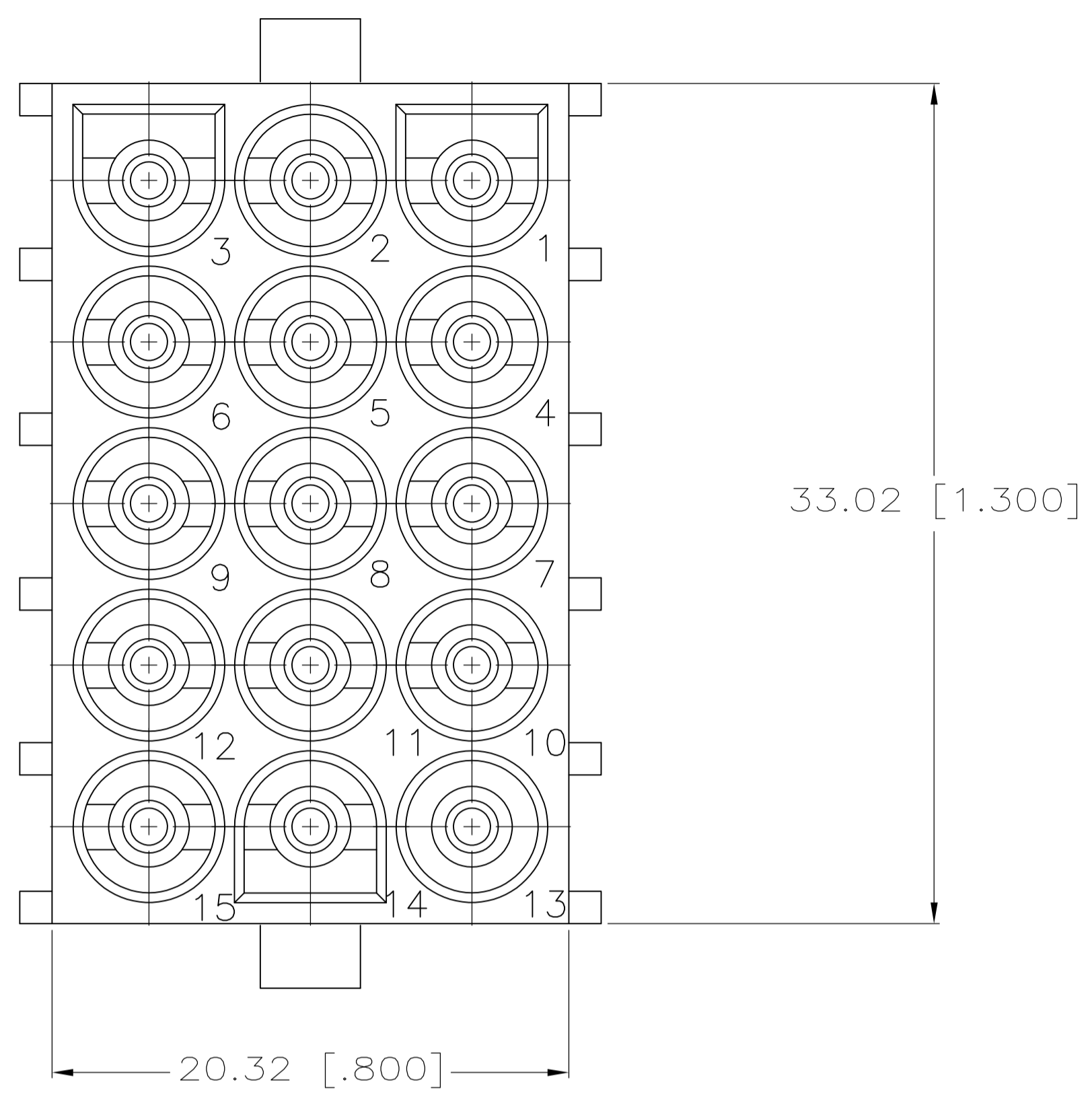
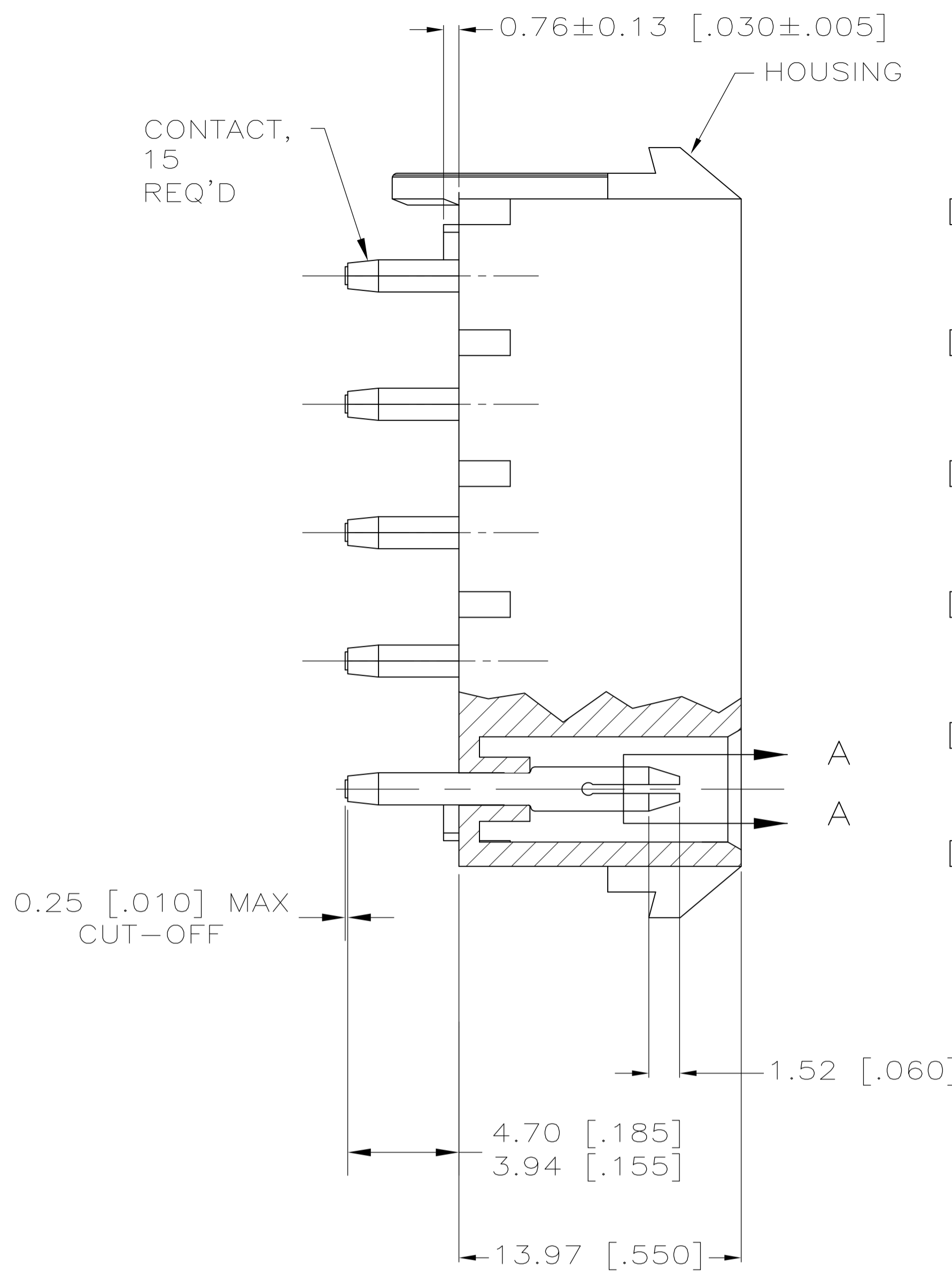
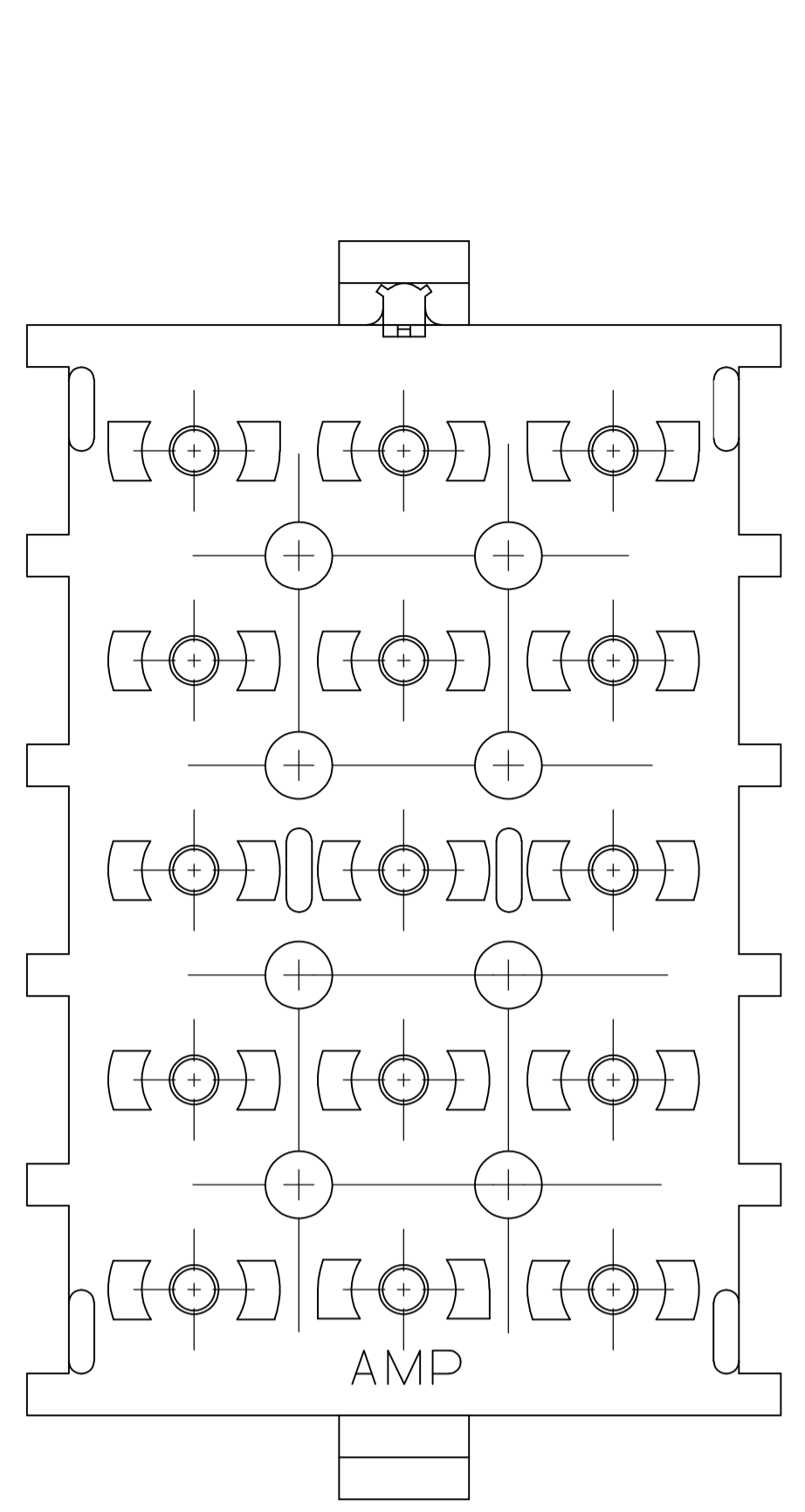
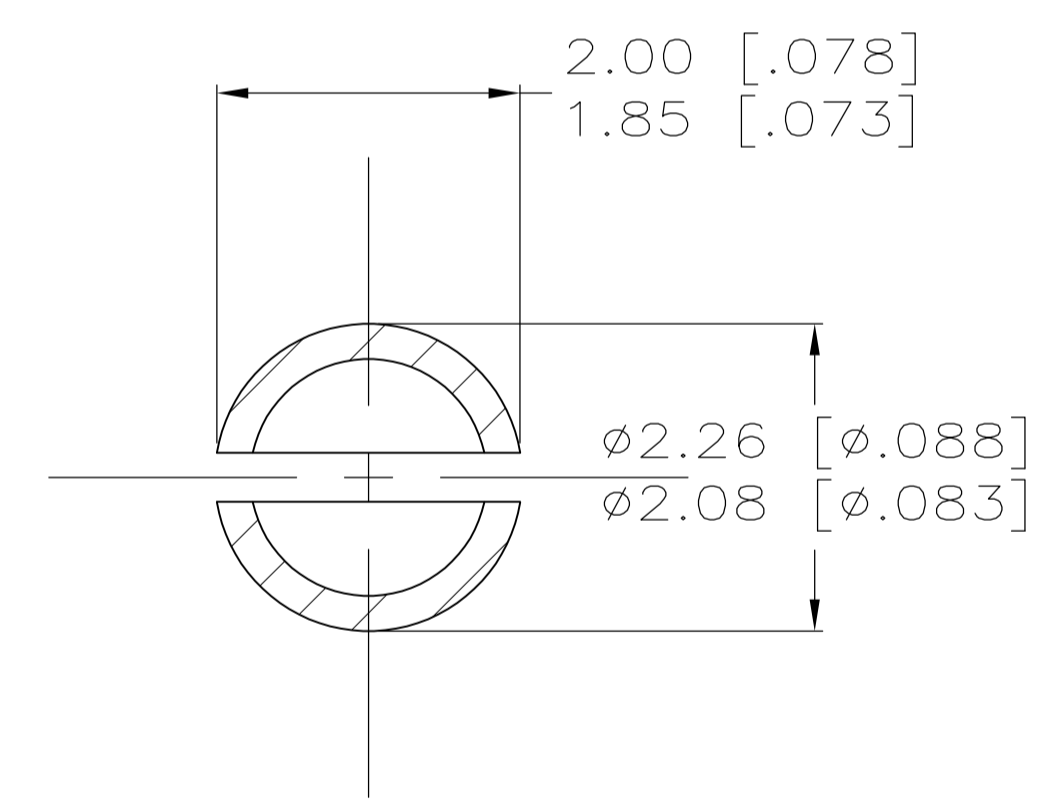


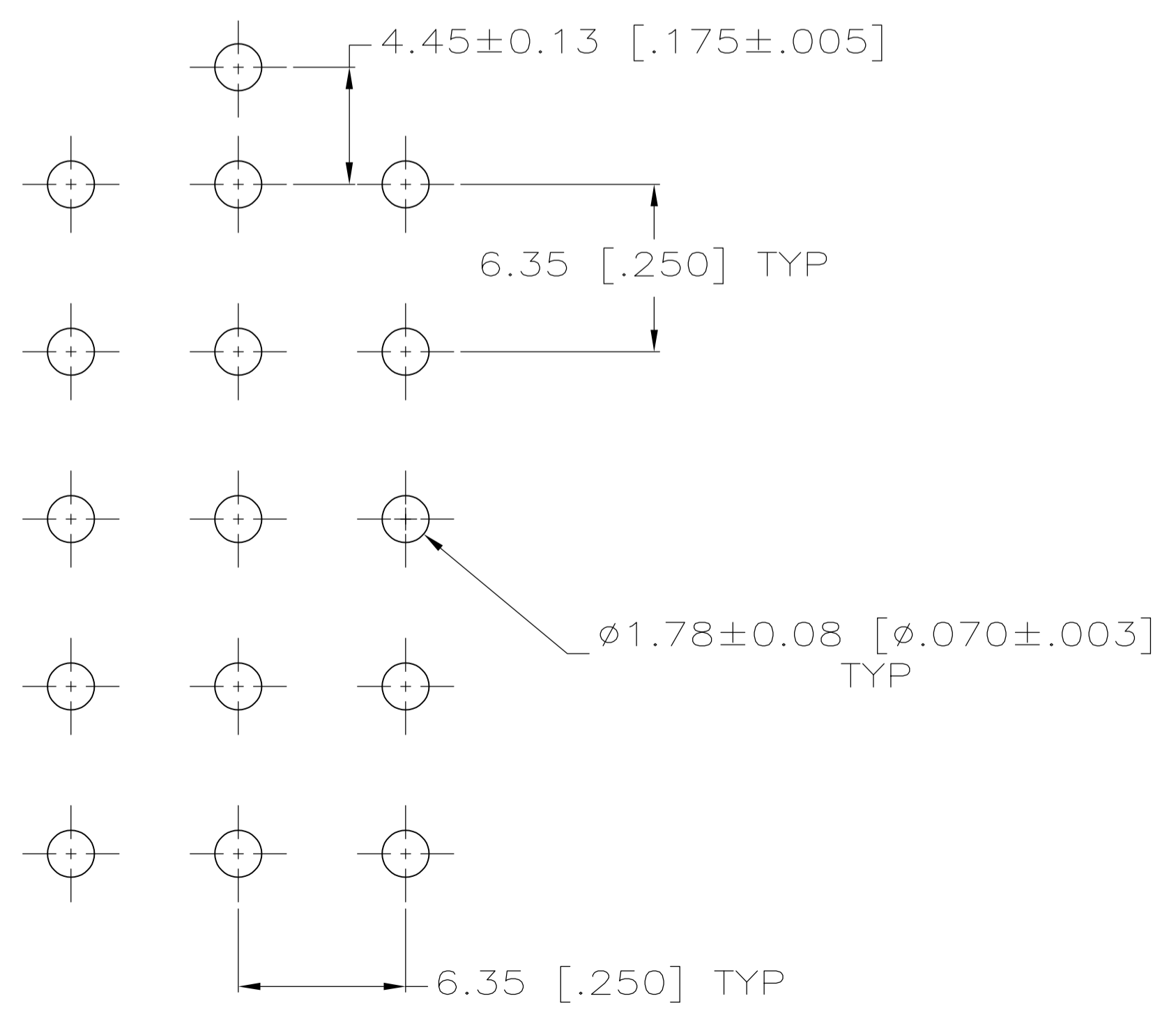
LOC		DIST		REVISIONS			
CM	00	REV	DATE	BY	CHK	APPV	
		K2	31JAN13				REVIS PER ECR-12-011660



- 1 PARTS MUST COMPLY WITH AMP SOLDERABILITY SPEC 109-11-3.
- 2 MATES WITH HOUSING NO. 350736 USING SOCKET CONTACTS.
- 3 CONTACT IS STAMPED FROM PRE-PLATED STOCK WHICH IS PLATED OVERALL WITH 0.00127 [.000050] NICKEL, THEN STRIPED WITH 0.00076 [.000030] GOLD IN CONTACT AREA INDICATED AND TIN-LEAD ON SOLDER TAIL END.
- 4 CONTACT IS PLATED OVERALL WITH 0.00127 [.000050] NICKEL, THEN 0.00076 [.000030] GOLD OVER CONTACT LENGTH INDICATED AND MATTE TIN ON SOLDER TAIL END.
- 6 SUPERSEDED BY 641976-4



SECTION A-A
SCALE 12:1



RECOMMENDED LAYOUT FOR 1.58 [.062] THICK PC BOARD

PH BRZ GOLD $\triangle 4$	NYLON, UL94V-0	641976-4
PH BRZ GOLD $\triangle 3$	NYLON, UL94V-0	641976-2
PH BRZ TIN	NYLON, UL94V-0	641976-1
CONTACT	HOUSING	PART NO

THIS DRAWING IS A CONTROLLED DOCUMENT.		DIN K. WHITAKER 14OCT2005		TE Connectivity	
DIMENSIONS: mm [INCHES]		CHK S. RIDGILL 19-NOV-2003			
TOLERANCES UNLESS OTHERWISE SPECIFIED:		APPV S. RIDGILL 19-NOV-2003		NAME	
0 PLC ±		PRODUCT SPEC		HEADER ASSEMBLY, PIN, POLARIZED, UNIVERSAL MATE-N-LOK(TM), 15 CIRCUIT	
1 PLC ±		APPLICATION SPEC		SIZE CASE CODE DRAWING NO	
2 PLC ±		WEIGHT		A1 00779 C=641976	
3 PLC ± 0.13 [.005]		CUSTOMER DRAWING		SCALE 5:1 SHEET 1 OF 1 REV K2	
4 PLC ±					
ANGLES ±					
FINISH					

单击下面可查看定价，库存，交付和生命周期等信息

[>>TE Connectivity\(泰科\)](#)