

THIS DRAWING IS UNPUBLISHED.

RELEASED FOR PUBLICATION

20

© COPYRIGHT20 BY -

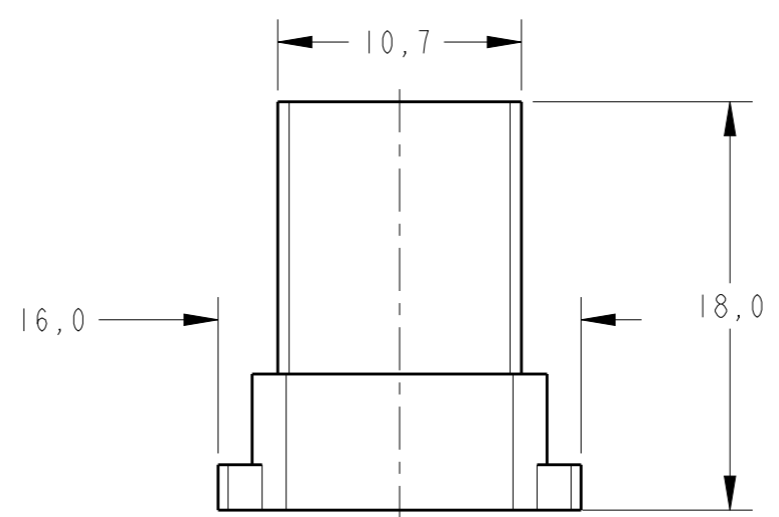
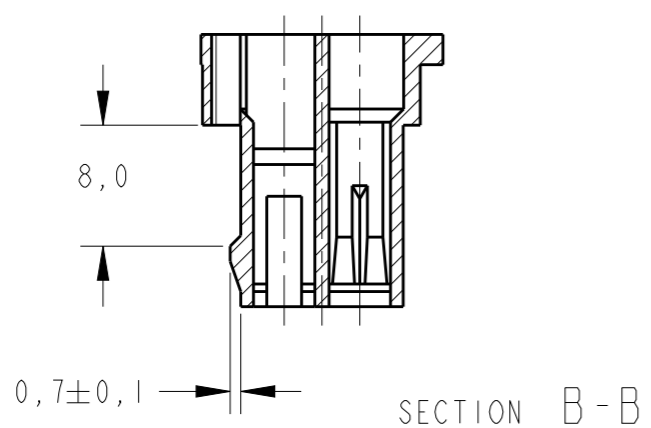
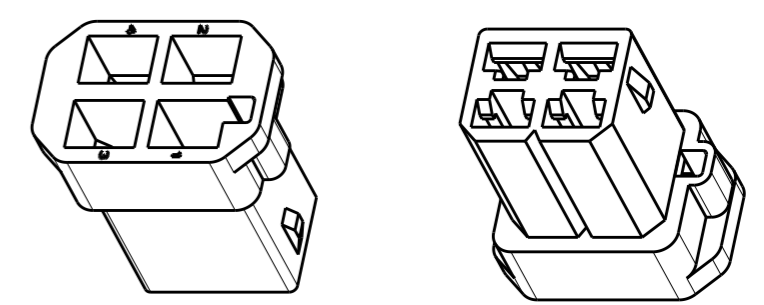
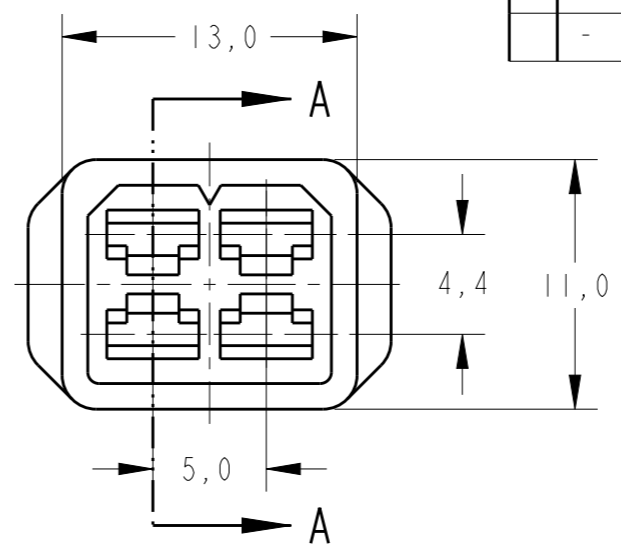
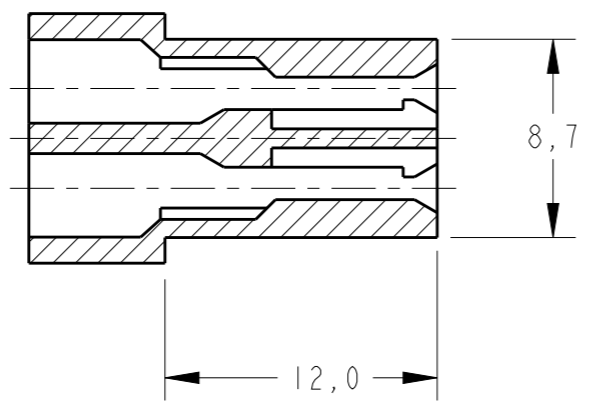
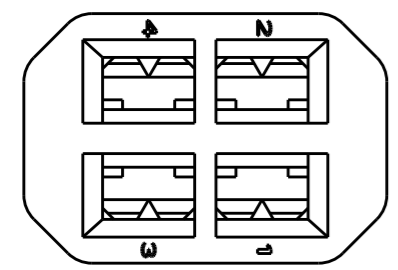
ALL RIGHTS RESERVED.

LOC AP DIST -

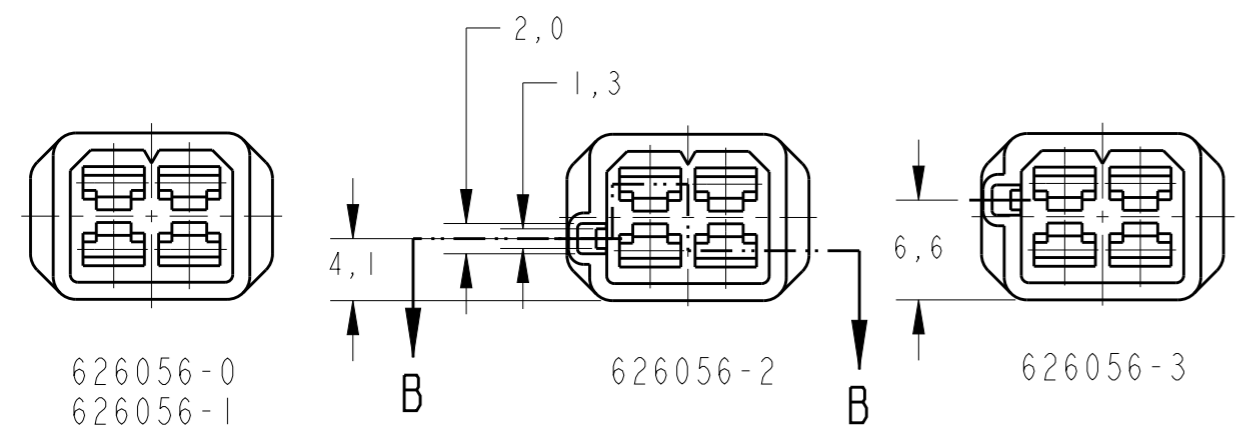
REVISIONS

P	LTR	DESCRIPTION	DATE	DWN	APVD
G2		REVISED BY ECO 14-010612	28JUL2014	HC	WLS
G3		REV. BY ECO 16-010419	14JULY2016	HC	WLS
-	-	-	-	-	-
-	-	-	-	-	-

CAD Pro-E
DO NOT REVISE EXCEPT BY CAD



	—	RED	PA4.6 (HIGH TEMPERATURE)	626056-5
	—	PRETO/BLACK	PA4.6 (HIGH TEMPERATURE)	626056-4
OBSOLETE	—	PRETO/BLACK	P.A. 6.6	626056-3
	—	NATURAL	P.A. 6.6	626056-2
OBSOLETE	—	PRETO/BLACK	P.A. 6.6	626056-1
	—	NATURAL	P.A. 6.6	626056-0
	RAW MAT'L NO	FINISH	MATERIAL	PART NUMBER



- 626056-0
- 626056-1
- 626056-4
- 626056-5

DETAILS FOR POLARIZATION

THIS DRAWING IS A CONTROLLED DOCUMENT.

DIMENSIONS: mm	TOLERANCES UNLESS OTHERWISE SPECIFIED: 0 PLC ± 1 PLC ± 2 PLC ±0,3 3 PLC ± 4 PLC ± ANGLES ±	DWN F.S.MARTINS 17JUN99 CHK P.L.FARIA 28JUN99 APVD J.M.M.NETO 28JUN99		
MATERIAL -	FINISH -	PRODUCT SPEC -	NAME HOUSING 4P .110 FASTIN-ON REC.	
		APPLICATION SPEC -	SIZE A3	CAGE CODE 00779
		WEIGHT -	DRAWING NO C-626056	RESTRICTED TO -
		Customer Drawing	SCALE 3:1	SHEET 1 OF 1 REV G3

单击下面可查看定价，库存，交付和生命周期等信息

[>>TE Connectivity\(泰科\)](#)