

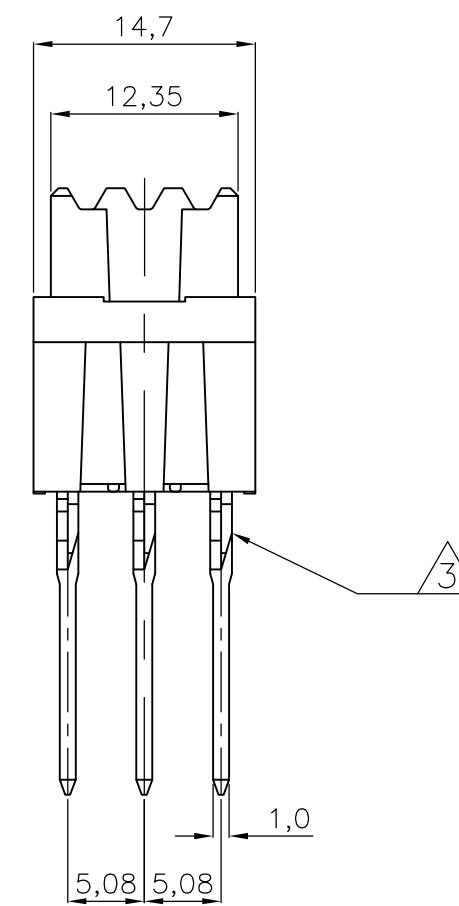
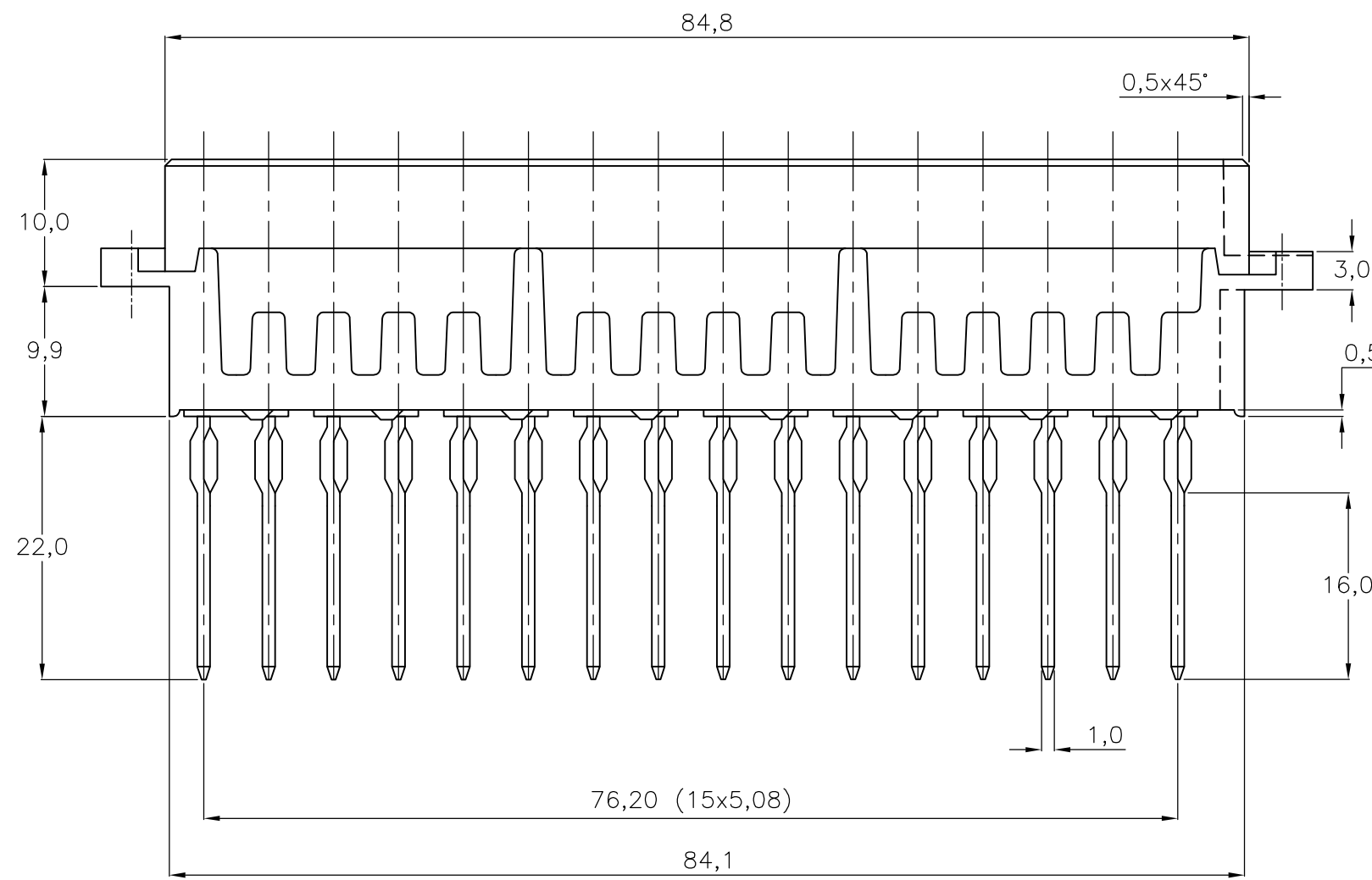
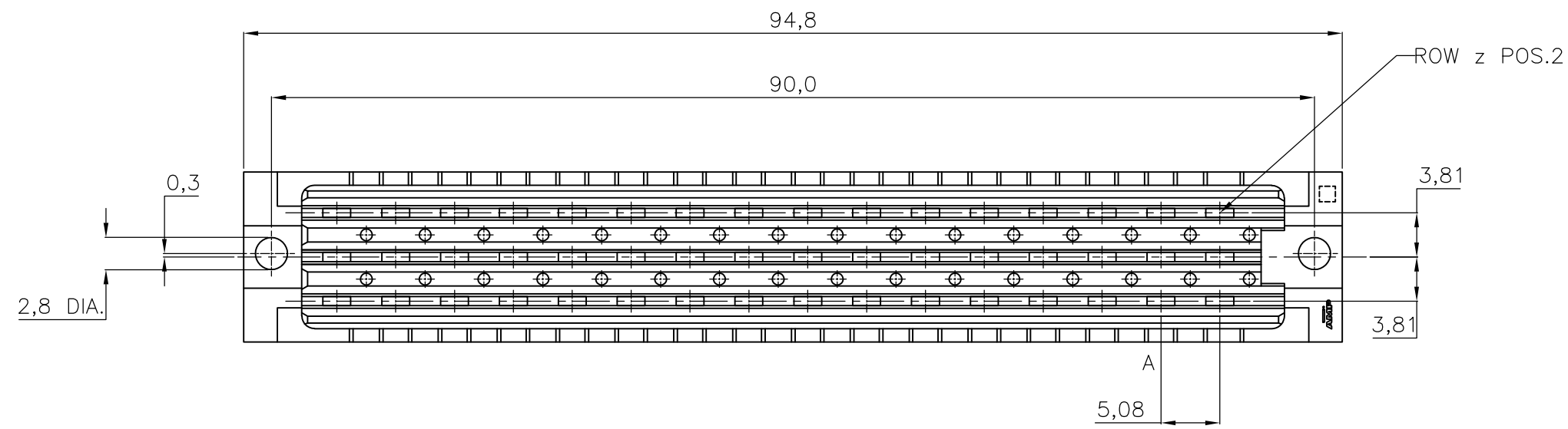
THIS DRAWING IS UNPUBLISHED. RELEASED FOR PUBLICATION
 © COPYRIGHT BY TYCO ELECTRONICS CORPORATION. ALL INTERNATIONAL RIGHTS RESERVED.

LOC	DIST	REVISIONS					
		P	LTR	DESCRIPTION	DATE	DWN	APVD
H	-	G		EH-1256-96	01-07-97	J.G	-
		H		ECR-07-020965	22-08-08	AEG	MKO

NOTES:

- 1 MATERIAL:
 -HOUSING: G.F. THERMOPL. POLYESTER 94-V0.
 COLOUR: GREY
 -CONTACTS: PHOSHORBRONZE
- 2 PLATING CONTACT:
 -1: 1,25µm Au OVER 1,25µm Ni AT CONTACT AREA,
 REMAINDER 2,0µm Sn OVER 1,25µm Ni.
 -4: SAME AS -1 ONLY 0,8µm Au AT CONTACT AREA.
 -7: SAME AS -1 ONLY 2,0µm Au AT CONTACT AREA.
 -8: SAME AS -1 ONLY 0,4µm Au AT CONTACT AREA.
- 3 FOR P.C.B.-THICKNESS 2,4-3,2.

P.C.B. HOLE DIM. ACTION PIN	
DRILLED HOLE	: 1,75 ± 0,025 mm
FIN. HOLE	: 1,54 to 1,69 mm
AFTER REFLOW	: 1,51 to 1,69 mm
Cu-thks	: 0,025 to 0,075 mm
SnPb-thks	: 0,004 to 0,010 mm



ROW	z	b	d
32	X	X	X
30	X	X	X
28	X	X	X
26	X	X	X
24	X	X	X
22	X	X	X
20	X	X	X
18	X	X	X
16	X	X	X
14	X	X	X
12	X	X	X
10	X	X	X
8	X	X	X
6	X	X	X
4	X	X	X
2	X	X	X

AN ASTERISK „X” DENOTES A CONTACT.

OBSELETE	SEE NOTE	SEE NOTE	166555-8
			166555-7
OBSELETE	2	1	166555-4
			166555-1
	FINISH	MATERIAL	PARTNUMBER

THIS DRAWING IS A CONTROLLED DOCUMENT.		DWN J.V.LIEMPT 18JAN91	Tyco Electronics Corporation 's-Hertogenbosch, Nederland	
DIMENSIONS: mm		CHK J.GIBBELS 07JUL97	NAME	
TOLERANCES UNLESS OTHERWISE SPECIFIED: 0 PLC ± - 1 PLC ± - 2 PLC ± - 3 PLC ± - 4 PLC ± - ANGLES ± - FINISH		APVD -	PRODUCT SPEC -	
MATERIAL		APVD -	APPLICATION SPEC -	
		WEIGHT -	SIZE A2	CAGE CODE 00779
		CUSTOMER DRAWING	DRAWING NO C=166555	RESTRICTED TO -
		SCALE NTS	SHEET 1 of 1	REV H

单击下面可查看定价，库存，交付和生命周期等信息

[>>TE Connectivity\(泰科\)](#)