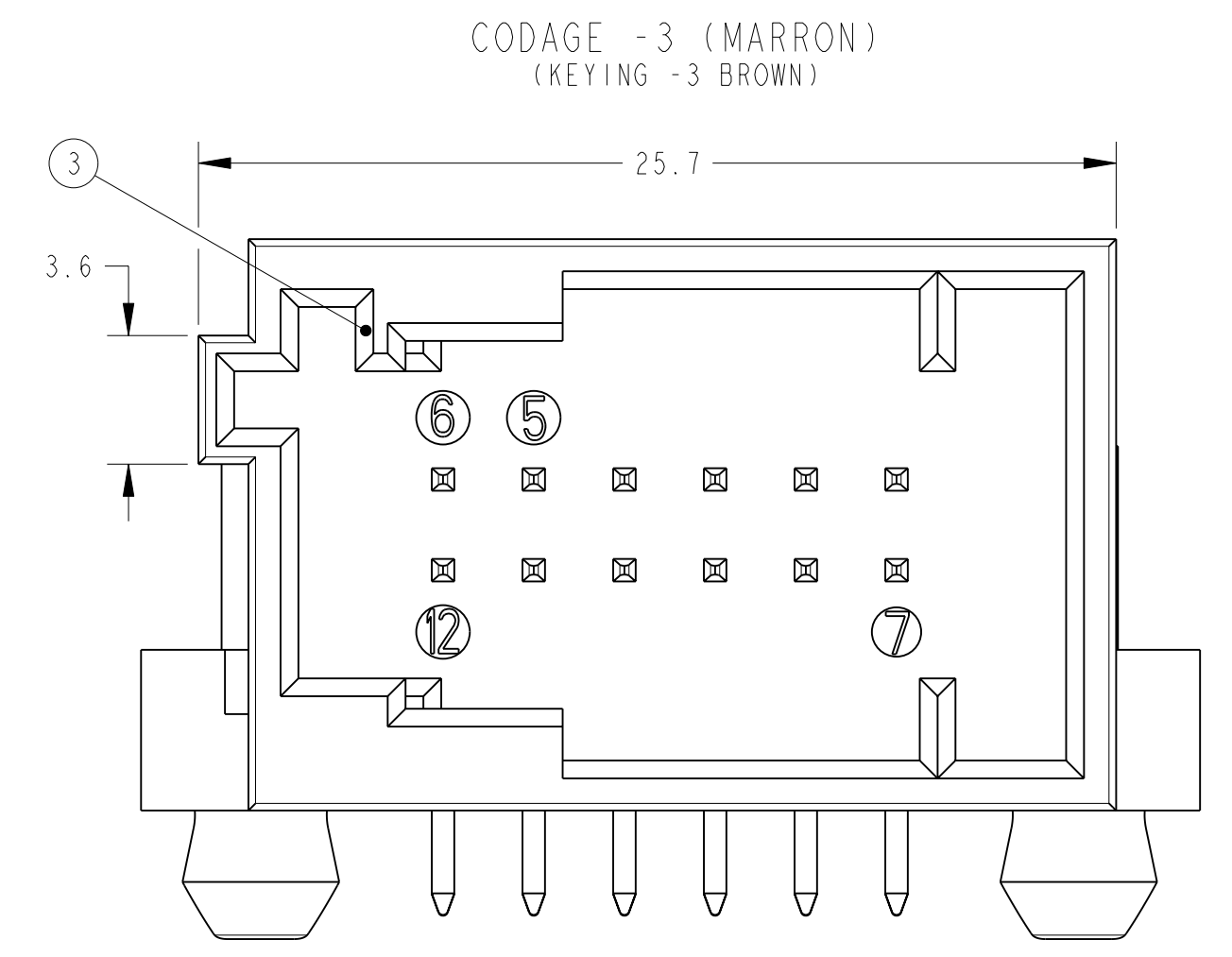
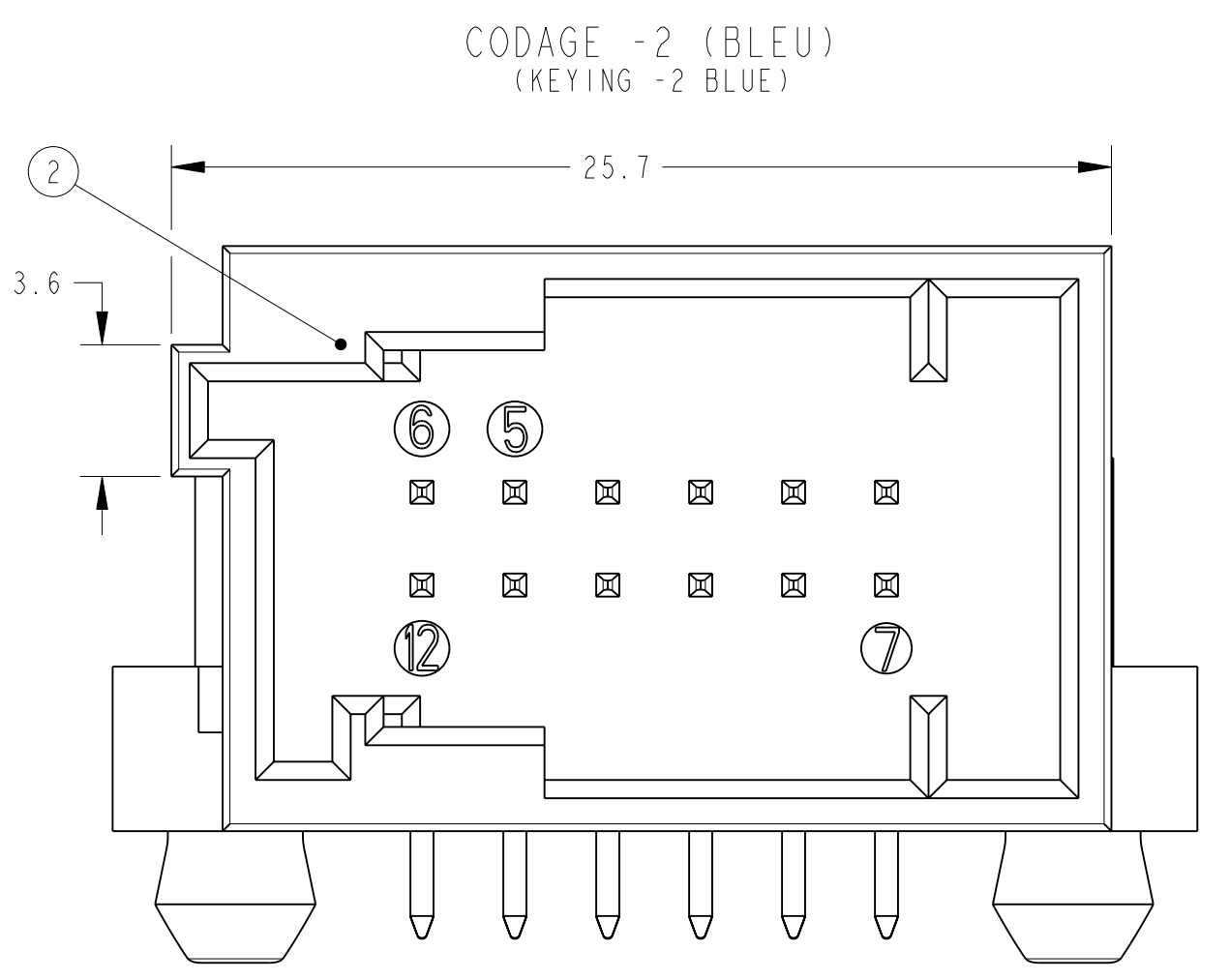
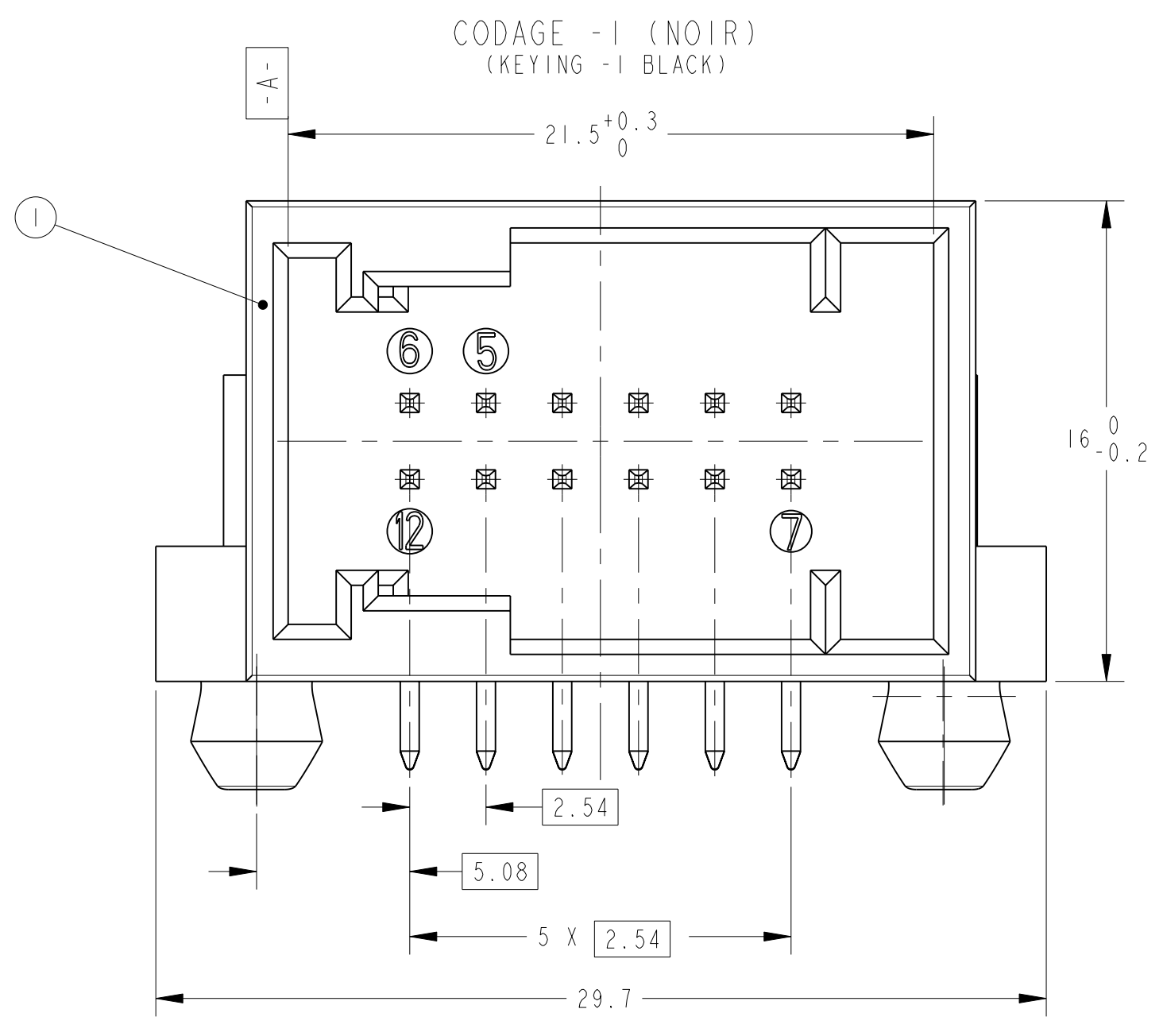
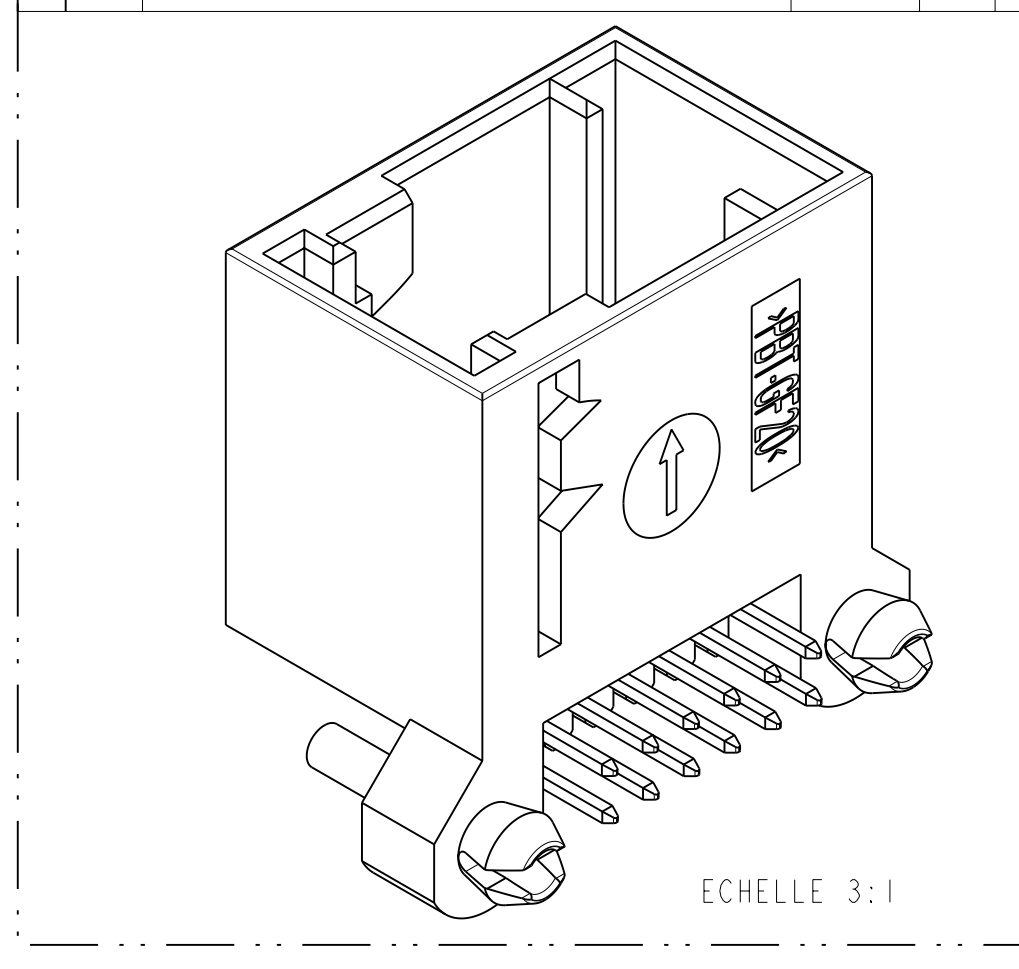
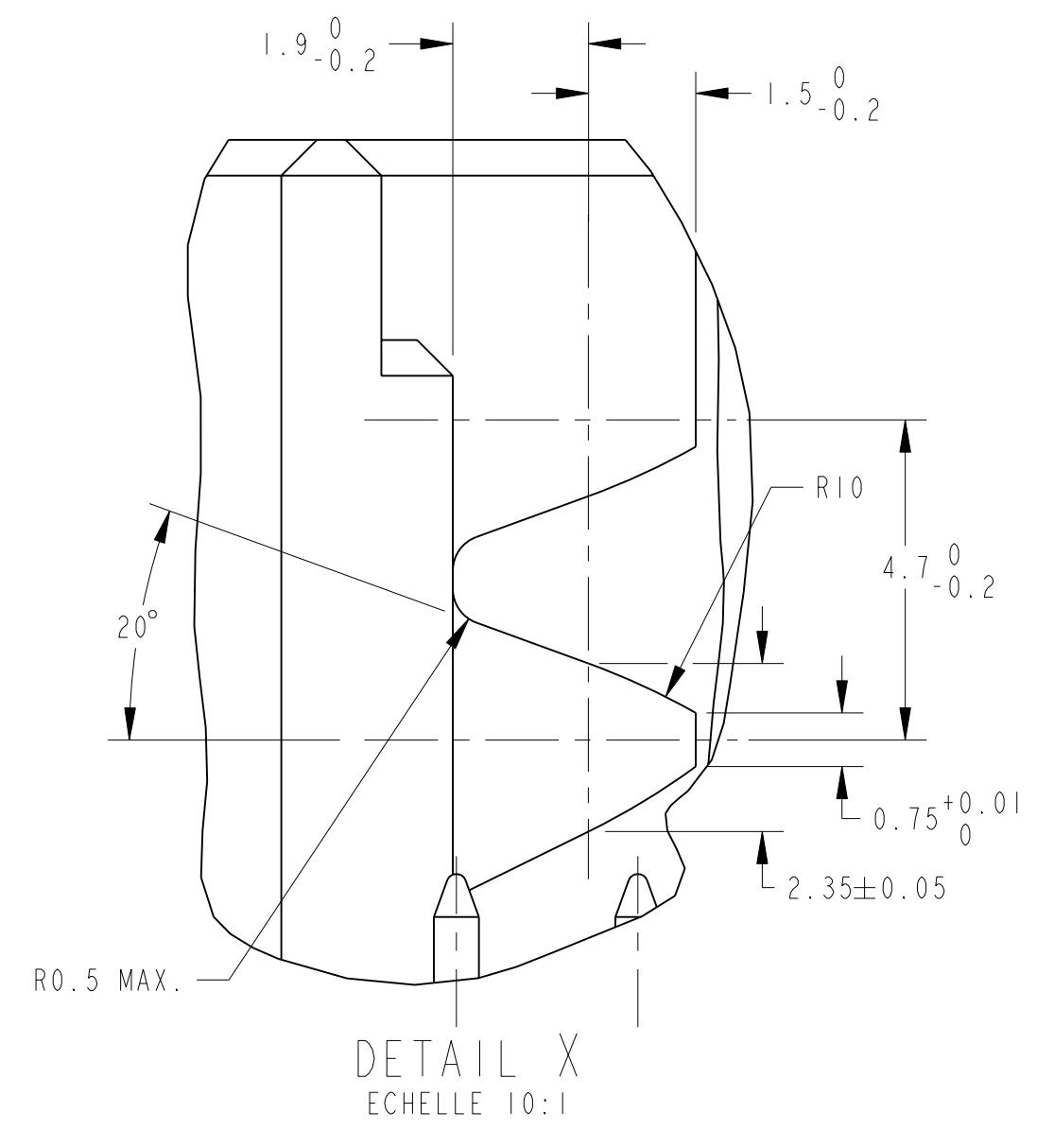
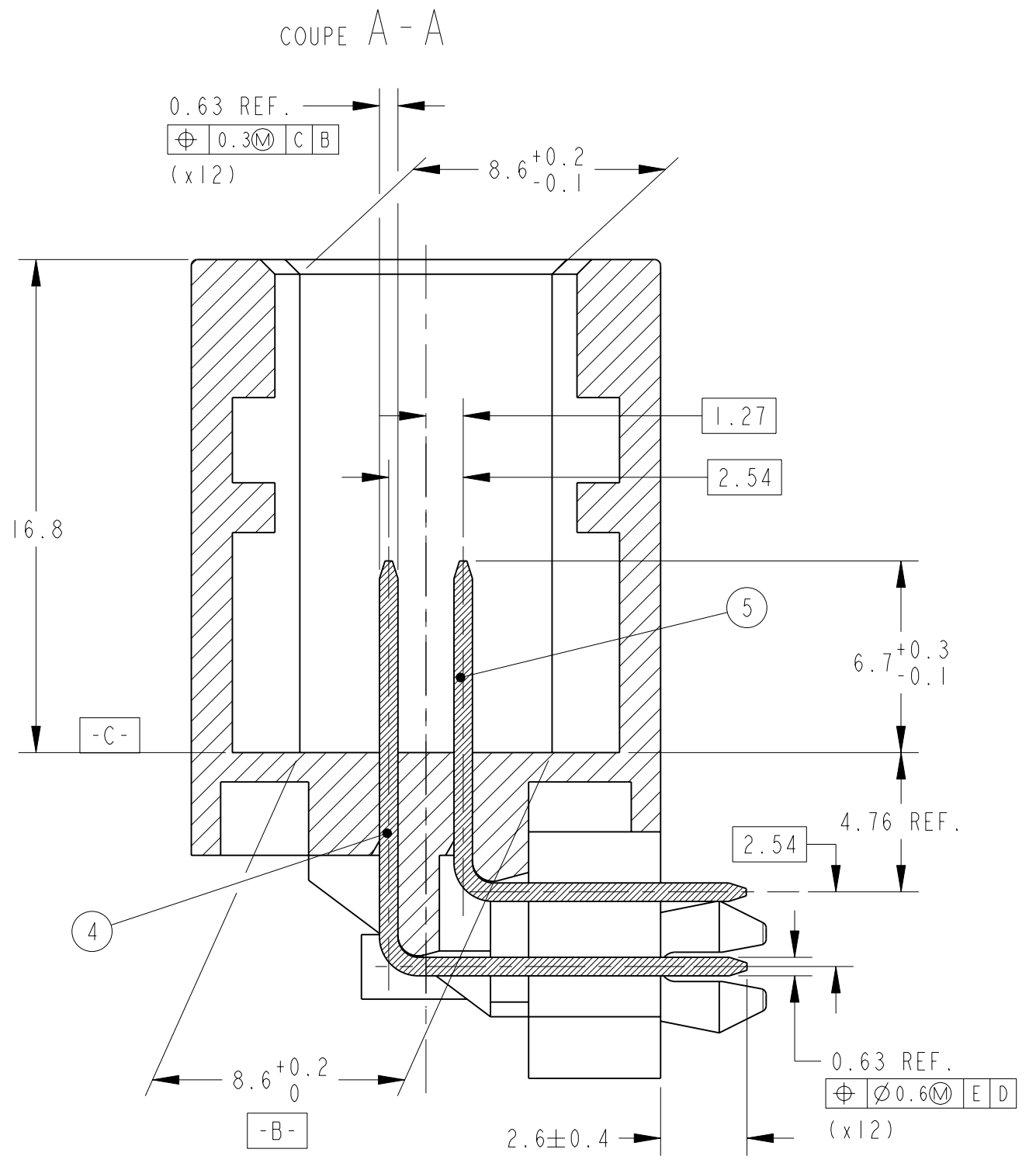
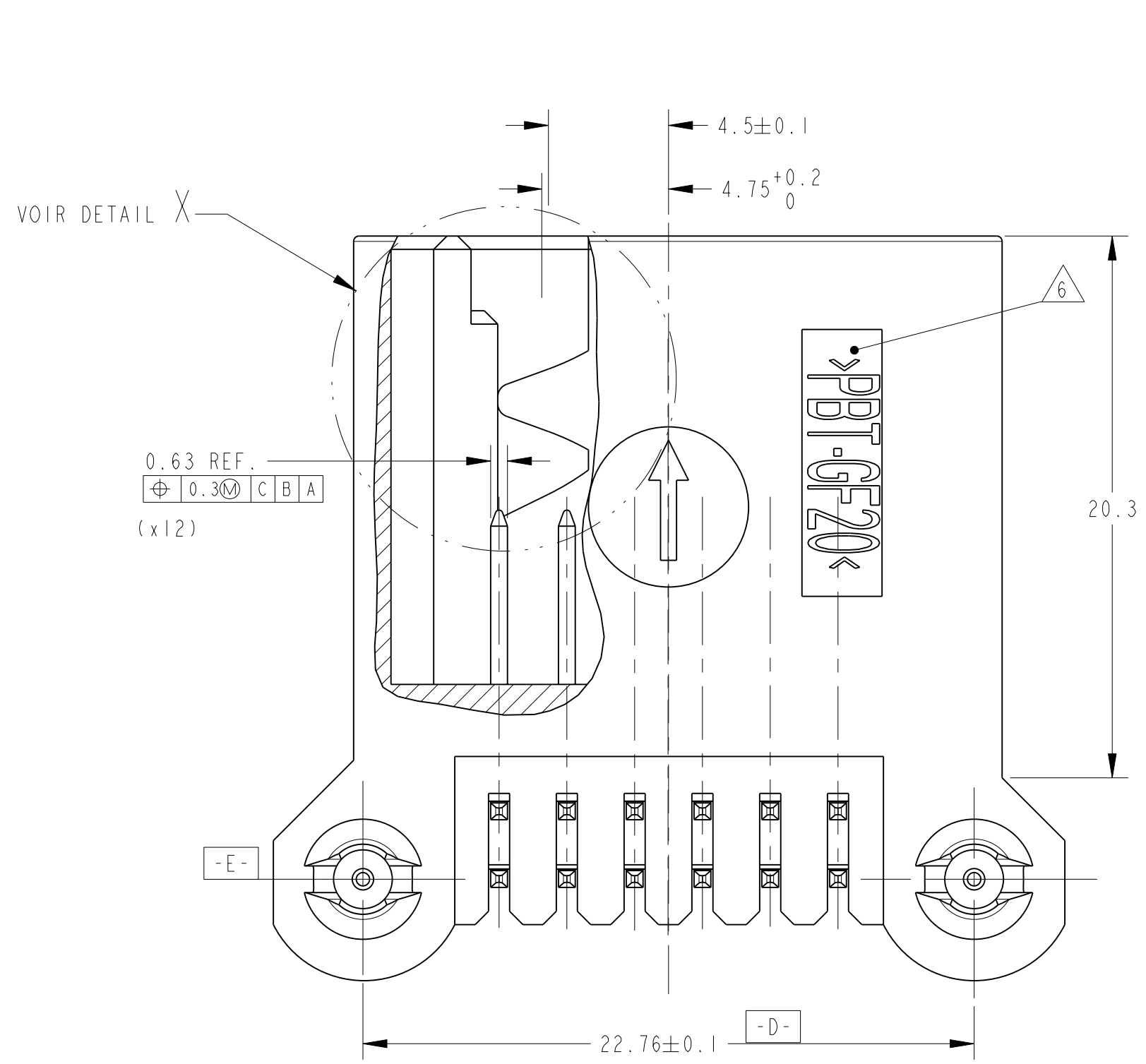
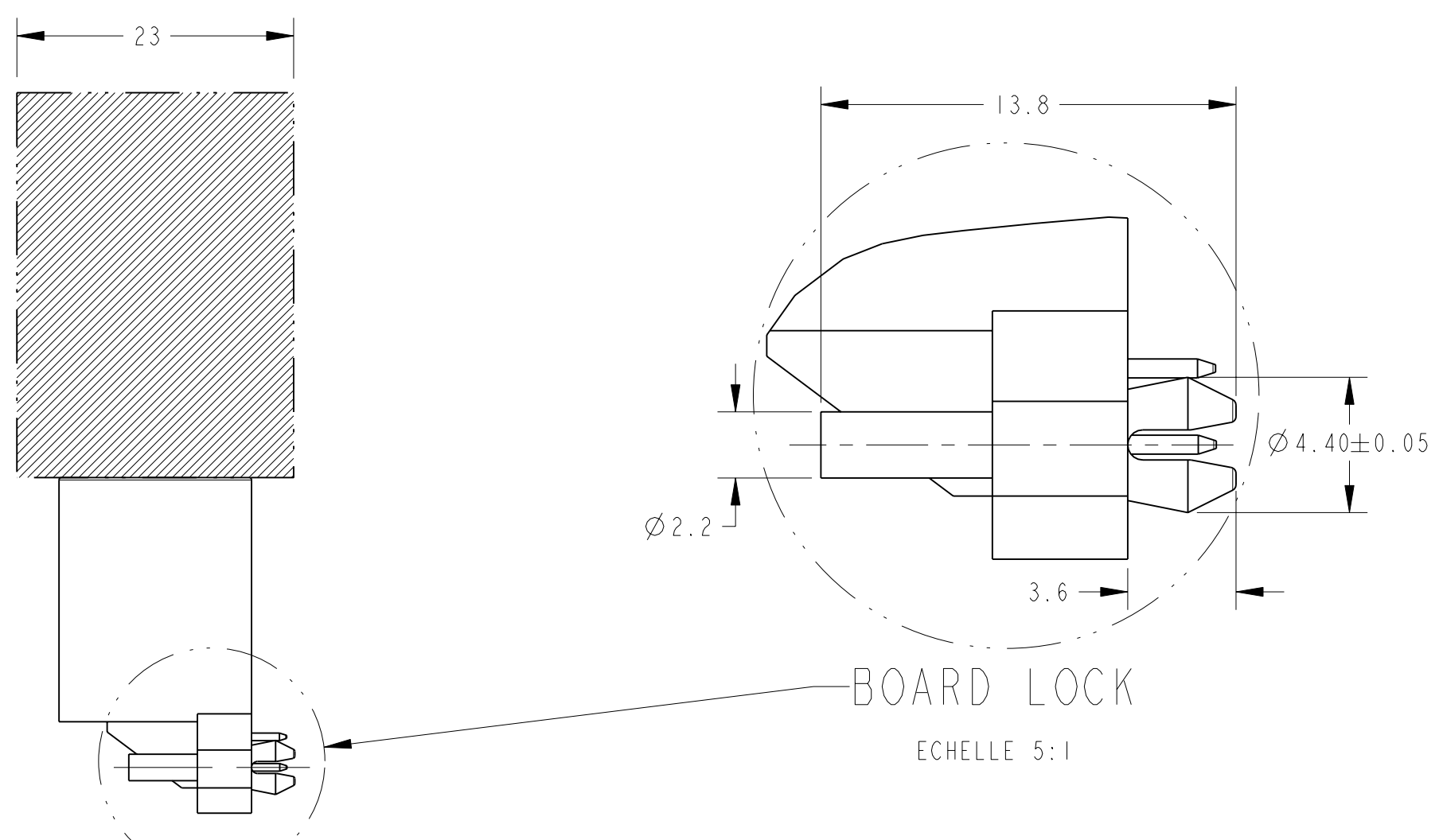
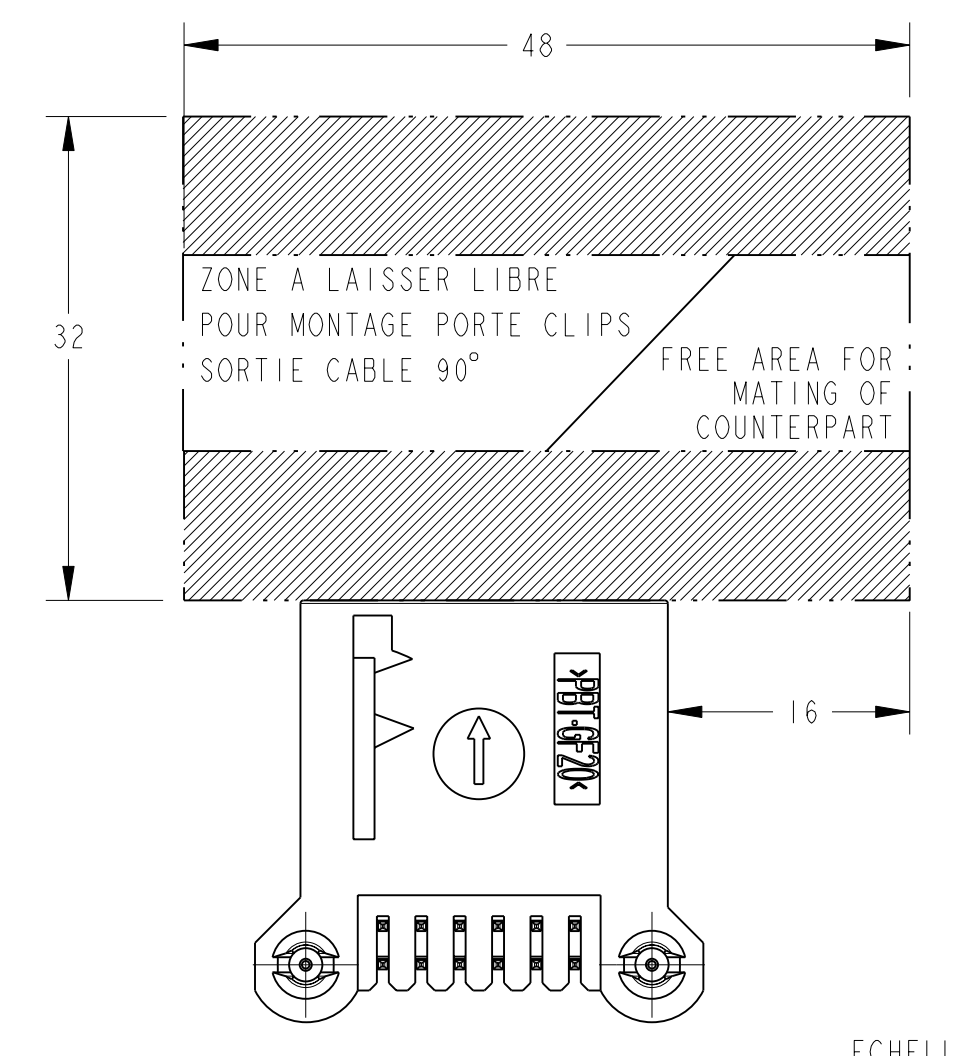


LOC	DIST	REVISIONS			
F	-	REV	DESCRIPTION	DATE	APP
		D1	REVISED PER ECO-11-005150	30MAR2011	RK HMR



- MARQUAGE (marking):**
- DATE DE FABRICATION ECHANGEABLE. (exchangeable manufacturing date).
 - LOGO "AMP" ("AMP" STAMP).
 - REFERENCE DU PRODUIT. (part number).
 - NUMERO D'EMPREINTE MOULE BOITIER. (mold cavity identification number).
 - REPERE ALVEOLE. (cavity marking).
 - IDENTIFICATION DE LA MATIERE. (material identification).
 - ACCORDING TO SPEC: 208-15544 AND 208-15574. (en accord avec les specs: 208-15544 et 208-15574).



ASSY PN	1-185740-2	185740-3	185740-2	185740-1				
6	-	-	-	-	CuSn6	BROCHE MOS COURTE (short pin MOS contact)	DORURE SELECTIVE (selective gold plating) 0.4µm mini Au sur/over 1µm mini Ni	5
6	-	-	-	-	CuSn6	BROCHE MOS LONGUE (long pin MOS contact)	DORURE SELECTIVE (selective gold plating) 0.4µm mini Au sur/over 1µm mini Ni	4
-	6	6	6	6	CuSn6	BROCHE MOS COURTE (short pin MOS contact)	POST-ETAME (post-fin)	5
-	6	6	6	6	CuSn6	BROCHE MOS LONGUE (long pin MOS contact)	POST-ETAME (post-fin)	4
-	1	-	-	-	PBT 20%GF	EMBASE CODAGE -3 (header keying -3)	MARRON (brown)	3
1	-	1	-	-	PBT 20%GF	EMBASE CODAGE -2 (header keying -2)	BLEU (blue)	2
-	-	-	1	1	PBT 20%GF	EMBASE CODAGE -1 (header keying -1)	NOIR (black)	1
QUANTITE (quantity)		MATIERE (material)		DESIGNATION (description)		FINITION (finish)		REP (item)

THIS DRAWING IS A CONTROLLED DOCUMENT.		DWN/DSSINE 27-Aug-96		A. DUBOIS		TE Connectivity	
DIMENSIONS: mm		TOLERANCES UNLESS OTHERWISE SPECIFIED (SUIV NB DE DECIMALES):		APV/D APPROVE 27-Aug-96		NAME	
0 PLG / DEC: #		1 PLG / DEC: #0.1		J. LAQUERRE		TITLE	
1 PLG / DEC: #0.30		2 PLG / DEC: #0.001		Y. PIERONLIN		EMBASE COUDEE MOS	
2 PLG / DEC: #0.001		3 PLG / DEC: #0.001		PRODUCT SPEC. PRODUCT		12 BROCHES AVEC BOARD LOCKS	
3 PLG / DEC: #0.001		4 PLG / DEC: #0.3000		APPLICATION SPEC. APPLICATION		HEADER ASSY 12 POS WITH BOARD-LOCK	
4 PLG / DEC: #0.3000		ANGLES		WEIGHT		SIZE	
FINISH		MATERIAL		CAGE CODE		DRAWING NO	
MATERIAL		FINISH		00779		185740	
MATERIAL		FINISH		CUSTOMER DRAWING / PLAN CLIENT		UNIQUEMENT / FOUR REFERENCE	
MATERIAL		FINISH		SCALE 5:1		SHEET 1 OF 1	
MATERIAL		FINISH		REV D1		REV	

单击下面可查看定价，库存，交付和生命周期等信息

[>>TE Connectivity\(泰科\)](#)