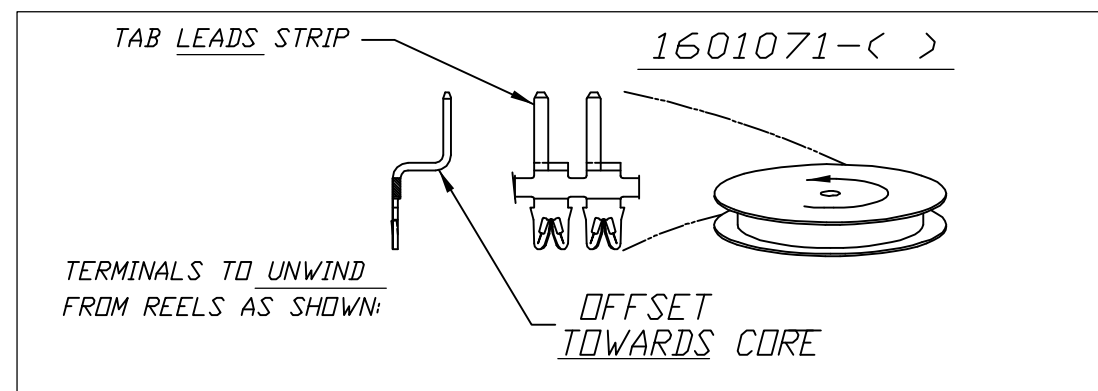
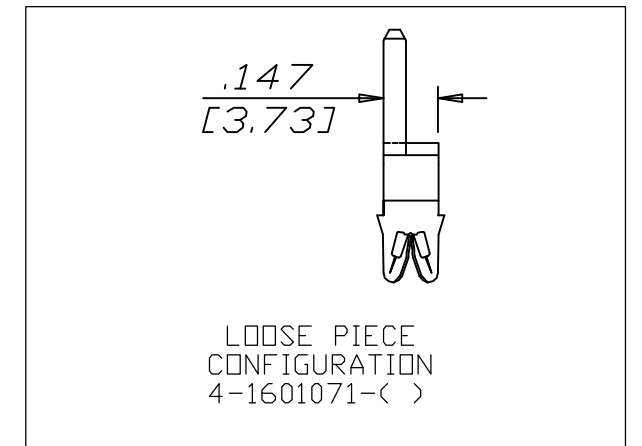
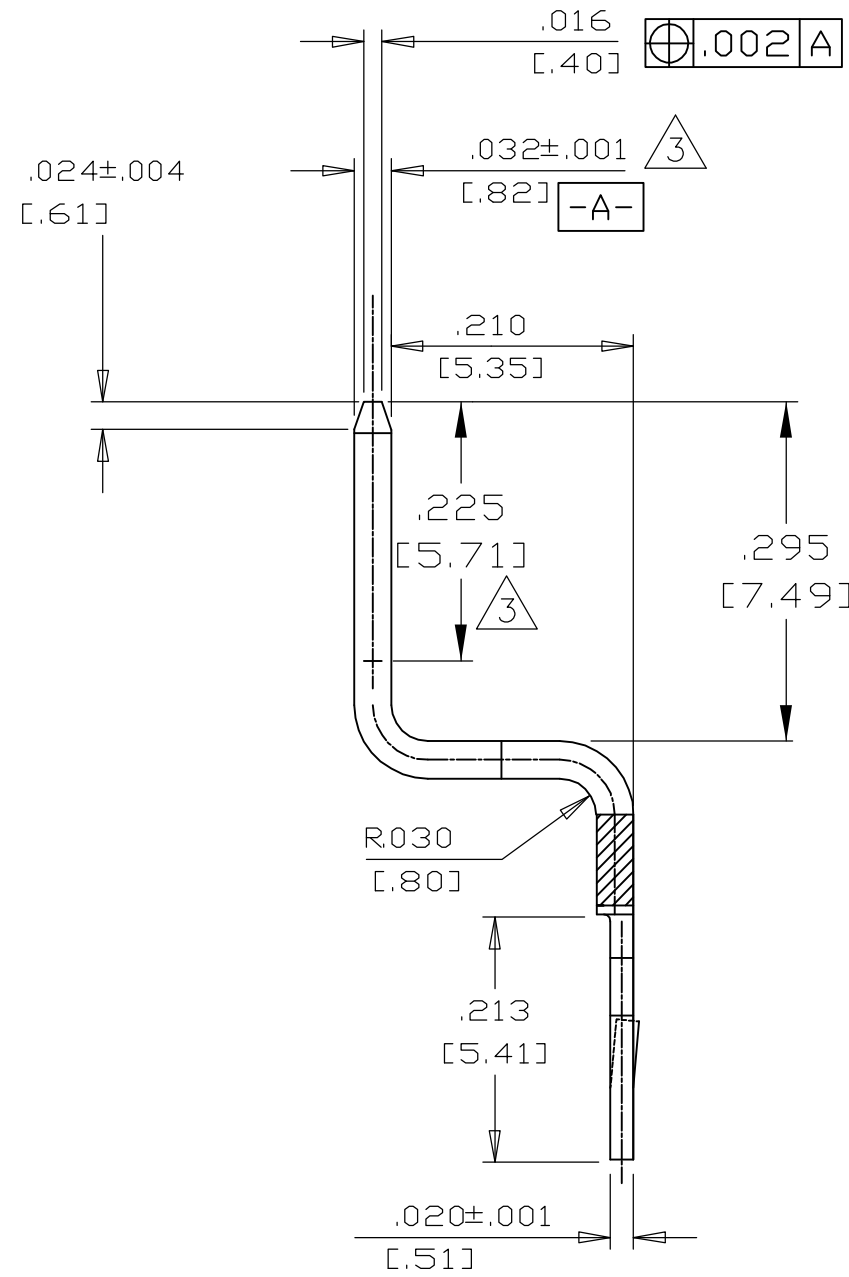
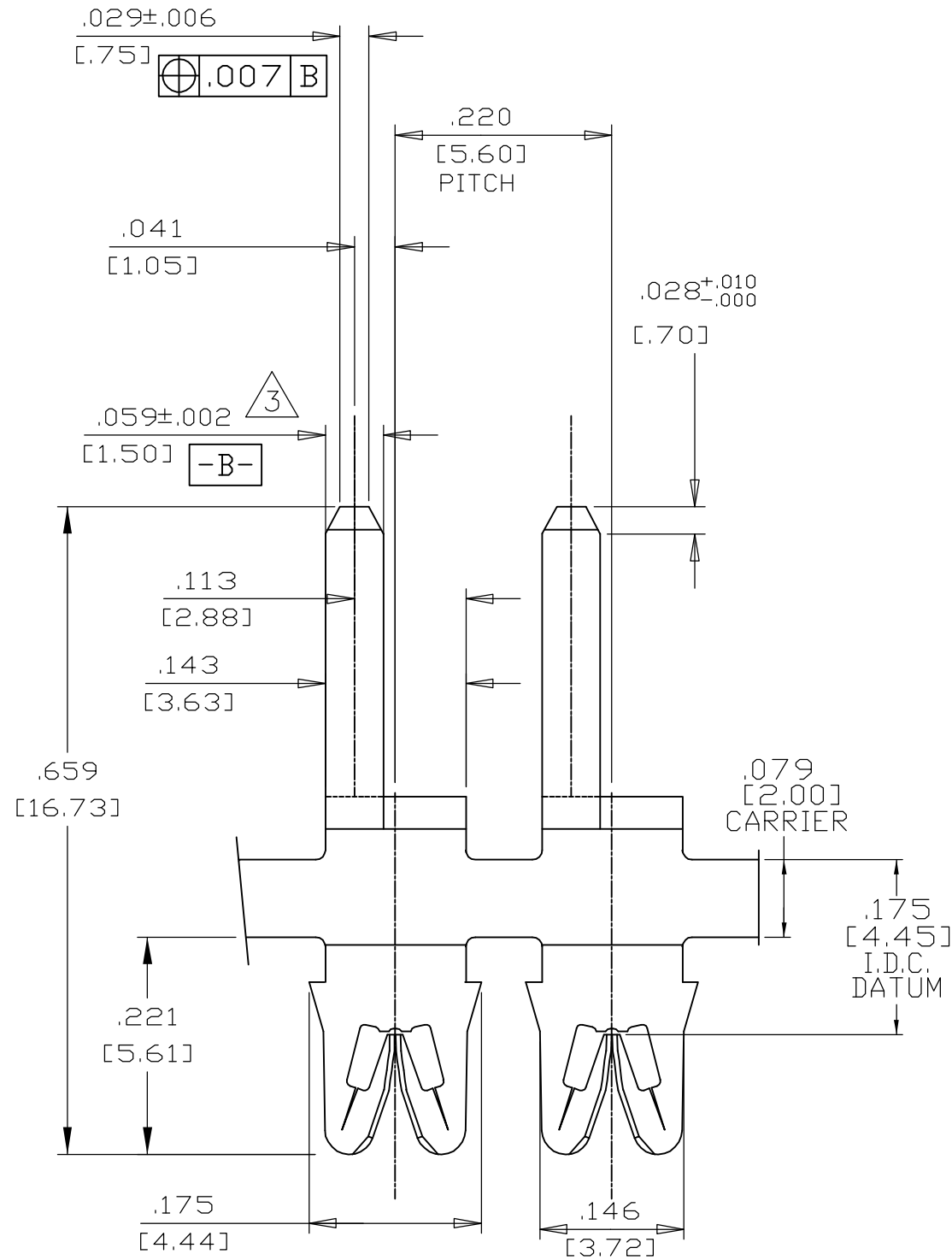
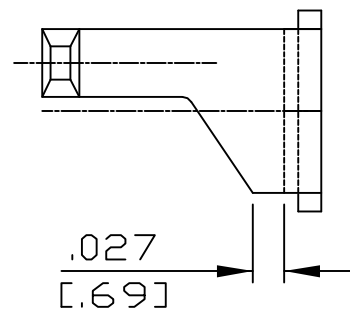


THIS DRAWING IS UNPUBLISHED. RELEASED FOR PUBLICATION
 © COPYRIGHT BY TYCO ELECTRONICS CORPORATION. ALL RIGHTS RESERVED.

LOC		DIST		REVISIONS			
P	LTR	DESCRIPTION		DATE	DWN	APVD	
AF	50	A1	REVISED PER ECR-05-012061	17OCT05	MF	GJ	

- SPECIFICATIONS: MAGNET WIRE #34-#18 AWG
.006 [0.16mm] - .040 [1.02mm] DIA COPPER.
- POCKET RECOMMENDATION: 1601431.
- MAINTAIN THICKNESS FOR THIS LENGTH AND COIN EDGES WITH NO BURRS.



-	-	-
-	-	-
-	-	-
-	-	-
Pre-Tin Plate over Copper Underplate	131-138-014	1601071-2
-	-	-
FINISH	REFERENCE PART NUMBER	TYCO PART NUMBER
THIS DRAWING IS A CONTROLLED DOCUMENT.	DWN 19FEB2002 MICHAEL S. FEHER	Tyco Electronics Corporation Harrisburg, PA 17105-3608
DIMENSIONS: INCHES	CHK 14FEB2002 KURT A. RANDOLPH	
	APVD 14FEB2002 KURT A. RANDOLPH	NAME
	TOLERANCES UNLESS OTHERWISE SPECIFIED: 0 PLC ± - 1 PLC ± - 2 PLC ± .01[0.25] 3 PLC ± .005[0.13] 4 PLC ± - ANGLES ± 2'	PRODUCT SPEC 108-2085
MATERIAL BRASS, 1/2 HARD	FINISH SEE TABLE	APPLICATION SPEC 408-8629
CUSTOMER DRAWING		SIZE A2
		CAGE CODE 00779
		DRAWING NO C=1601071
		RESTRICTED TO
		SCALE 1:1
		SHEET 1 of 1
		REV A1

单击下面可查看定价，库存，交付和生命周期等信息

[>>TE Connectivity\(泰科\)](#)