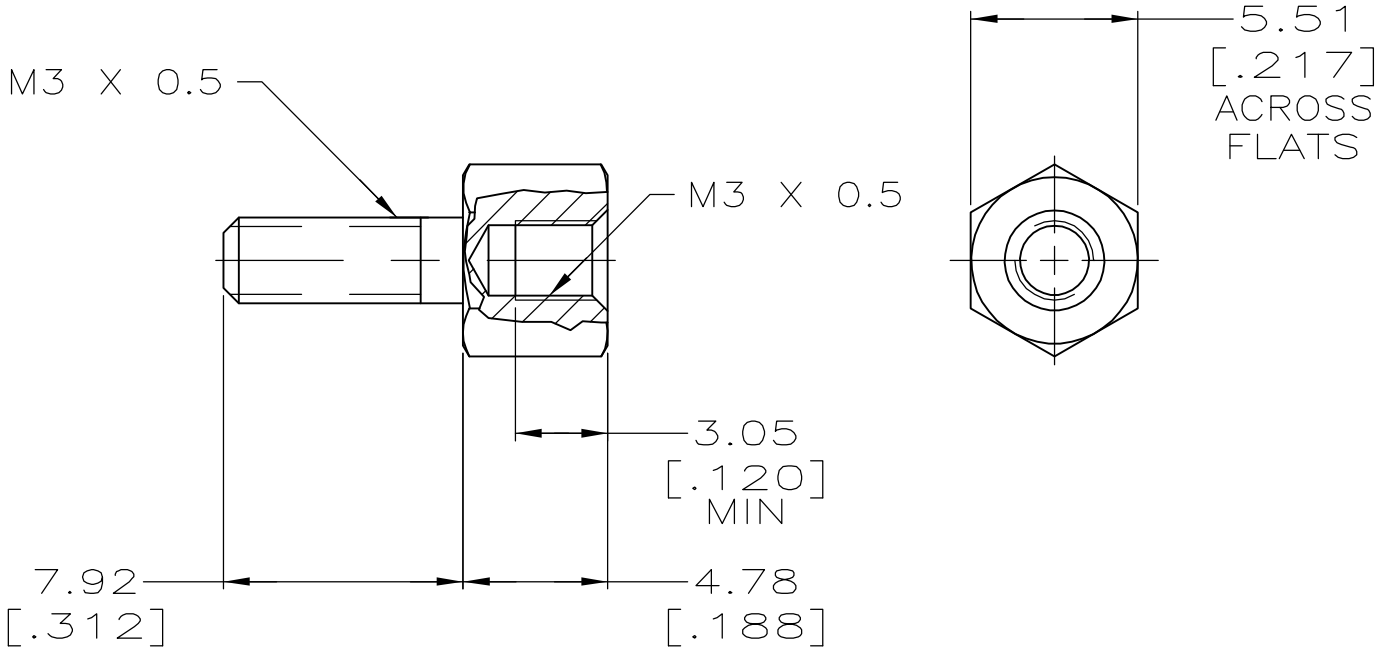


LOC	DIST	REVISIONS					
GP	00	P	LTR	DESCRIPTION	DATE	DWN	APVD
		0		RELEASED PER EC OS13-0207-05	23JUN05	RR	JG



- ① ZINC PLATED .000200-.000400 THICK, YELLOW CHROMATE COATING.
- ② ZINC PLATED .000200-.000400 THICK, CLEAR CHROMATE COATING.

②	5207882-3
①	5207882-2
FINISH	PART NUMBER

THIS DRAWING IS UNPUBLISHED.

ALL RIGHTS RESERVED. BY TYCO ELECTRONICS CORPORATION. © COPYRIGHT

DIMENSIONS: mm [INCHES]	DWN R.RICHARDSON	23JUN05	MATERIAL	CARBON STEEL	FINISH	SEE TABLE
	CHK C.ROHDE	23JUN05	Tyco Electronics Corporation Harrisburg, Pa 17105-3608			
TOLERANCES UNLESS OTHERWISE SPECIFIED:	APVD M.WALMSLEY	23JUN05				
0 PLC ± -	PRODUCT SPEC		NAME SCREWLOCK, FEMALE, HD SERIES, METRIC, AMPLIMITE			
1 PLC ± -	-					
2 PLC ± 0.13 [.005]	APPLICATION SPEC		SIZE	CAGE CODE	DRAWING NO	RESTRICTED TO
3 PLC ± -	-		A4	00779	②-5207882	-
4 PLC ± -	WEIGHT		-			
ANGLES ± -	-		-			
			CUSTOMER DRAWING		SCALE	4:1
			SHEET		1	OF 1
			REV		0	

单击下面可查看定价，库存，交付和生命周期等信息

[>>TE Connectivity\(泰科\)](#)