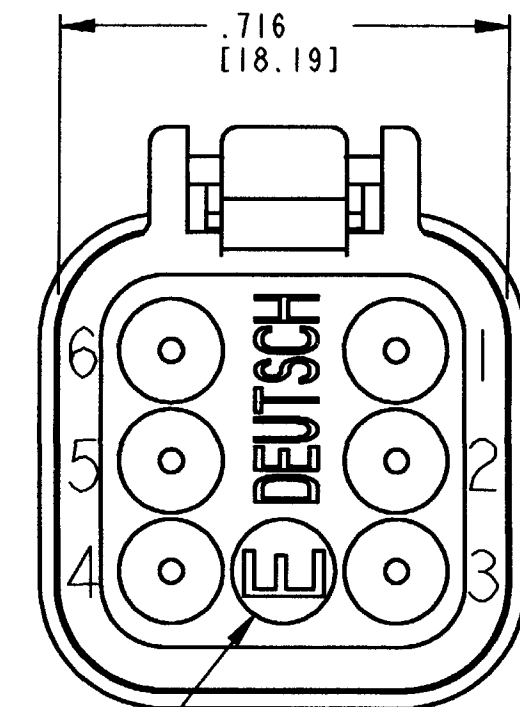
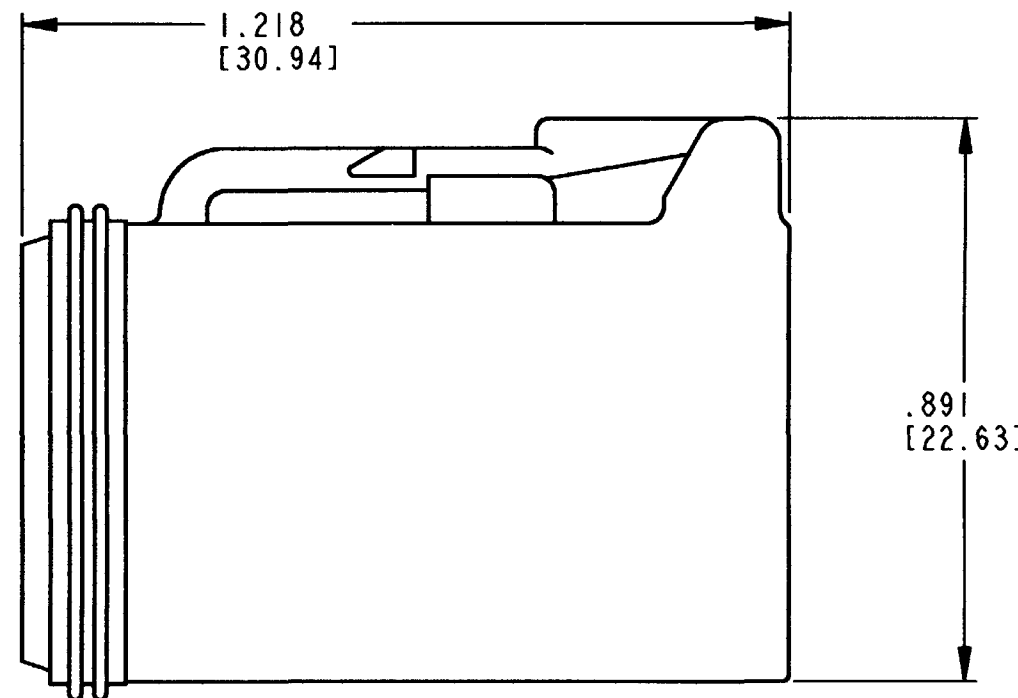
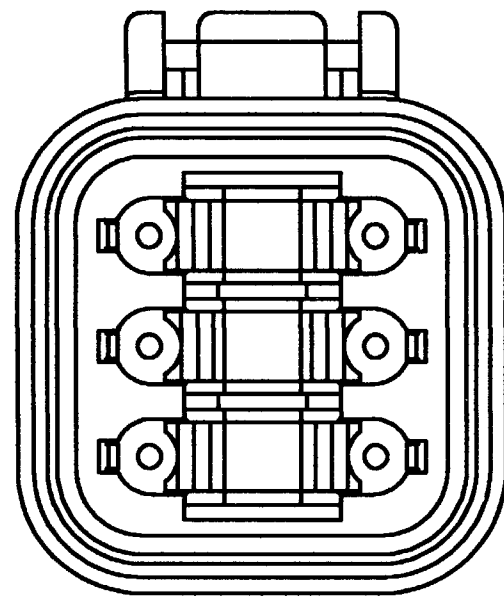


CONTACT SIZE	MIN. INSUL O.D.	MAX. INSUL O.D.	WIRE RANGE [mm <sup>2</sup> ]
16	.053 [1.35]	.120 [3.05]	14-20 AWG [2.0-0.5]

REV A DT06-6S-CE06

REVISIONS			
SYM	DESCRIPTION	DATE	APPROVED
NC	NEW RELEASE PER E.O. P15980	3/31/99	R.D.R
A	REVISED PER E.O. P18362	10-29-03	<i>[Signature]</i>



← DESIGNATES -E- WIRE SEALS

- 5. THIS PLUG MATES WITH THE DT04-6P-\*\*\*\* RECEPTACLE (\*\*\*\* = ALL MODIFICATIONS).
- 4. FOR MORE INFO. SEE ENVELOPE DRAWING 0425-017-0000 AND 0425-015-0000.
- 3. CONSULT FACTORY FOR SPECIFICATIONS AND APPLICATION.
- 2. ALL DIMENSIONS ARE ±.025 [0.63] UNLESS OTHERWISE SPECIFIED.

NOTES: 1. ALL DIMENSIONS ARE INCHES (MILLIMETERS).

SIGNATURE & DATE	
DR	D. SPENCER 18MAR99
CHK	<i>[Signature]</i> 10/29/03
PE	<i>[Signature]</i> 10/29/03
APPD	<i>[Signature]</i> 10-29-03
SCALE	3.5:1 WT

6 WAY PLUG  
CE06 MOD.  
DT SERIES

ENVELOPE

CP	MATL. CODE
<b>The Deutsch Company</b> DEUTSCH I. P. D. 3850 INDUSTRIAL AVE. HEMET, CALIF. 92545	
<b>B</b>	<b>DT06-6S-CE06</b>
DWG SIZE	CODE 11139 SHEET   OF

单击下面可查看定价，库存，交付和生命周期等信息

[>>TE Connectivity\(泰科\)](#)