

CABLE, ELECTRIC, FILTER LINE - ELECTROLOSS™
ONE COMPONENT

5 December 1985

150°C

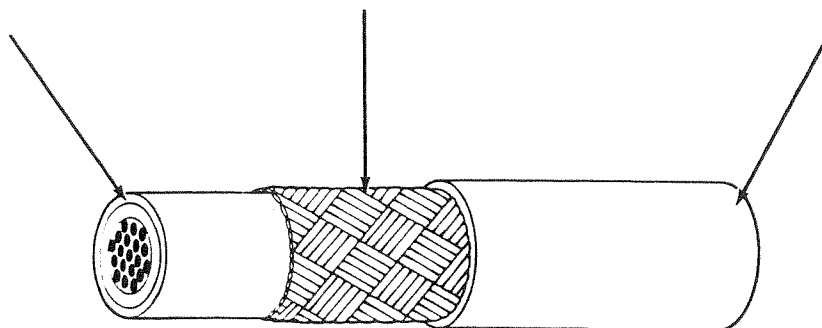
Revison D

The complete requirements for procuring the cable described herein shall consist of this document and the issue in effect of Raychem Specification 55F.

COMPONENT WIRE - 55FA0414

SHIELD - TIN-COATED COPPER

JACKET - RADIATION-CROSSLINKED,
MODIFIED CONDUCTIVE ETFE



PART NUMBER	CONDUCTOR SIZE (AWG)	SHIELD SIZE (AWG)	JACKET THICKNESS (in.)		OUTSIDE DIAMETER (in.)		MAXIMUM WEIGHT (lbs/1000 ft.)
			MINIMUM	NOMINAL 1/	NOMINAL 1/	MAXIMUM	
			55FB1414-26-*	26	38	.006	
55FB1414-24-*	24	38	.006	.008	.086	.090	8.5

1/ Nominal values are for information only. Nominal values are not requirements.

CABLE RATINGS AND ADDITIONAL REQUIREMENTS

TEMPERATURE RATING: 150°C
 Maximum continuous conductor temperature
 VOLTAGE RATING: 600 volts (rms) at sea level
 BLOCKING: 200 ± 3°C for 6 hours
 COLOR STRIPING DURABILITY: 125 cycles (250 strokes) (minimum), 500 grams weight
 CROSSLINKING PROOF TEST (ACCELERATED AGING): 300 ± 3°C for 7 hours
 FLAMMABILITY: 3 seconds (maximum); 3 in. (maximum); no flaming of facial tissue
 IDENTIFICATION DURABILITY: 125 cycles (250 strokes) (minimum), 500 grams weight
 IMMERSION: 5% (maximum) diameter increase, no cracking of jacket
 JACKET COLOR: Black
 JACKET CONCENTRICITY: 70% (minimum)
 JACKET ELONGATION AND TENSILE STRENGTH:
 Elongation, 50% (minimum)
 Tensile Strength, 3500 psi (minimum)

JACKET FLAWS: Not Applicable
 LIFE CYCLE: 200 ± 3°C for 168 hours
 LOW TEMPERATURE-COLD BEND: -65 ± 2°C for 4 hours
 SHIELD COVERAGE: 85% (minimum)
 THERMAL SHOCK: Oven temperature, 150 ± 3°C .125 in. (maximum)
 VOLTAGE WITHSTAND (DIELECTRIC): Conductor to shield, 1500 volts (rms), 60 Hz
 VOLTAGE WITHSTAND (POST-ENVIRONMENTAL): Not Applicable

PART NUMBER:
 The "*" in the part numbers above shall be replaced by color code designators in accordance with MIL-STD-681; except that violet shall be light violet and the designator shall be 7L; with a dash separating the component wire color from the jacket color.
 Example: AWG 24, light violet component wire, black jacket: 55FB1414-24-7L-0.

Raychem

Raychem Corporation
 300 Constitution Drive, Menlo Park, California 94025
 415) 361 3333 TWX 910 373 1205

THIS SPECIFICATION SHEET TAKES PRECEDENCE OVER DOCUMENTS REFERENCED HEREIN.
 REFERENCED DOCUMENTS SHALL BE OF THE ISSUE IN EFFECT ON DATE OF INVITATION FOR BID.

单击下面可查看定价，库存，交付和生命周期等信息

[>>TE Connectivity\(泰科\)](#)