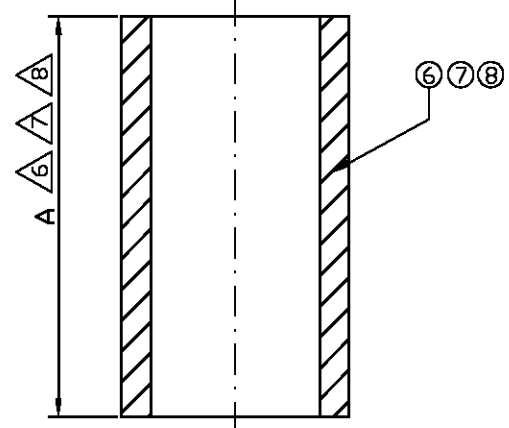
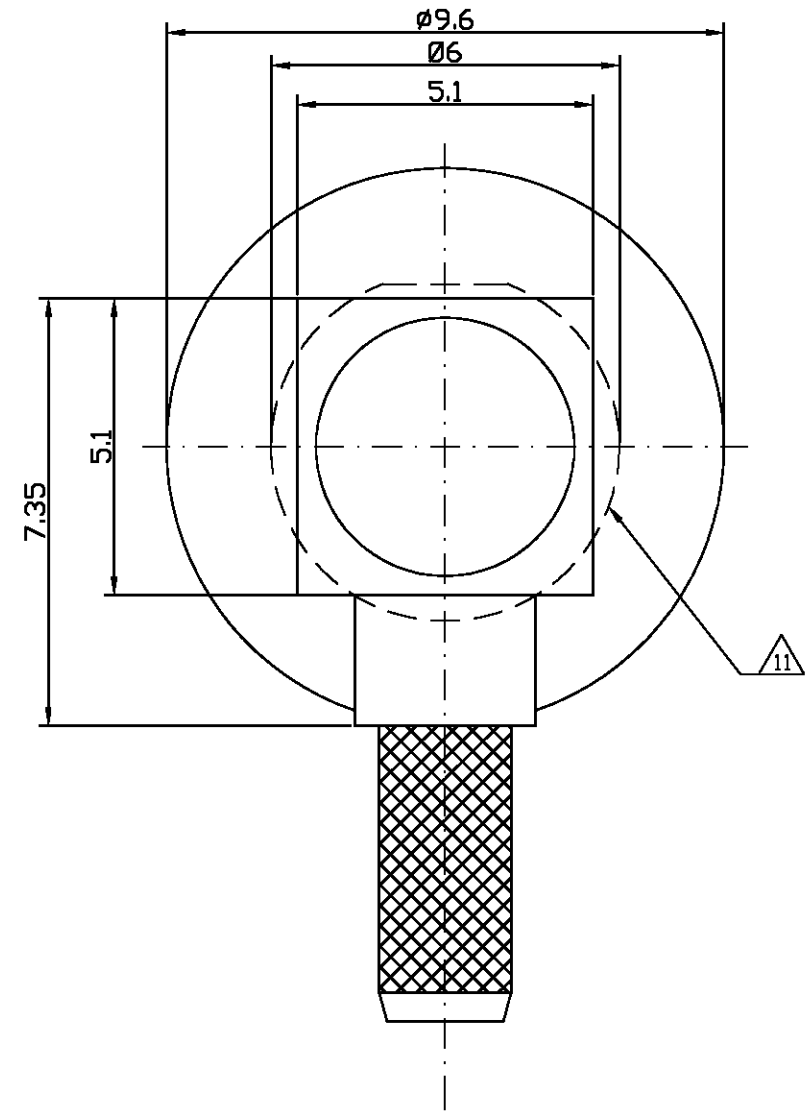
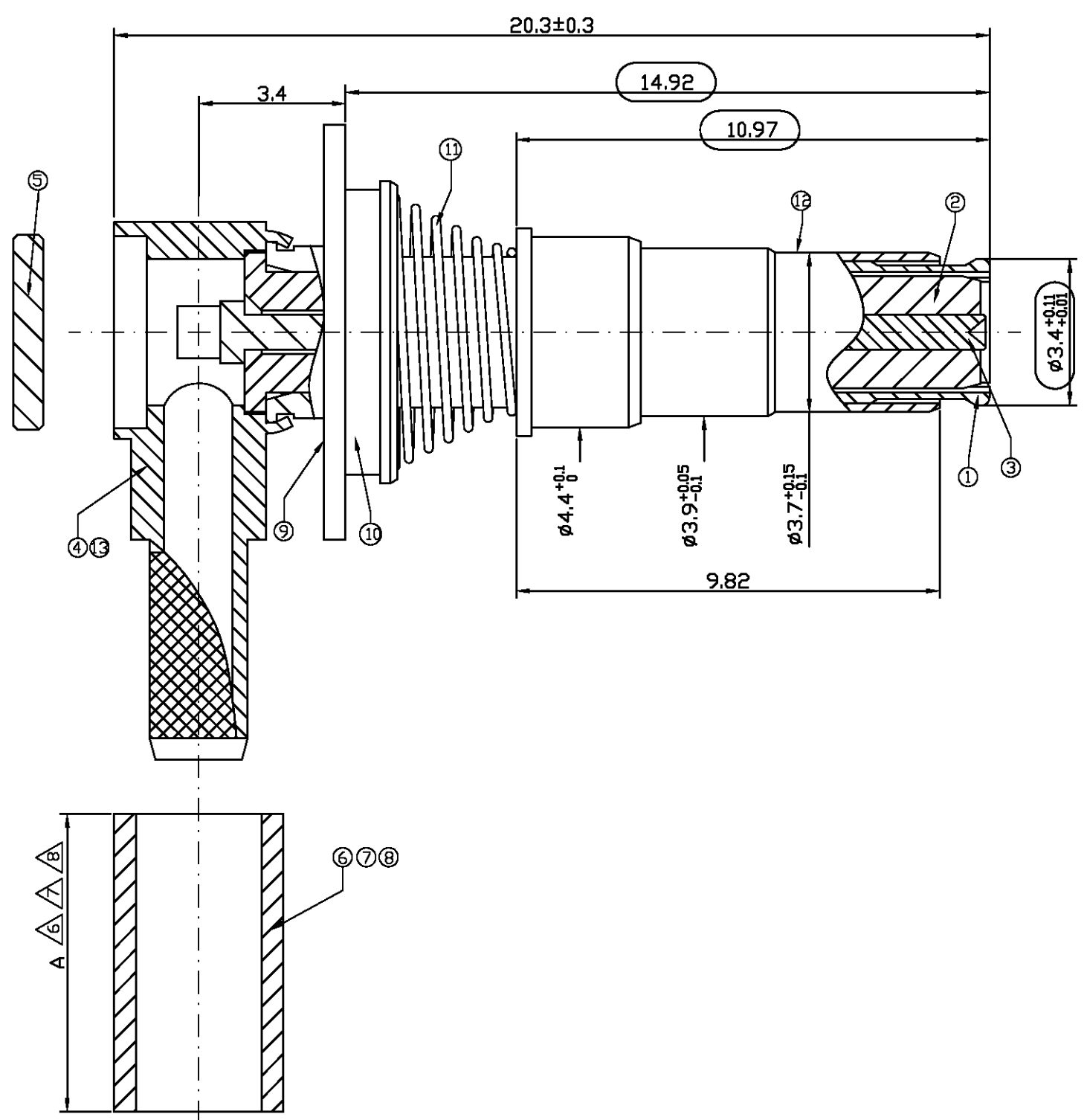


DRAWING NR. 619078

DO NOT SCALE THIS DRAWING	SPECIFICATIONS SUBJECT TO CHANGE	DRAWING VALID FROM	DRAWING PROTECTED BY © COPYRIGHT 1998
ARRETES NON COTEES PAS A L'EHELLE	LES DONNEES TECHNIQUES PEUVENT ETRE CHANGEES	DESSIN VALABLE DEPUIS LE	AMP COMPANY, ALL RIGHTS RESERVED

REV.	CHANGE	DATUM	NAME
02	Note "This product has not completed validation testing"	21.11.00	Gendre O.
03	NEW DASHES -3 AND 5--3 FOR A NEW FERRULE	25.07.01	Gendre O.
04	TOLERANCE CHANGE ON $\phi 3.7$	19.12.01	Gendre O.
05	EW00 0031 02	14.02.02	Gendre O.
A	alternative shape of crimp end	28.03.03	Mattheuws
A1	REVISED PER ECO-09-026444	17DEC09	KK



ITEM NO.	PIECES	DESCRIPTION	MATERIAL	PLATING
-	-	-	-	-
DRAWN BY		07.06.00	CHEKED BY	07.06.00
K. DONNET			A. BOTTA	

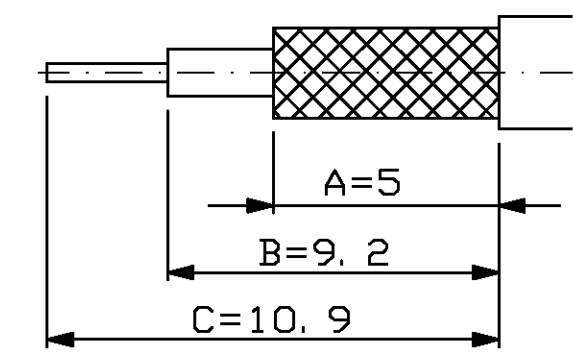
tyco Electronics		DSM AN AMP COMPANY ST MAURICE, SWITZERLAND	
DESCRIPTION COAXICON® SERIES MOBILE PHONE PROTECTED FRONT CONTACT CABLE PLUG LONG VERSION			C
COAXICON® SERIE TELEPHONE MOBILE PRISE FRONTALE PROTEGEE POUR CABLE LONGUE VERSION			
DIMENSIONS WITH ANY TOLERANCE		FORMAT	DRAWING NR.
± 0.2 ± 5°		A3	619078
SCALE	SHEET	REV.	
8:1	1 OF 2	A1	

DRAWING NR. 619078

DO NOT SCALE THIS DRAWING	SPECIFICATIONS SUBJECT TO CHANGE	DRAWING VALID FROM	DRAWING PROTECTED BY © COPYRIGHT1998	REV.	CHANGE	DATUM	NAME
ARRETES NON COTEES PAS A L'ECHELLE	LES DONNEES TECHNIQUES PEUVENT ETRE CHANGEES	DESSIN VALABLE DEPUIS LE	AMP COMPANY, ALL RIGHTS RESERVED		SEE SHEET ONE OF A1		
		13/03					

- 1 PLATING : 0.1-0.2µm Au
OVER MIDDLE 4.0µm NiP
PLAQUAGE : Au 0.1-0.2µm
SUR MOYEN 4.0µm NiP
- 2 Ni-PL., 2.0µm MIN.-4.0µm MAX. THK.
Plaquage Ni 2.0µm MIN.-4.0µm MAX. d'épaisseur
- 3 CABLE : RG 174
Cable : RG 174
- 4 1 CONNECTOR PACKED IN PLASTIC BAG
1 CONNECTEUR EMBALLE DANS UN SACHET PLASTIQUE
- 5 5x100 PARTS PACKED IN PLASTIC BAGS, EACH
SEPARATELY, ALL PACKED IN A CARD BOX
5x100 PIECES EMBALLEES SEPAREMENT DANS UN SACHET
PLASTIQUE, TOUS EMBALLES DANS UNE BOITE EN CARTON
- 6 HAND CRIMPING TOOL FOR POS 6
PN 734537-2 (HEX3.25)
OUTIL DE SERTISSAGE A MAIN POUR POS 6
PN 734537-2 (HEX3.25)
- 7 HAND CRIMP TOOL FOR POS. 7
AMP-PN 354940-1 WITH AMP-PN 58425-2.
OUTIL DE SERTISSAGE A MAIN POUR POS. 7
AMP-PN 354940-1 AVEC AMP-PN 58425-2.
- 8 HAND CRIMP TOOL FOR POS. 8
TYCO PN 354940-1 (HEX. 3.84)
OUTIL DE SERTISSAGE A MAIN POUR POS. 8
TYCO PN 354940-1 (HEX. 3.84)
- 9 HANDTOOL TO CRIMP THE LID
(POS. 5) PN 726878-1
OUTIL DE SERTISSAGE A MAIN POUR LE
CAPUCHON (POS. 5) PN 726878-1
- 10 CABLE RG 316d
CABLE: RG 316d
- 11 ALTERNATIVE ROUND SHAPE FOR CRIMP END
- 12 OBSOLETE PARTS: OBSOLETE
CIS STREAMLINING PER
D.RENAUD/D.SINISI

STRIPPING DIMENSIONS
DIMENSIONS DE DENUDAGE



1	-	-	-	12	-	12	13	SHELL ANGLE BOITIER D'ANGLE	CuZn/ZnAl	2
1	1	1	1	12	1	12	12	SAFETY RING ANNEAU DE PROTECTION	CuZn	2
1	1	1	1	11	1	11	11	SPRING RESSORT	INOX STEEL	
1	1	1	1	10	1	10	10	SPRING SUPPORT GUIDE RESSORT	CuZn	2
1	1	1	1	9	1	9	9	WASHER RONDELLE	CuZn	2
1	1	-	-	8	-	8	8	FERRULE A= 9,6 BAGUE DE SERTISSAGE	SFCu	2
-	-	1	-	7	1	7	7	FERRULE A= 9,6 BAGUE DE SERTISSAGE	SFCu	2
-	-	-	1	6	-	6	6	FERRULE A=6,9 BAGUE DE SERTISSAGE	SFCu	2
1	1	1	1	5	1	5	5	LID CAPUCHON	CuZn	2
-	1	1	1	4	1	4	4	SHELL ANGLE BOITIER D'ANGLE	CuZn/ZnAl	2
1	1	1	1	3	1	3	3	CENTER CONTACT CONTACT CENTRAL	CuZn	1
1	1	1	1	2	1	2	2	DIELECTRIC DIELECTRIQUE		
1	1	1	1	1	1	1	1	OUTER SHELL CONTACT EXTERIEUR	Phosphorbronze	1

5--4	5--3	5--2	5--1	-3	-2	-1	ITEM NO.	DESCRIPTION	MATERIAL	PLATING
3 5	5 10	3 5	3 5	4 10	3 4	3 4				
							DRAWN BY	07.06.00	CHEKED BY	07.06.00
							K. DONNET		A. BOTTA	

tyco
Electronics

DSM AN AMP COMPANY
ST MAURICE, SWITZERLAND

DESCRIPTION
COAXICON® SERIES MOBILE PHONE
PROTECTED FRONT CONTACT CABLE PLUG
LONG VERSION

COAXICON® SERIE TELEPHONE MOBILE
PRISE FRONTALE PROTEGEE POUR CABLE
LONGUE VERSION

C

DIMENSIONS WITH ANY TOLERANCE ± 0.2	FORMAT A3	DRAWING NR. 619078
SCALE 10:1	SHEET 2 OF 2	REV. A1

单击下面可查看定价，库存，交付和生命周期等信息

[>>TE Connectivity\(泰科\)](#)