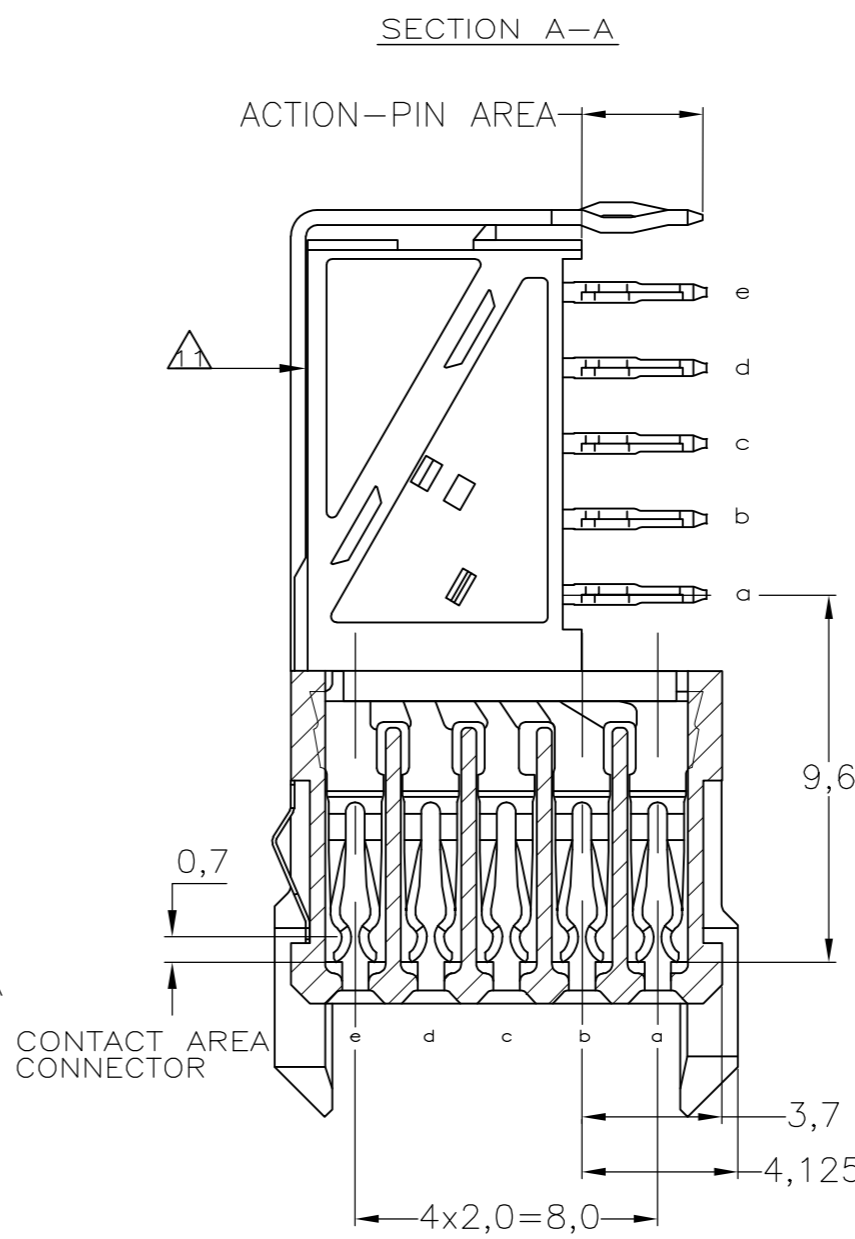
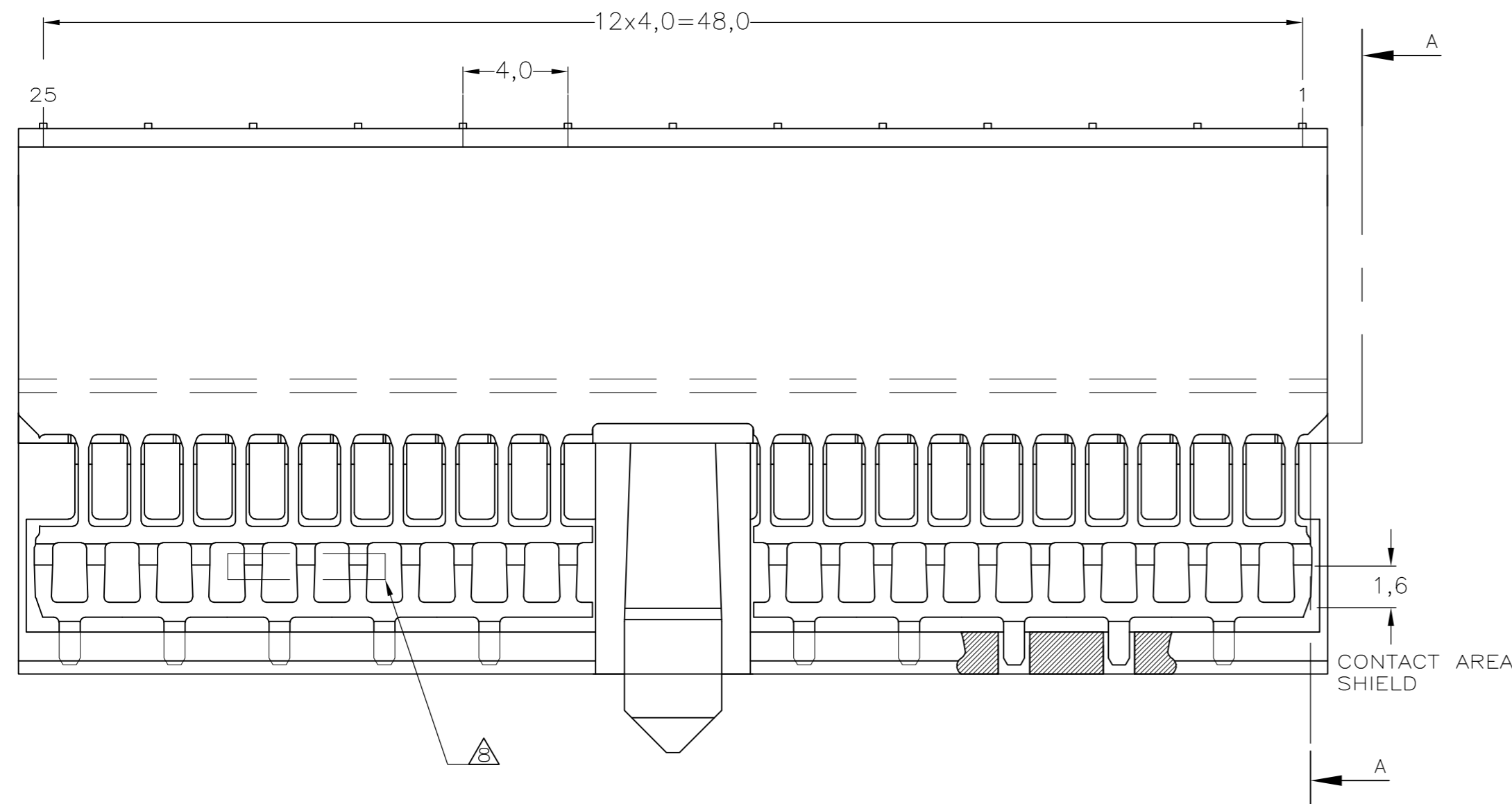
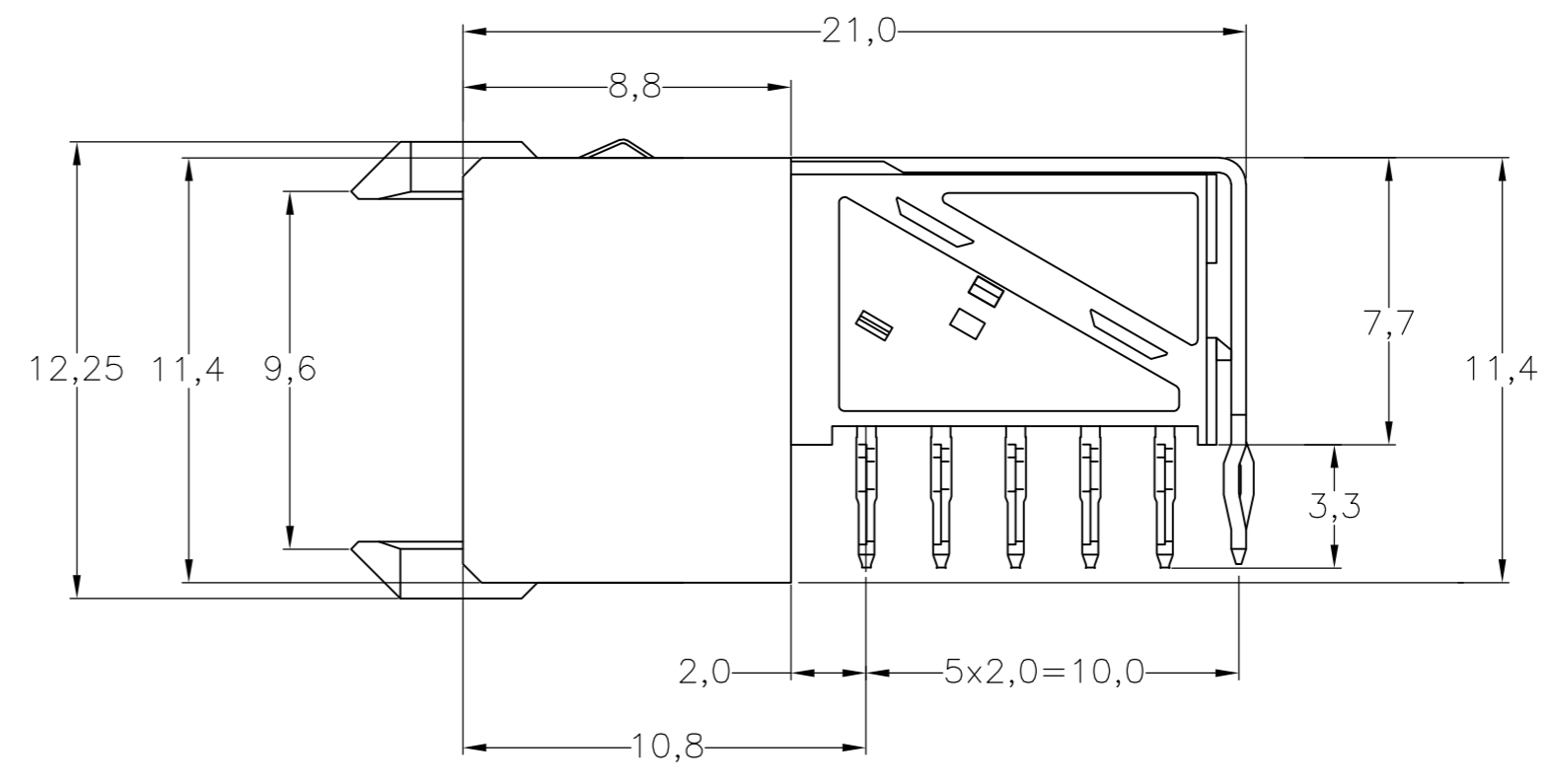
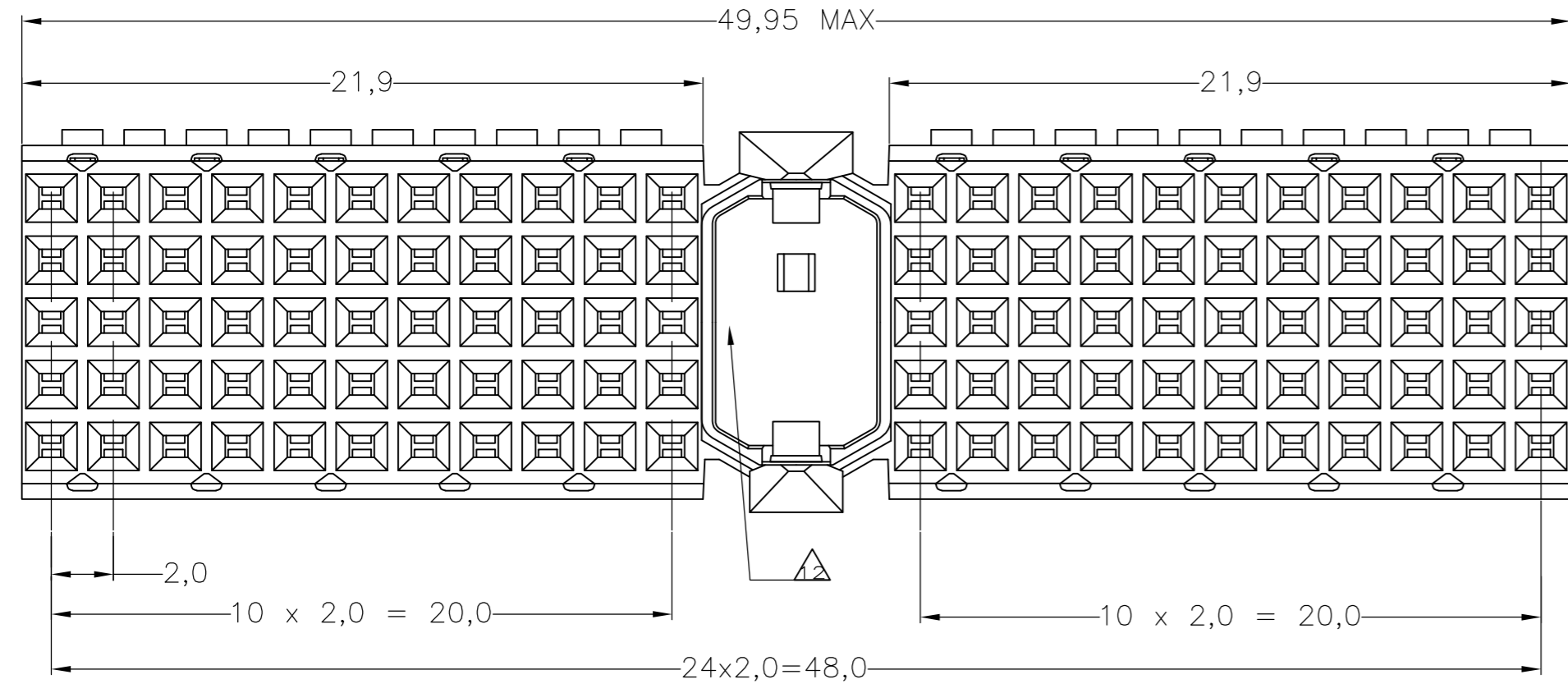


THIS DRAWING IS UNPUBLISHED. RELEASED FOR PUBLICATION  
 © COPYRIGHT - By - ALL RIGHTS RESERVED.

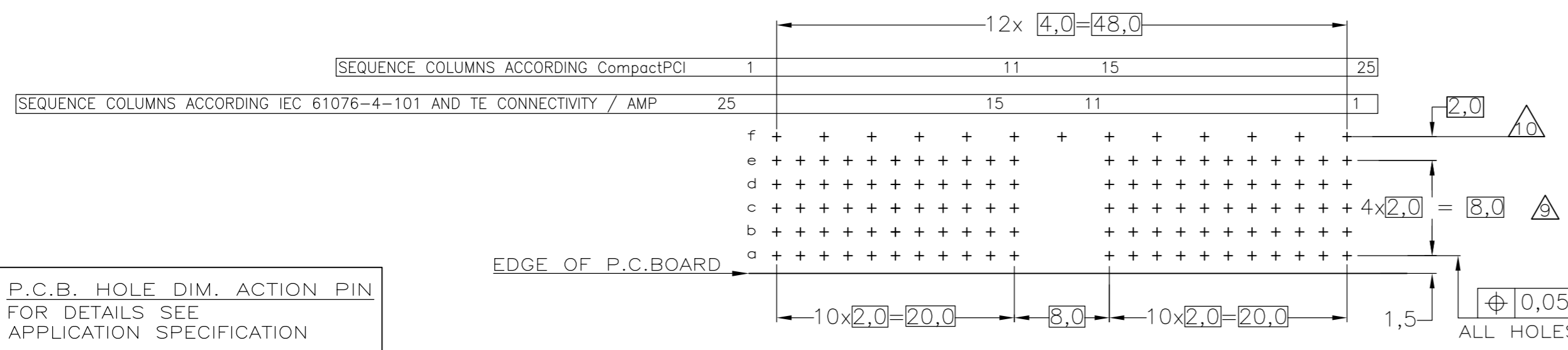
REVISIONS					
P	LTR	DESCRIPTION	DATE	DWN	APVD
N		ECR-16-013251	12JUL2017	FL	SY



- NOTES:
- 1 MATERIAL CONTACTS; PHOSPHORBRONZE
  - 2 MATERIAL HOUSING; GLASSFILLED POLYESTER (GRAY)
  - 3 GENERAL PLATING SPECIFICATION: UNDERPLATING (ENTIRE CONTACT): 1,27µm NICKEL MIN. AND ACTION PIN: 0,5µm TIN-LEAD MIN. FOR PLATING OF MATING SURFACES SEE APPLICABLE SPECIFICATION REFERENCE FOR EACH DASH NUMBER.
  - 4 CONFORMS TO ALL TESTING ACCORDING IEC 61076-4-101 PERFORMANCE LEVEL 2.
  - 5 CONFORMS TO ALL TESTING ACCORDING IEC 61076-4-101 PERFORMANCE LEVEL 1.
  - 6 CONNECTOR TESTED AND QUALIFIED AGAINST TELCORDIA GR-1217-CORE QUALITY LEVEL III, CENTRAL OFFICE APPLICATIONS. CONNECTOR LUBRICATED WITH TELCORDIA GR-1217-CORE APPROVED LUBRICANT.
  - 8 ASSEMBLY PRINTED WITH P/N AND DATECODE THE MARKING CAN APPEAR ON THE FRONT SIDE OR BACK SIDE.
  - 9 HOLE PATTERN FOR FEMALE CONNECTOR TYPE A 110 PLATED-THROUGH HOLES AT 2x2mm SQUARE GRID
  - 10 ROW "f" 13 PLATED THROUGH HOLES FOR UPPERSHIELD
  - 11 SHIELD MOUNTED ON CONNECTOR WITH DOUBLE SIDED ADHESIVE TAPE OR ADHESIVE
  - 12 AREA RESERVED FOR KEYING PART (BASIC P.N. 100526)
  - 13 BASIC P.N. LOWERSHIELD: 338108
  - 14 0.76µm MIN GOLD PLATING AT MATING SURFACES.



COMPONENT SIDE AS SHOWN  
 RECOMMENDED PCB-HOLE LAY-OUT  
 SCALE 2,5:1



P.C.B. HOLE DIM. ACTION PIN  
 FOR DETAILS SEE  
 APPLICATION SPECIFICATION

OBSOLETE	2 3 4	3-352068-0
OBSOLETE	2 3 4	352068-9
	2 4	352068-4
	2 3	352068-1
	FINISH	MATERIAL
		PARTNUMBER

THIS DRAWING IS A CONTROLLED DOCUMENT.

DIMENSIONS: mm

TOLERANCES UNLESS OTHERWISE SPECIFIED: ±0.2

MATERIAL: -

FINISH: -

DWN: D. TRUREN

CHK: -

APVD: -

PRODUCT SPEC: 108-19082

APPLICATION SPEC: 114-19029

WEIGHT: 0.000000

CUSTOMER DRAWING

TE Connectivity

Z-PACK 2MM HM  
 TYPE A - 25 COLUMNS  
 PRE-SHIELDED RECEPTACLE

SIZE: A2

CAGE CODE: 00779

DRAWING NO: C=352068

RESTRICTED TO: -

SCALE: NTS

SHEET: 1 of 1

REV: N

单击下面可查看定价，库存，交付和生命周期等信息

[>>TE Connectivity\(泰科\)](#)