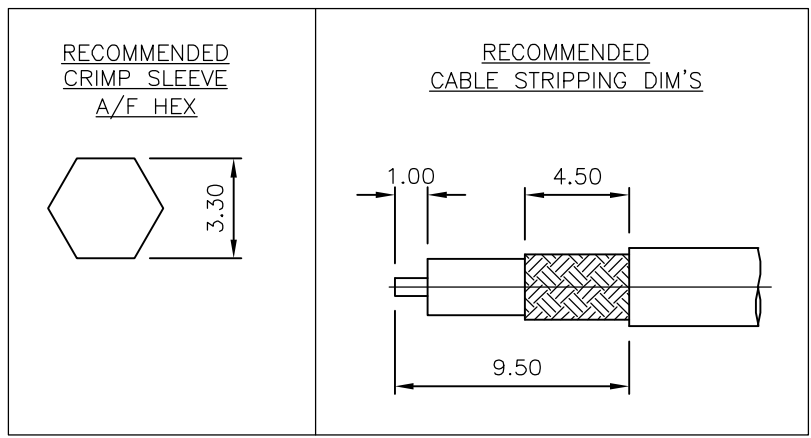
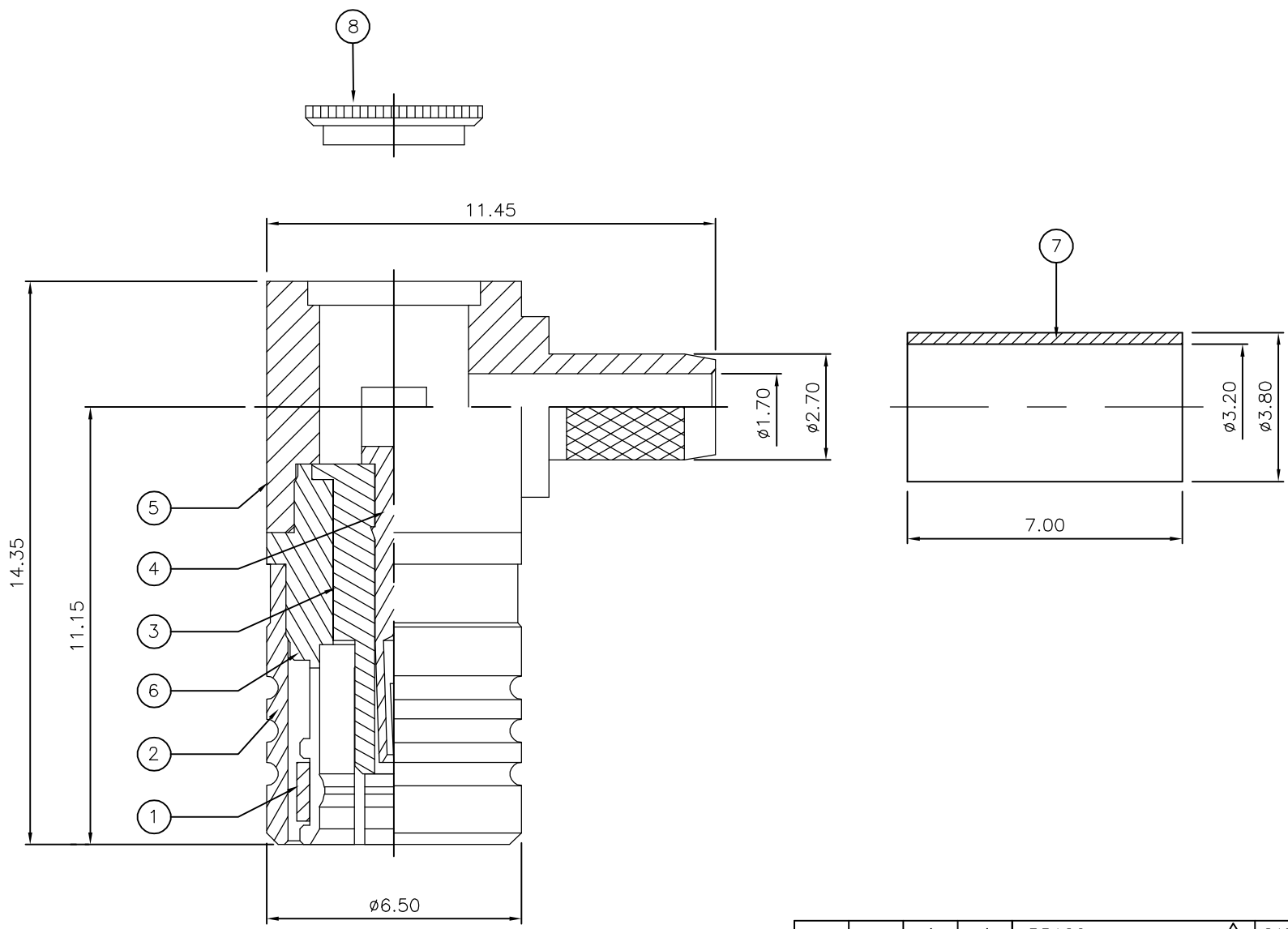


THIS DRAWING IS UNPUBLISHED. RELEASED FOR PUBLICATION JAN , 2006.
 © COPYRIGHT 2006 BY TYCO ELECTRONICS CORPORATION. ALL RIGHTS RESERVED.

LOC	DIST	REVISIONS					
E	B	P	LTR	DESCRIPTION	DATE	DWN	APVD
		D		ECR-06-017313	18JUL06	JMS	FWK

- NOTES:**
- 1 PACK IN ACCORDANCE WITH AMP SPEC 107-3275
 - 2 100 TRAY PACK IN ACCORDANCE WITH AMP SPEC 107-3275
 - 3 Au PLATING
 - 4 HAND TOOL : 9-1478240-0
 - 5 DIE SET : 9-1478248-0
 - 6 ELECTRICAL CHARACTERISTICS
 FREQUENCY RANGE: DC - 4 GHz
 NOMINAL IMPEDANCE: 50 Ohm
 INSULATION RESISTANCE: 1000 MOhm
 WORKING VOLTAGE: 250 Volts RMS at Sea Level
 DIELECTRIC WITHSTAND VOLTAGE: 750 Volts RMS Max
 CONTACT RESISTANCE:
 CENTRE CONTACT: 6.00 mOhm Max
 OUTER CONTACT: 1.00 mOhm Max
 VSWR @ 3GHz: 1.63:1
 INSERTION LOSS dB @ x 1.5 GHz: 0.60 Max
 - 7 MECHANICAL CHARACTERISTICS
 COUPLING NUT RETENTION FORCE: N/A
 CABLE RETENTION FORCE:
 RG174A/U, 188A/U, 316/U, URM95: 85N Min
 DURABILITY: 500 Cycles Min
 - 8 ENVIRONMENTAL CHARACTERISTICS
 OPERATING TEMPERATURE: -65 to +165 DegC
 - 9 FOR TECHNICAL DATA REFER TO YOUR LOCAL TYCO ELECTRONICS SALES OFFICE
 - 10 ALL DIMENSIONS ARE NOMINAL FOR REFERENCE ONLY UNLESS OTHERWISE STATED



QTY	QTY PER ASSY	MATERIAL	DESCRIPTION	ITEM
1	1	BRASS	CAP	8
1	1	BRASS	FERRULE	7
1	1	BRASS	BODY	6
1	1	BRASS	CHASSIS	5
1	1	BERYLLIUM COPPER	CONTACT	4
1	1	PTFE	INSULATION	3
1	1	BRASS	SHELL	2
1	1	BERYLLIUM COPPER	SPRING	1
6--0	1--0			

THIS DRAWING IS A CONTROLLED DOCUMENT.		DWN J.SANDWELL 10JAN06	Tyco Electronics Corporation Bideford EX39 4HE	
DIMENSIONS: mm		CHK S.PARLOW 10JAN06	NAME SMB ELBOW PLUG CRIMP 50 OHM RG174A/U, 188A/U, 316/U, URM95, KX3B,KX22A	
TOLERANCES UNLESS OTHERWISE SPECIFIED:		APVD F.WHEELER-KING 10JAN06	PRODUCT SPEC	
0 PLC ± - 1 PLC ± - 2 PLC ± - 3 PLC ± - 4 PLC ± - ANGLES ± -		APPLICATION SPEC 411-3247	SIZE A3	CAGE CODE 00779
MATERIAL SEE TABLE		FINISH -	DRAWING NO C-1337478	RESTRICTED TO -
CUSTOMER DRAWING			SCALE NTS	SHEET 1 OF 1
			REV D	

单击下面可查看定价，库存，交付和生命周期等信息

[>>TE Connectivity\(泰科\)](#)