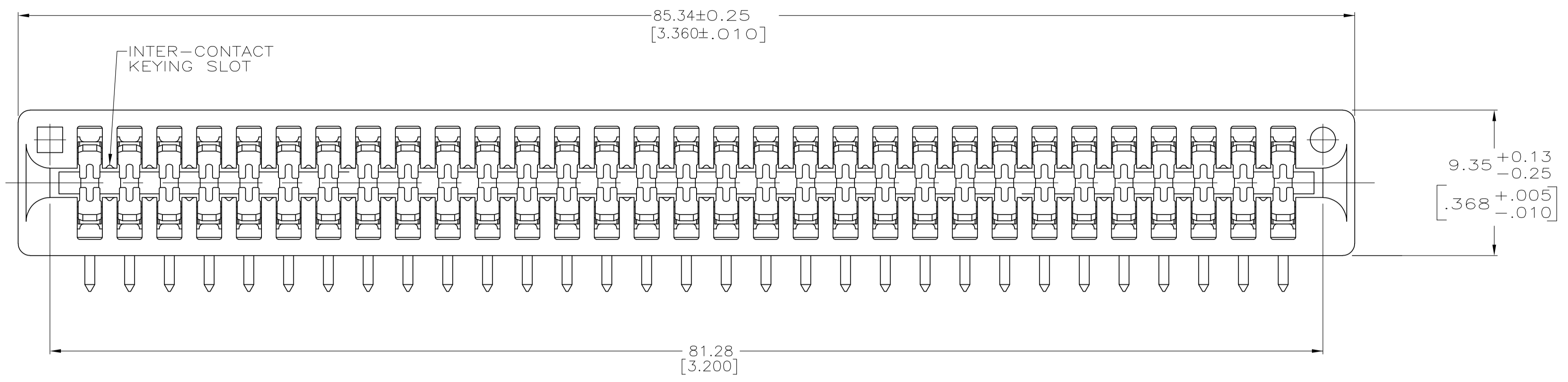
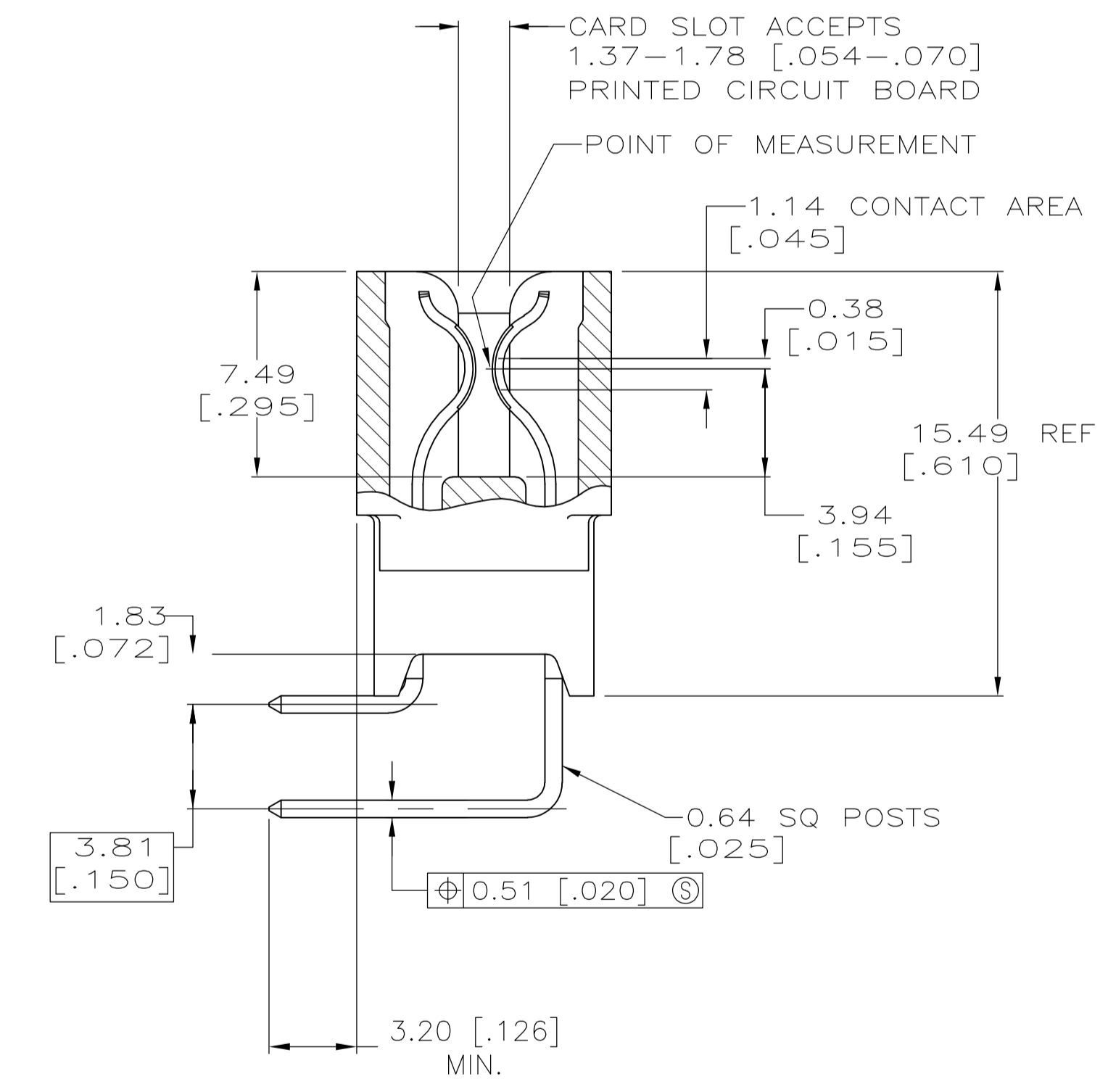
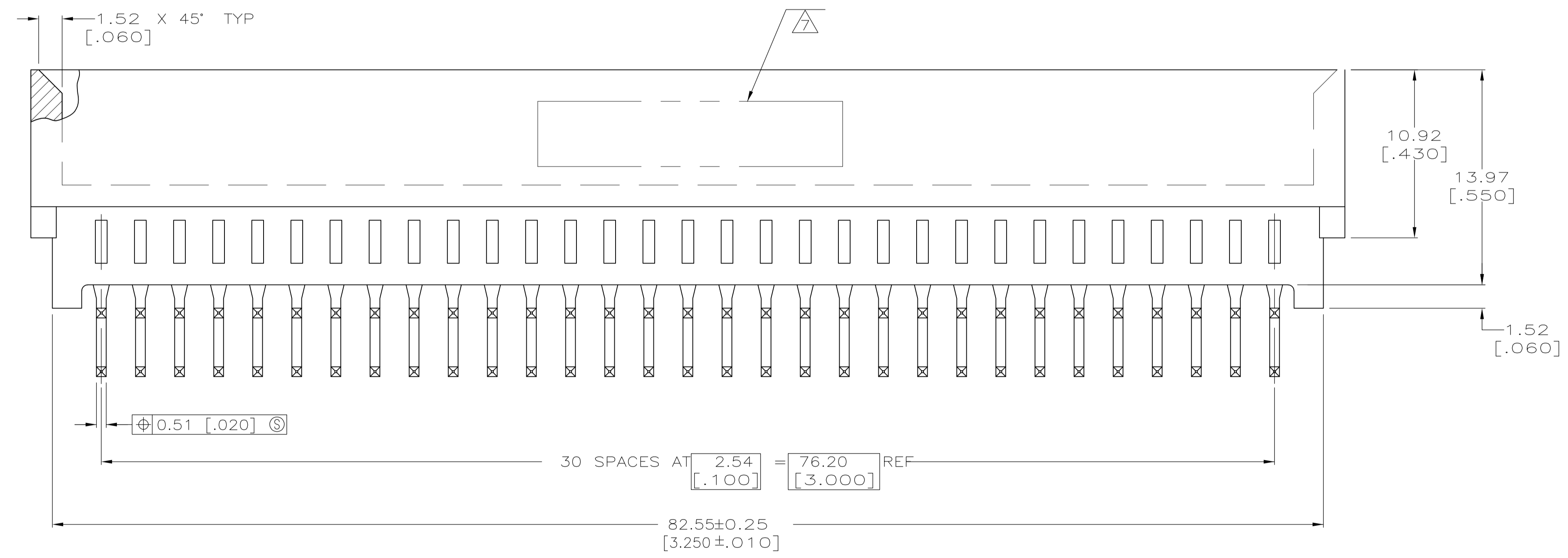


LOC		DIST		REVISIONS			
P	LTR	DESCRIPTION	DATE	DMN	APVD		
A		RELEASED PER ECO-10-005234	12MAR2010	RG	EH		

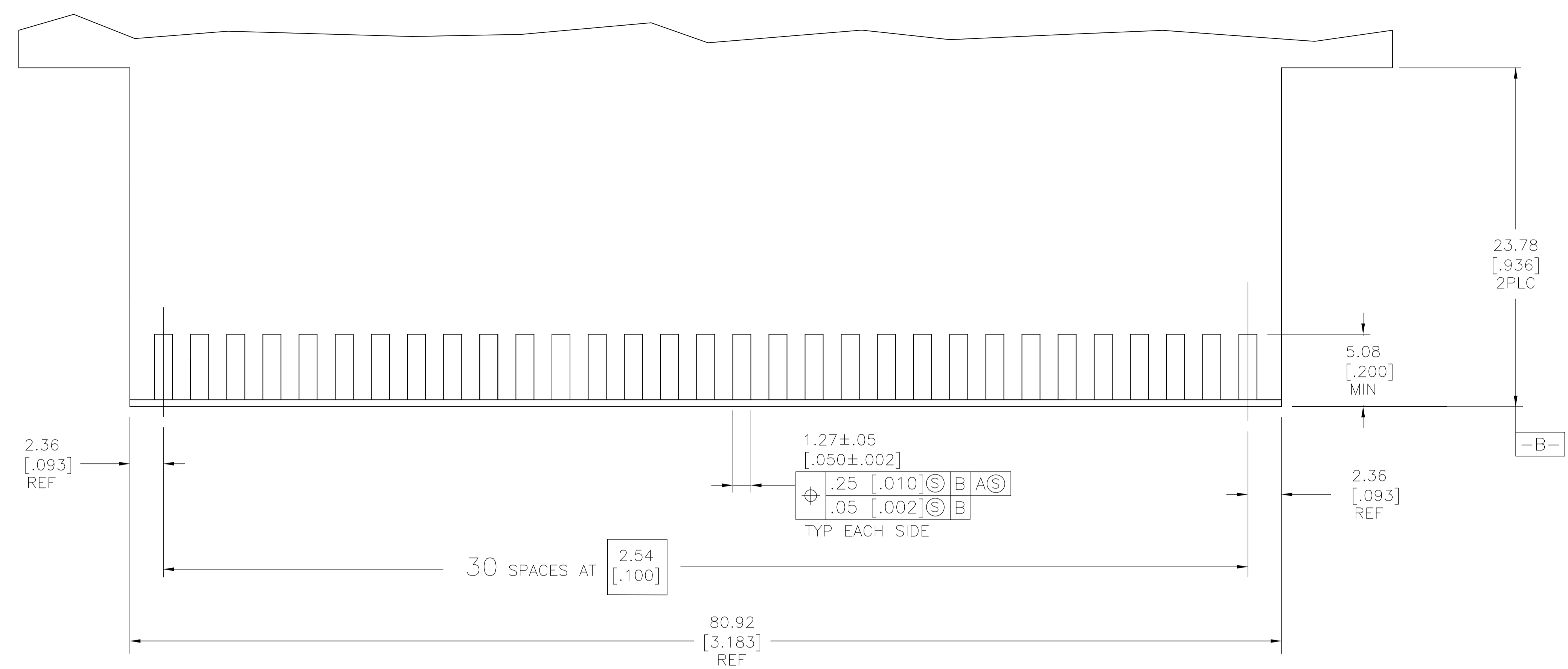


- ① HOUSING: GLASS FILLED POLYESTER; COLOR: BLACK.
- ② CONTACT: PHOSPHOR BRONZE.
- ③ NICKEL UNDERPLATE: 0.00127 [.000050] MIN - ALL OVER.
- ④ MATTE TIN PLATE: 0.00254 [.000100] MIN - SOLDER POSTS.
- ⑤ GOLD PLATE: 0.00038 [.000015] MIN - CONTACT AREA.
- ⑥ NICKEL PLATE PER MIL-G-45204.
GOLD PLATE PER QQ-N-290.
- ⑦ AMP PART NUMBER AND DATE CODE ARE MARKED IN APPROXIMATE AREA SHOWN, EITHER SIDE.
- ⑧ DATUMS AND BASIC DIMENSIONS ESTABLISHED BY CUSTOMER.
PIN 1 LOCATION AND DESIGNATION ESTABLISHED BY CUSTOMER.

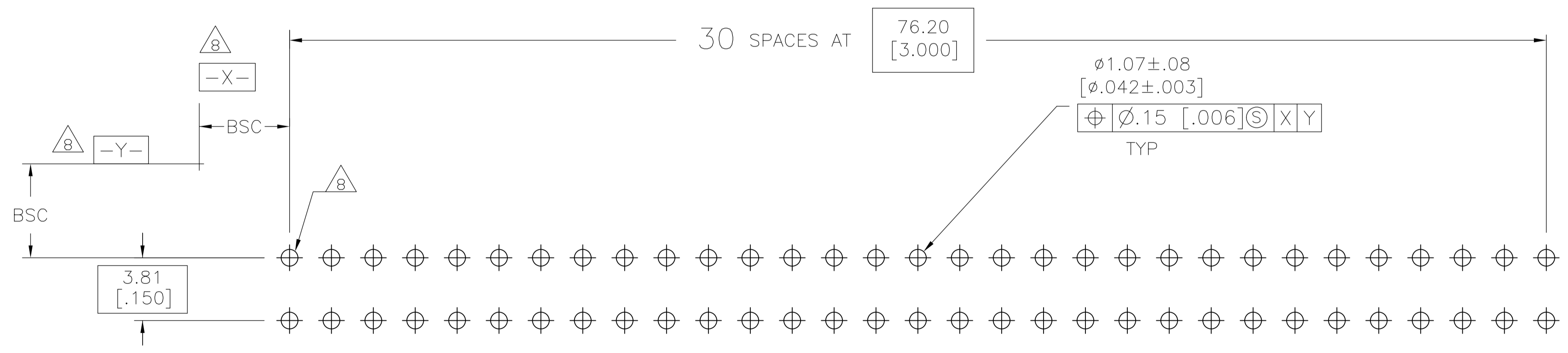
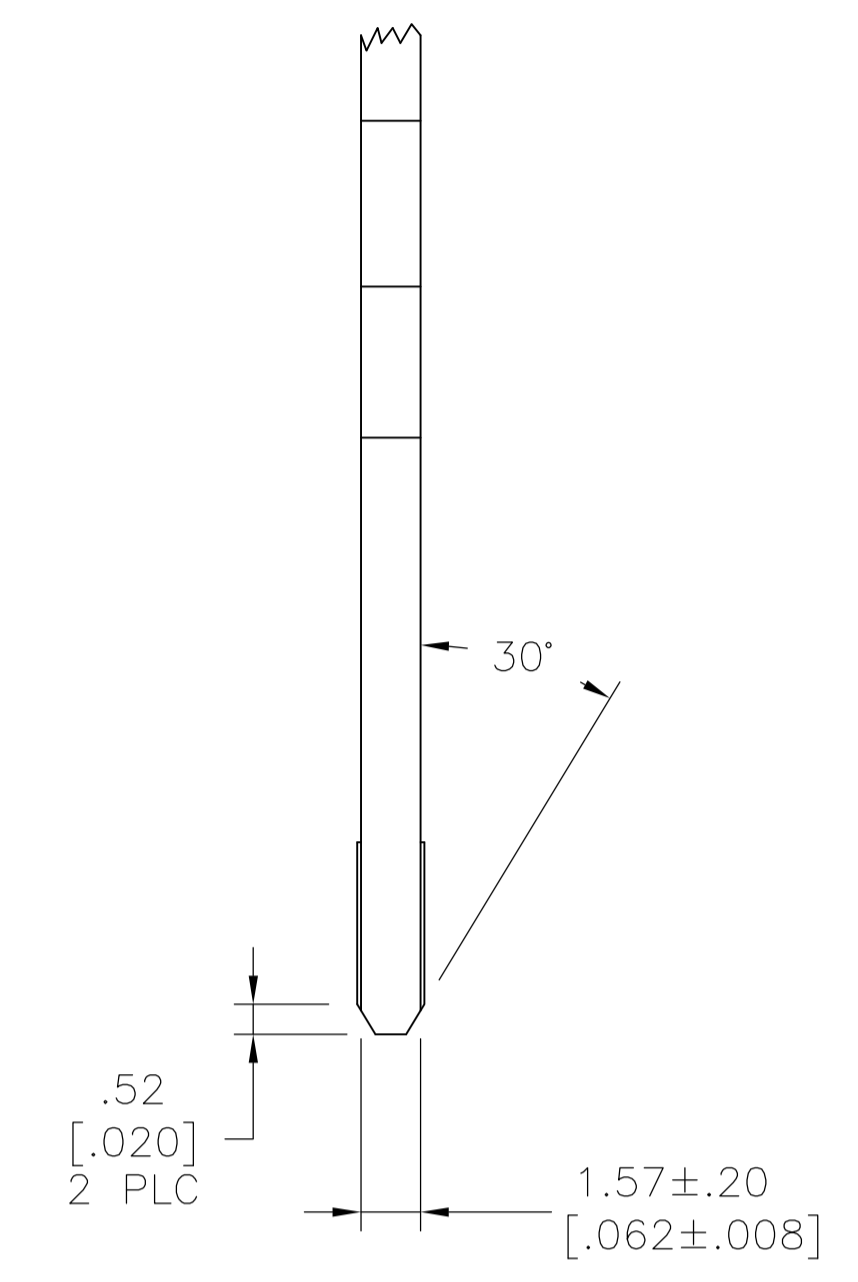


31	2110493-1
NO OF POSN	PART NUMBER

THIS DRAWING IS A CONTROLLED DOCUMENT.		DIN R GRZYBOWSKI 23MAR2009		Tyco Electronics Corporation	
DIMENSIONS: mm		CHK F HOWARD 23MAR2009		Harrisburg, Pa 17105-3608	
TOLERANCES UNLESS OTHERWISE SPECIFIED:		APVD M PERCHERKE 23MAR2009		NAME	
0 PLC ± -		PRODUCT SPEC		CONNECTOR ASSEMBLY, STD EDGE II,	
1 PLC ± -		APPLICATION SPEC		2.54 [.100] x 3.81 [.150],	
2 PLC ± 0.13[.005]		SIZE		RIGHT ANGLE	
3 PLC ± -		CAGE CODE		DRAWING NO	
4 PLC ± -		WEIGHT		RESTRICTED TO	
ANGLES ± °		A1 00779		C=2110493	
MATERIAL		CUSTOMER DRAWING		SCALE 5:1 SHEET 1 OF 2 REV A	



RECOMMENDED MATING BOARD EDGE CONFIGURATION



RECOMMENDED PC BOARD HOLE LAYOUT

THIS DRAWING IS A CONTROLLED DOCUMENT.		DIN R. GRZYBOWSKI 23MAR2009	Tyco Electronics Corporation Harrisburg, Pa 17105-3608	
DIMENSIONS: mm		CHK F. HOWARD 23MAR2009	NAME M. PERCHERKE 23MAR2009	
TOLERANCES UNLESS OTHERWISE SPECIFIED:		PRODUCT SPEC 108-9039		
0. PLC ± -		APPLICATION SPEC		
1. PLC ± -		SIZE A1		
2. PLC ± 0.13[.005]		CAGE CODE 00779		
3. PLC ± -		DRAWING NO 2110493		
4. PLC ± -		RESTRICTED TO		
ANGLES ± °		WEIGHT		
MATERIAL SEE SHEET 1		FINISH SEE SHEET 1		SCALE 5:1
CUSTOMER DRAWING		SHEET 2 OF 2		REV A

单击下面可查看定价，库存，交付和生命周期等信息

[>>TE Connectivity\(泰科\)](#)