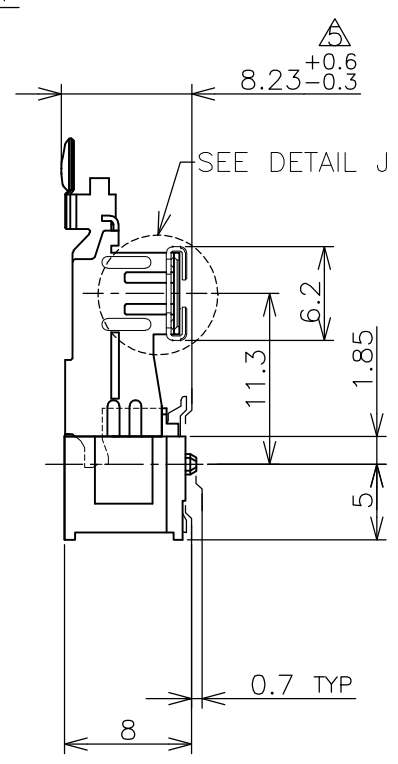
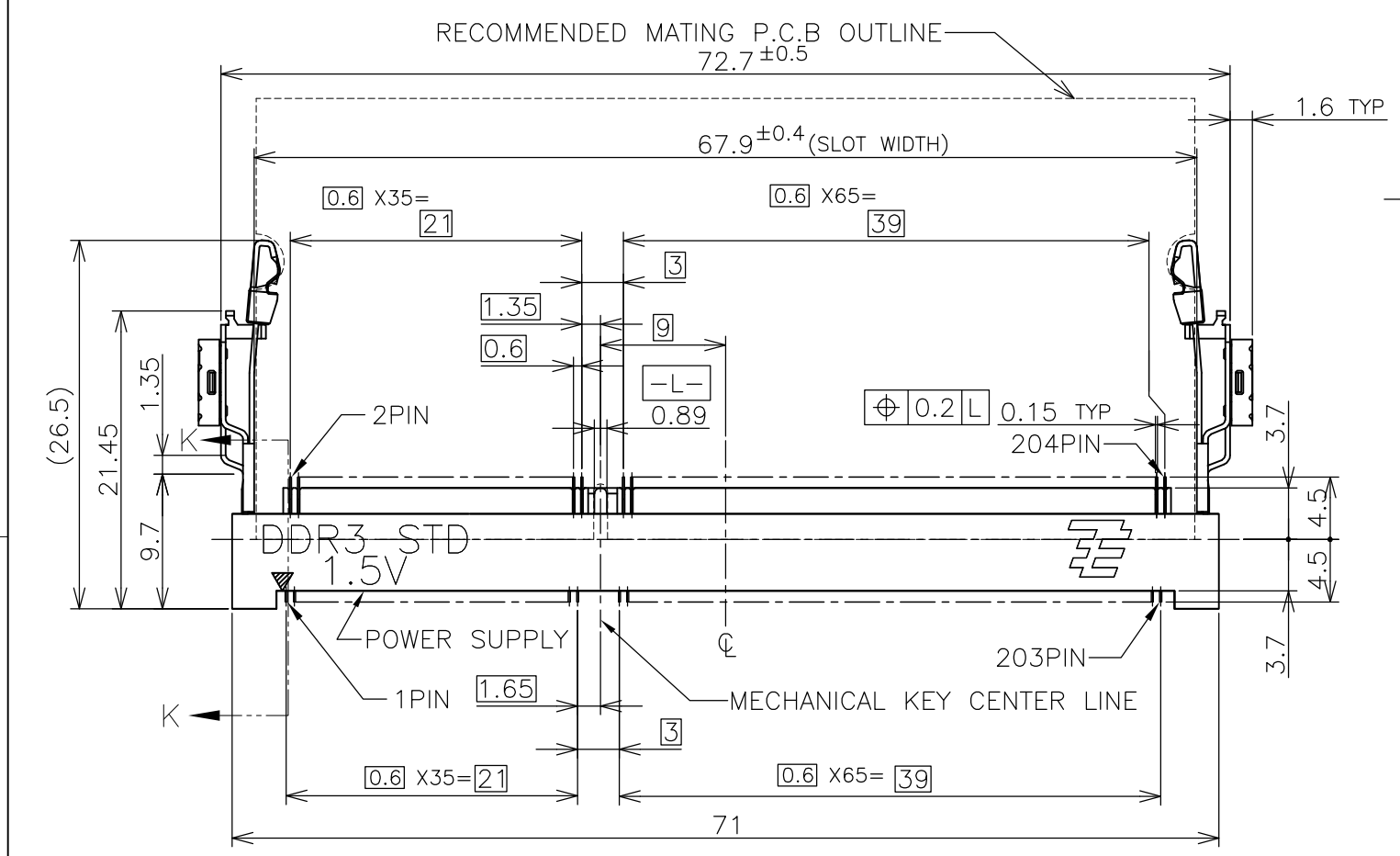
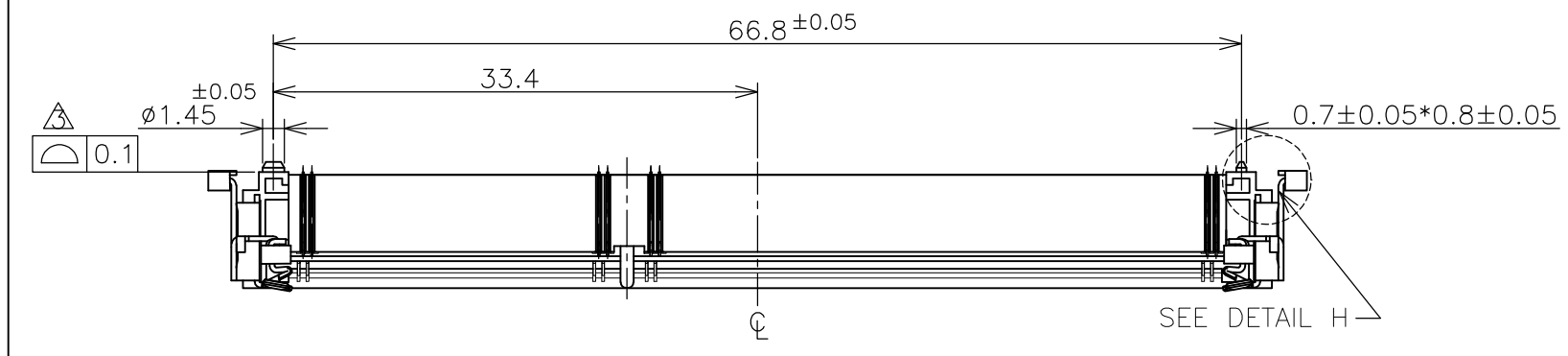
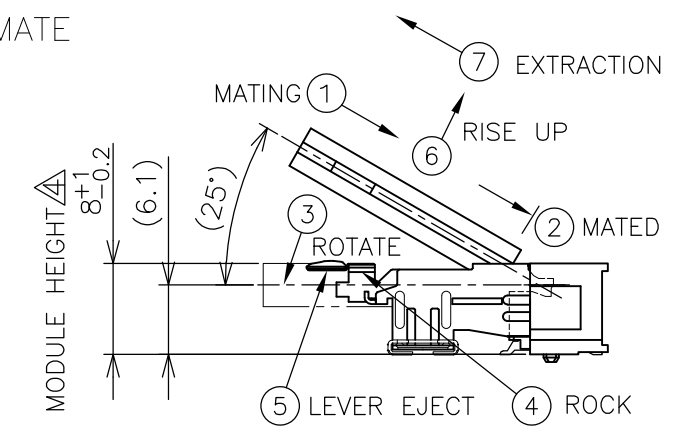
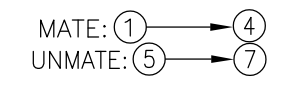


THIS DRAWING IS UNPUBLISHED. RELEASED FOR PUBLICATION SEP, 2007.
 © COPYRIGHT 2007 By - ALL RIGHTS RESERVED.

LOC	DIST	REVISIONS			
P	LTR	DESCRIPTION	DATE	DWN	APVD
J	/				
	D	REVISED PER ECR-12-004002	01MAR2012	W.W	C.W

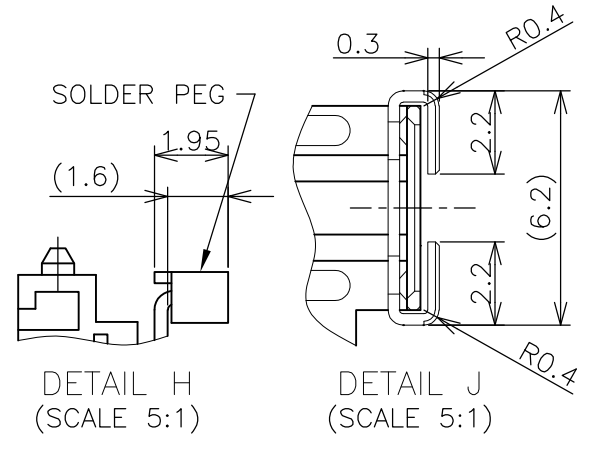
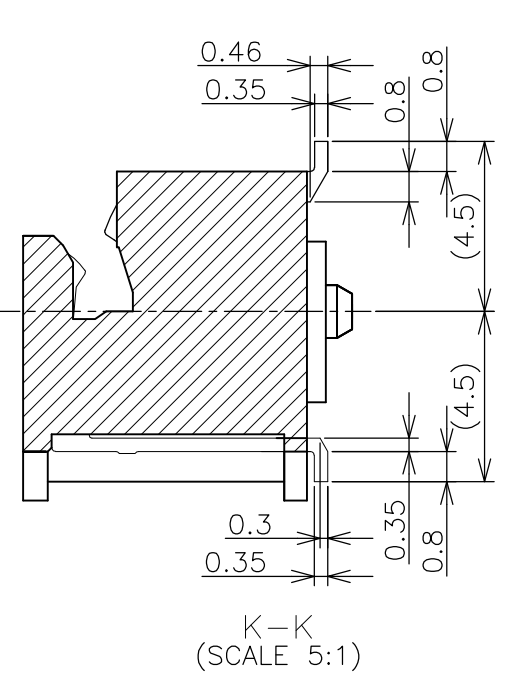


HOW TO MATE AND UNMATE



(APPLIED TO SHEET 1-3)

- MATERIAL ; HOUSING: HIGH TEMPERATURE THERMO PLASTIC UL94V-0
 COLOR: SEE TABLE
 CONTACT: COPPER ARROY
 LOCK LEVER: STAINLESS STEEL
 PEG: COPPER ARROY
 - 2-1. FINISH ; CONTACT AREA: GOLD FLASH
 ALL OVER NICKEL.
 SOLDERING AREA: GOLD FLASH PLATING
 PEG: TIN PLATING
 - 2-2. FINISH ; CONTACT AREA: 0.000254MIN GOLD
 ALL OVER NICKEL.
 SOLDERING AREA: GOLD FLASH PLATING
 PEG: TIN PLATING
 - 2-3. FINISH ; CONTACT AREA: 0.00076MIN GOLD
 ALL OVER NICKEL.
 SOLDERING AREA: GOLD FLASH PLATING
 PEG: TIN PLATING
- ▲ COPLANARITY: 0.1 MAX. (BEFORE SOLDERING)
 ▲ THE FLOATING VALUE BY SOLDERING IS NOT INCLUDED.
 ▲ NOT MATING CONDITION.
6. IF THE MODULE DOESN'T INSERT AND LOCK IN THE LATCH SMOOTHLY, OPEN WIDE BOTH LATCHES BY MANUAL. AND THE MODULE MUST BE INSERTED AND LOCKED IN THE LATCH.



GENERAL TOLERANCE
 10 ≥ ±0.2
 30 ≥ >10: ±0.25
 100 ≥ >30: ±0.3
 ANGLES: ±3°

THIS DRAWING IS A CONTROLLED DOCUMENT.		DWN T.FUMIKURA 18SEP2007	TE Connectivity		
DIMENSIONS: MM		CHK K.IKEGAMI 18SEP2007			
TOLERANCES UNLESS OTHERWISE SPECIFIED:		APVD K.IKEGAMI 18SEP2007	NAME		
0 PLC ±		108-78493			
1 PLC ±		APPLICATION SPEC			
2 PLC ±		SIZE CAGE CODE DRAWING NO RESTRICTED TO			
3 PLC ±		A300779 C-2013297			
4 PLC ±		WEIGHT 5.8g			
ANGLES ±		SCALE 2:1 SHEET 1 OF 6 REV D			
FINISH		CUSTOMER DRAWING			

4

3

2

1

THIS DRAWING IS UNPUBLISHED.

RELEASED FOR PUBLICATION SEP , 2007.

© COPYRIGHT 2007 By -

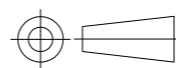
ALL RIGHTS RESERVED.

LOC	DIST	REVISIONS					
J	/	P	LTR	DESCRIPTION	DATE	DWN	APVD
		-		SEE SHEET 1	-	-	-

AVAILABLE	ENBOSS (SEE SHEET 6)	WITH BOSS	BLACK	NOTE 2-3	1.5V	204	2-2013297-3
AVAILABLE	ENBOSS (SEE SHEET 6)	WITH BOSS	BLACK	NOTE 2-2	1.5V	204	2-2013297-2
AVAILABLE	ENBOSS (SEE SHEET 6)	WITH BOSS	BLACK	NOTE 2-1	1.5V	204	2-2013297-1
AVAILABLE	SEMI-HARD TRAY (SEE SHEET 5)	WITH BOSS	BLACK	NOTE 2-3	1.5V	204	2013297-3
AVAILABLE	SEMI-HARD TRAY (SEE SHEET 5)	WITH BOSS	BLACK	NOTE 2-2	1.5V	204	2013297-2
AVAILABLE	SEMI-HARD TRAY (SEE SHEET 5)	WITH BOSS	BLACK	NOTE 2-1	1.5V	204	2013297-1
TOOLING STATUS	PACAGKING TYPE	BOSS TYPE	HOUSING COLOR	FINISH	POWER SUPPLY	POS	PART NO.

THIS DRAWING IS A CONTROLLED DOCUMENT.


DIMENSIONS:
MM



TOLERANCES UNLESS OTHERWISE SPECIFIED:

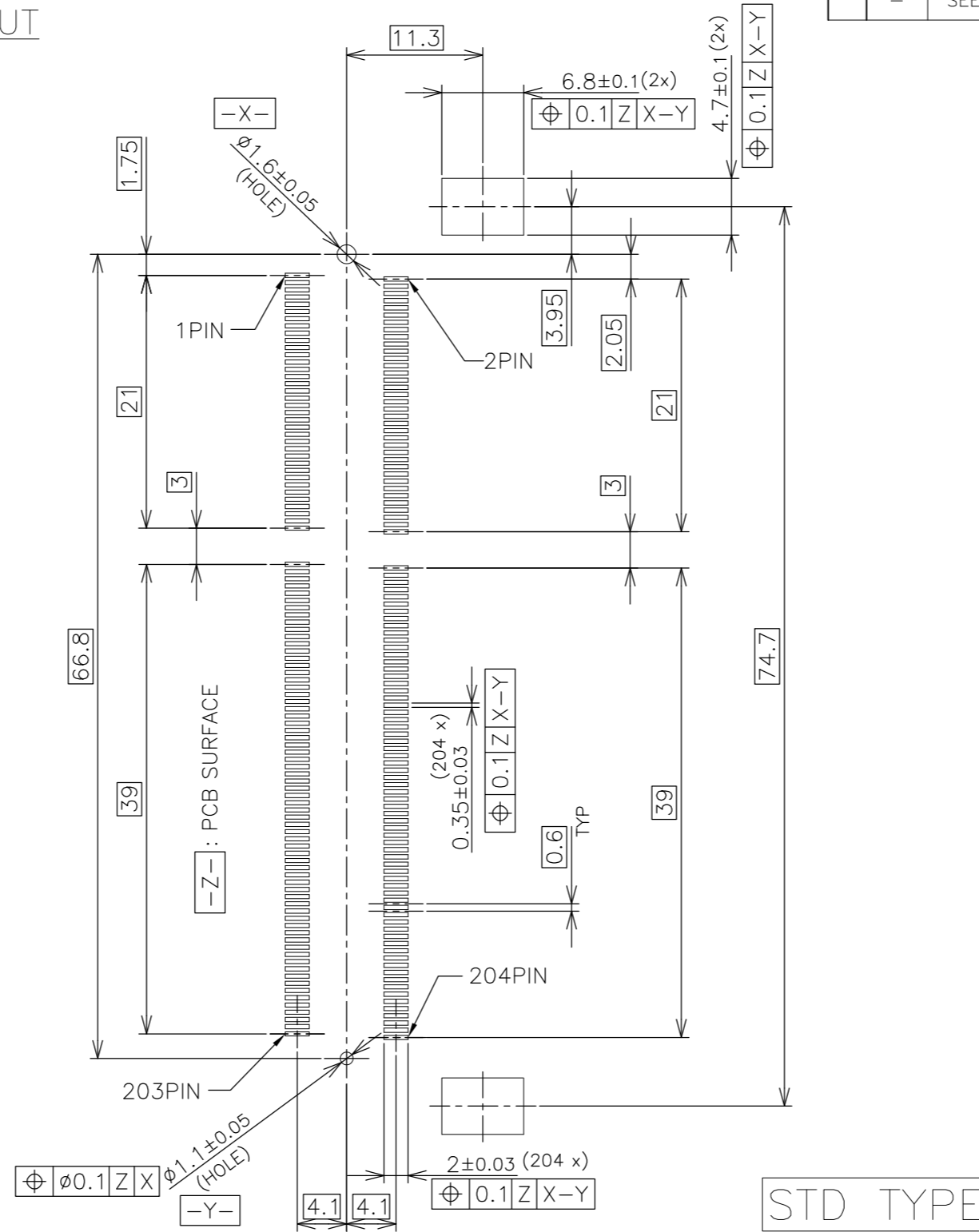
- 0 PLC ±
- 1 PLC ±
- 2 PLC ±
- 3 PLC ±
- 4 PLC ±
- ANGLES ±
- FINISH

MATERIAL

DWN	 TE Connectivity			NAME		RESTRICTED TO
CHK				DDR3 SODIMM SOCKET		
APVD				0.6mm PITCH 204POS		
PRODUCT SPEC				8.0mm HEIGHT STANDARD TYPE		
APPLICATION SPEC	SIZE	CAGE CODE	DRAWING NO	RESTRICTED TO		
WEIGHT	A3	00779	C-2013297	-		
CUSTOMER DRAWING			SCALE	SHEET	REV	
			2:1	2 of 6	D	

P	LTR	DESCRIPTION	DATE	DWN	APVD
-	-	SEE SHEET 1	-	-	-

REFERENCE P.C.BOARD PATTERN LAYOUT
(CONNECTOR MOUNTING SIDE)



THIS DRAWING IS A CONTROLLED DOCUMENT.

DIMENSIONS:	TOLERANCES UNLESS OTHERWISE SPECIFIED:
MM	
0 PLC	±
1 PLC	±
2 PLC	±
3 PLC	±
4 PLC	±
ANGLES	±

MATERIAL FINISH

DWN
CHK
APVD
PRODUCT SPEC
APPLICATION SPEC
WEIGHT
CUSTOMER DRAWING

STE TE Connectivity

NAME: DDR3 SODIMM SOCKET
0.6mm PITCH 204POS
8.0mm HEIGHT STANDARD TYPE

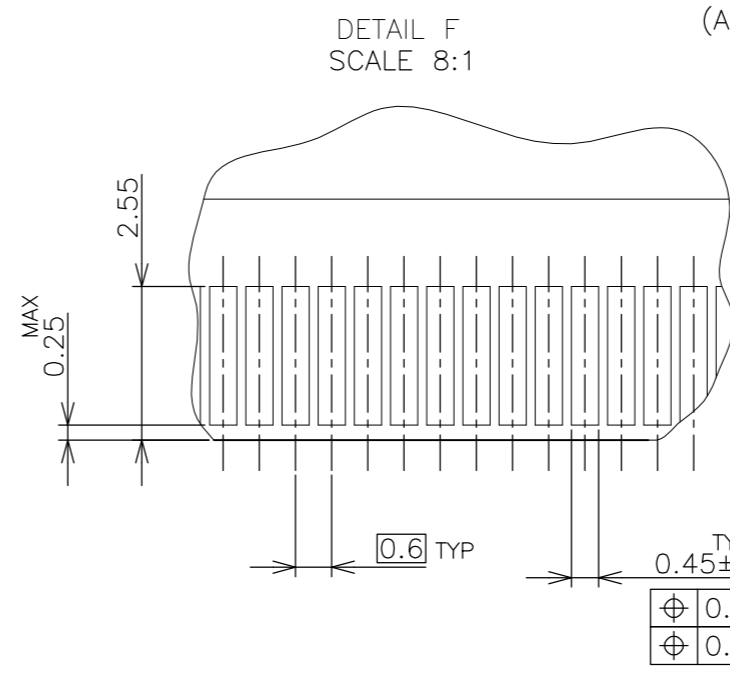
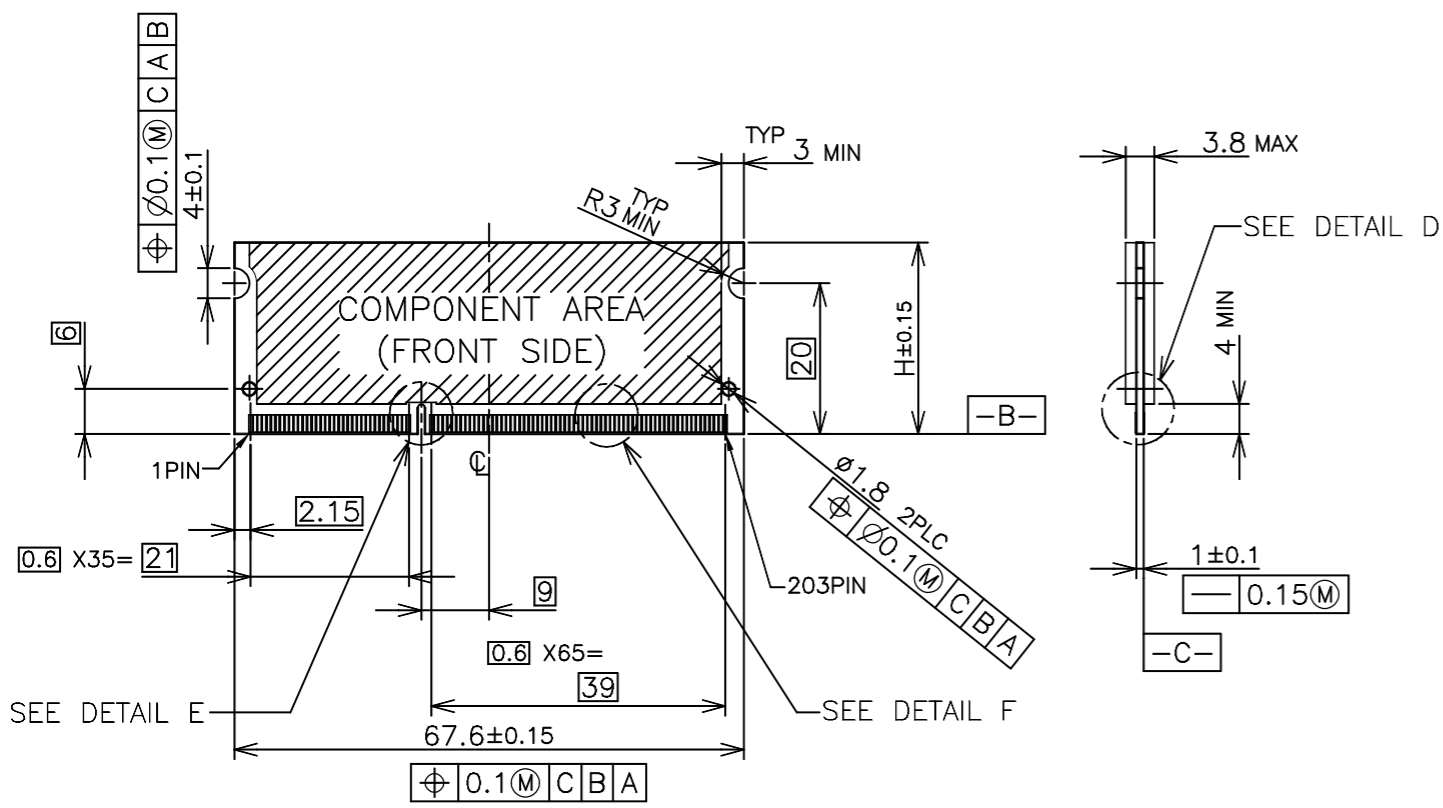
SIZE	CAGE CODE	DRAWING NO	RESTRICTED TO
A3	00779	C-2013297	-

SCALE: 2:1 SHEET: 3 OF 6 REV: D

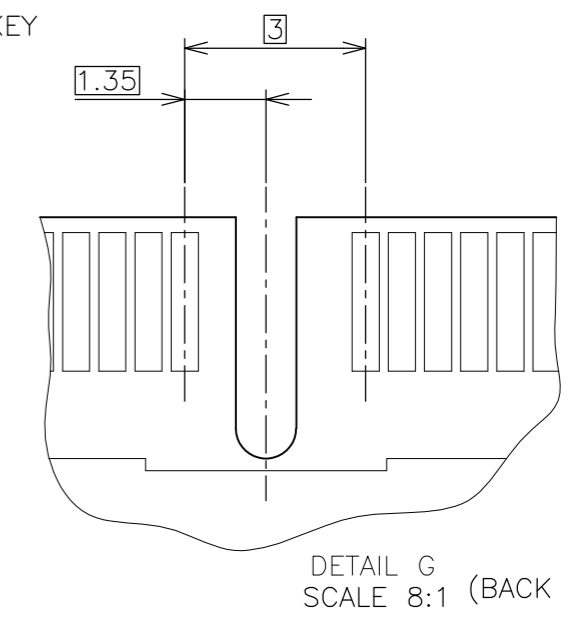
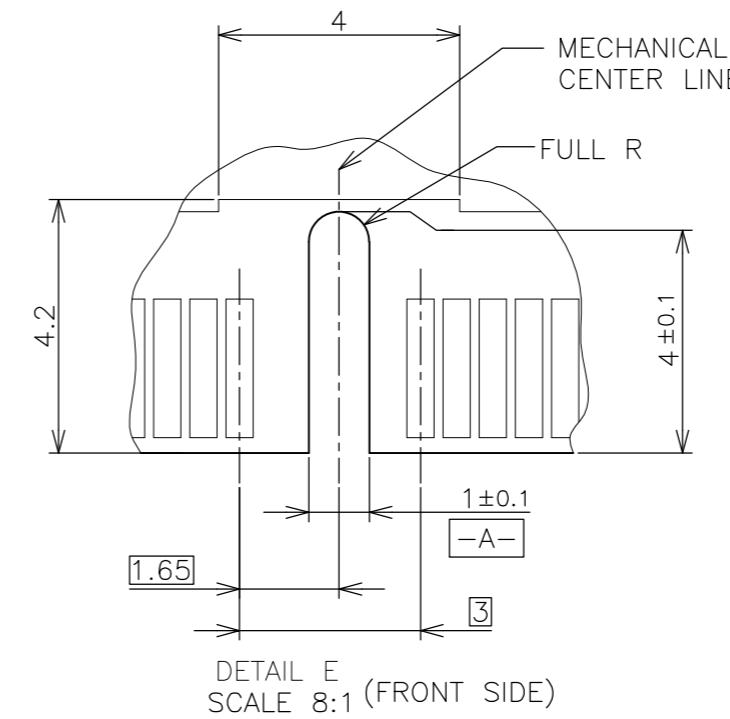
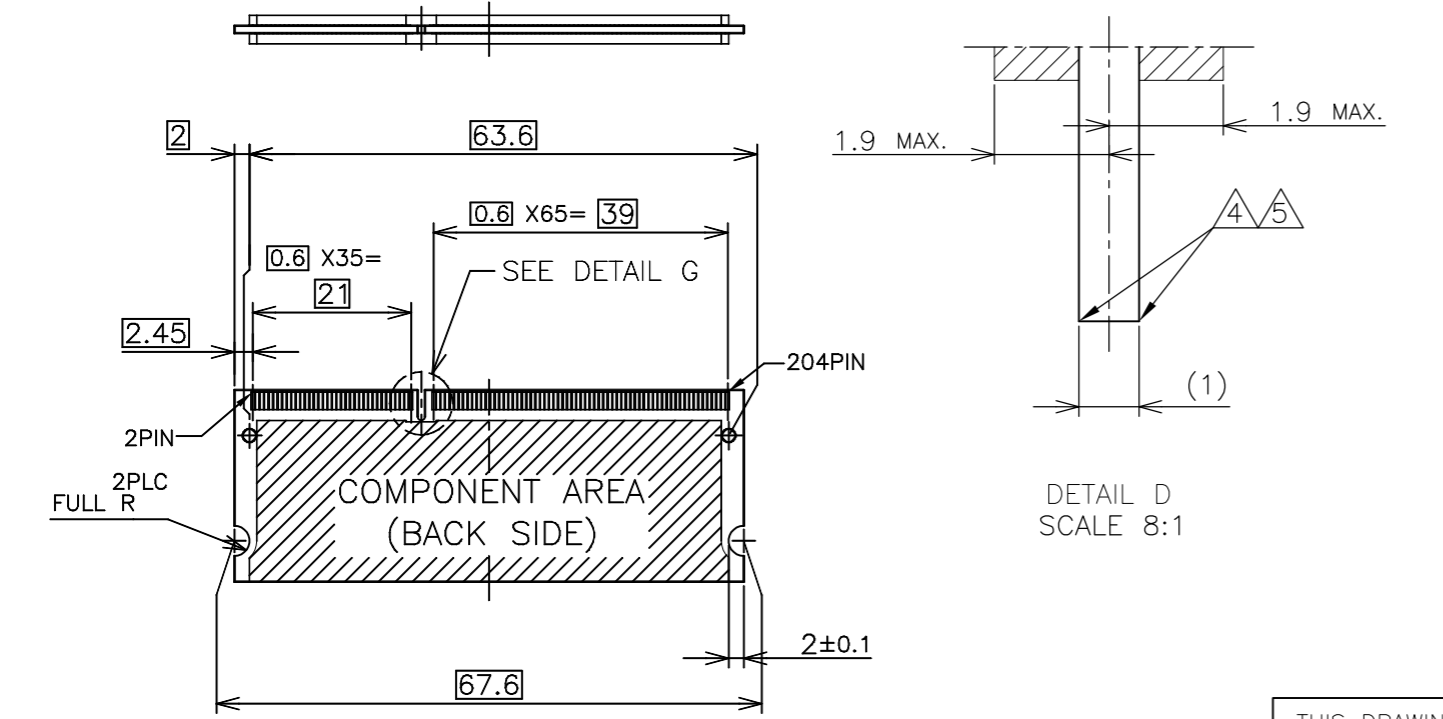
LOC	DIST
J	/

REVISIONS		DESCRIPTION	DATE	DWN	APVD
P	LTR	SEE SHEET 1	-	-	-

REFERENCE MATING P.C.B CONFIGURATION



- (APPLIED TO SHEET 4)
1. TOLERANCES ON ALL DIMENSIONS ±0.15 UNLESS OTHERWISE SPECIFIED.
 2. P.C. BOARD THICKNESS APPLIES ACROSS TABS AND INCLUDES PLATING AND/OR METALIZATION.
 3. FINISH OF PAD : GOLD PLATING 0.00076 MIN. OVER Ni PLATING 0.002MIN.
- ⚠ NO BURR
 - ⚠ CHAMFER 0.25 MAX x 45° IF EXIST.



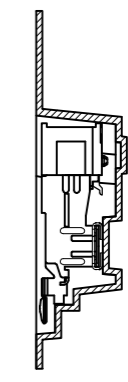
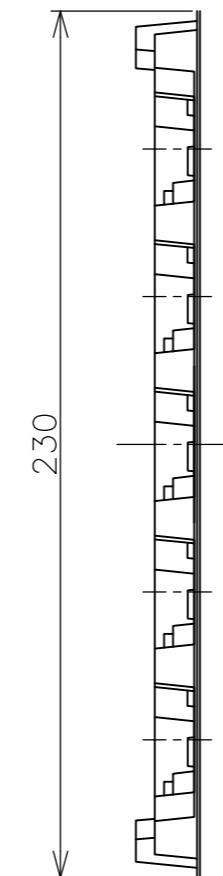
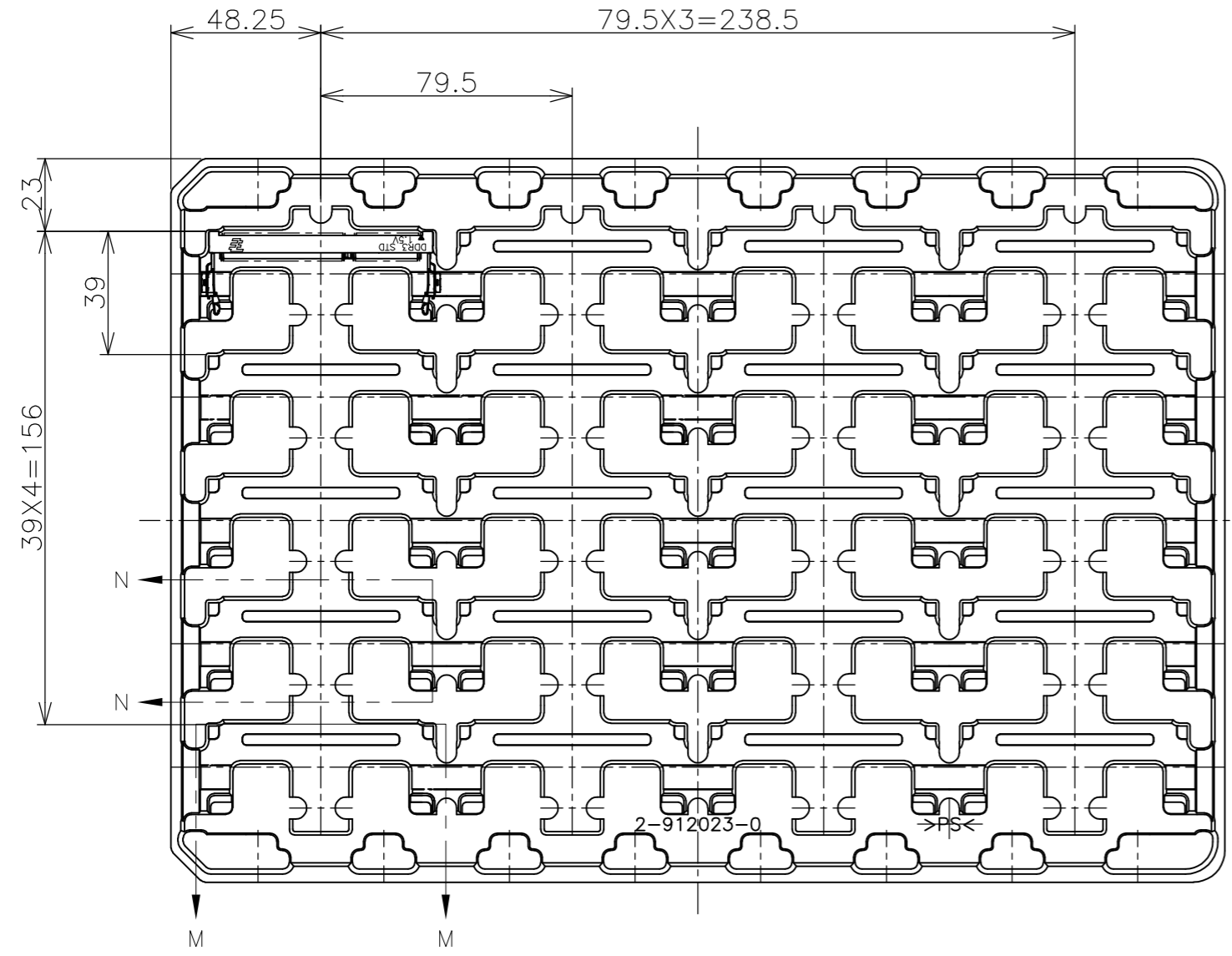
30	CA
31.75	BA
25.4	AA
H	SDRAM VARIATIONS

THIS DRAWING IS A CONTROLLED DOCUMENT.		DWN		TE Connectivity NAME DDR3 SODIMM SOCKET 0.6mm PITCH 204POS 8.0mm HEIGHT STANDARD TYPE	
DIMENSIONS: MM		CHK			
TOLERANCES UNLESS OTHERWISE SPECIFIED:		APVD			
0 PLC ± 1 PLC ± 2 PLC ± 3 PLC ± 4 PLC ± ANGLES ± MATERIAL FINISH ±		PRODUCT SPEC			
MATERIAL		APVD		APPLICATION SPEC	
WEIGHT		APVD		SIZE	
CUSTOMER DRAWING		APVD		CAGE CODE	
SCALE 2:1		APVD		DRAWING NO	
SHEET 4 OF 6		APVD		RESTRICTED TO	
REV D		APVD		A300779 C-2013297	

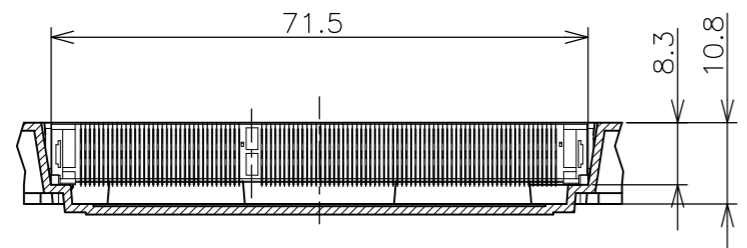
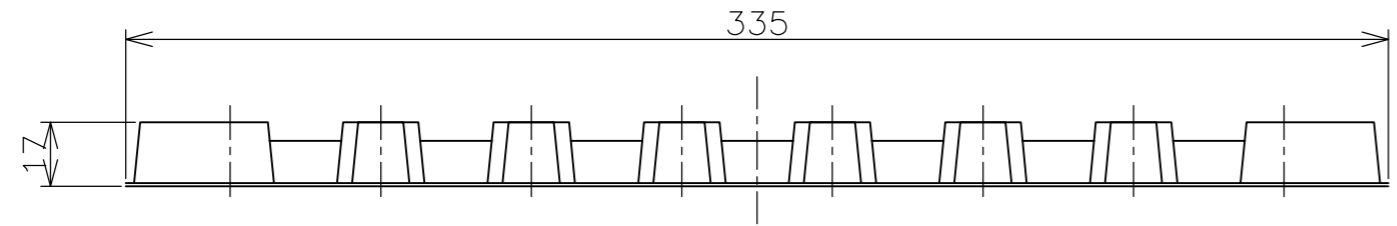
THIS DRAWING IS UNPUBLISHED. RELEASED FOR PUBLICATION SEP , 2007.
 © COPYRIGHT 2007 By - ALL RIGHTS RESERVED.

LOC	DIST	REVISIONS			
P	LTR	DESCRIPTION	DATE	DWN	APVD
J	/	SEE SHEET 1	-	-	-

- (APPLIED TO SHEET 5)
1. THE DIRECTION OF EACH CONNECTOR ON A TRAY IS REFERRED TO THIS DRAWING.
 2. GENERAL TOLERANCE: ± 0.5 , $\pm 3'$



N-N
SCALE 1:1



M-M
SCALE 1:1
(180DEG. ROTATE)

THIS DRAWING IS A CONTROLLED DOCUMENT.	
DIMENSIONS: MM	TOLERANCES UNLESS OTHERWISE SPECIFIED:
	0 PLC ± 0.5
	1 PLC ± 0.5
	2 PLC ± 0.5
	3 PLC ± 0.5
	4 PLC ± 0.5
	ANGLES $\pm 3'$
MATERIAL	FINISH

200EA QTY/BOX	20EA QTY/TRAY	*-2013297-*
DWN		TE Connectivity NAME DDR3 SODIMM SOCKET 0.6mm PITCH 204POS 8.0mm HEIGHT STANDARD TYPE
CHK		
APVD		
PRODUCT SPEC		
APPLICATION SPEC		RESTRICTED TO
SIZE	CAGE CODE	DRAWING NO
A3	00779	C-2013297
CUSTOMER DRAWING		SCALE 1:2
		SHEET 5 of 6
		REV D

4

3

2

1

THIS DRAWING IS UNPUBLISHED.

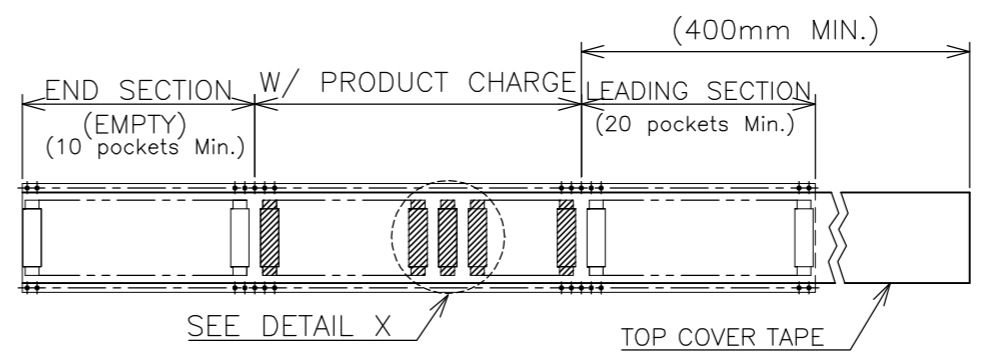
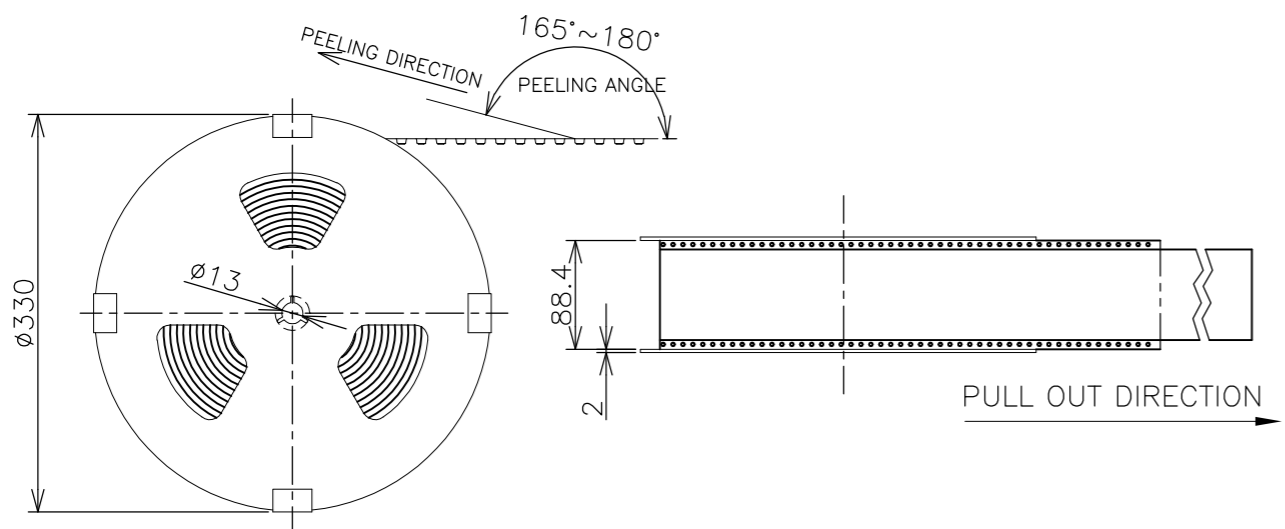
RELEASED FOR PUBLICATION

SEP , 2007.

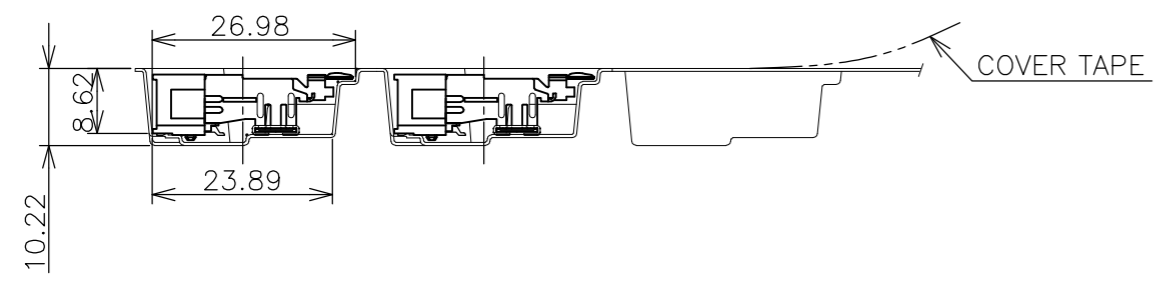
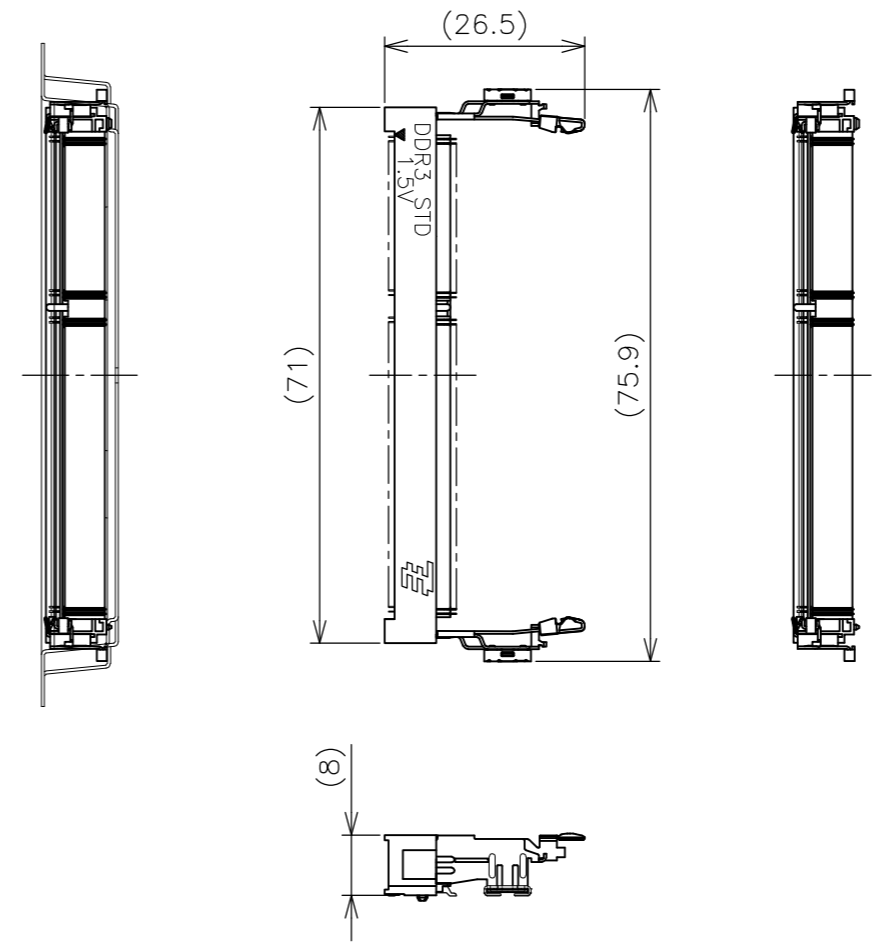
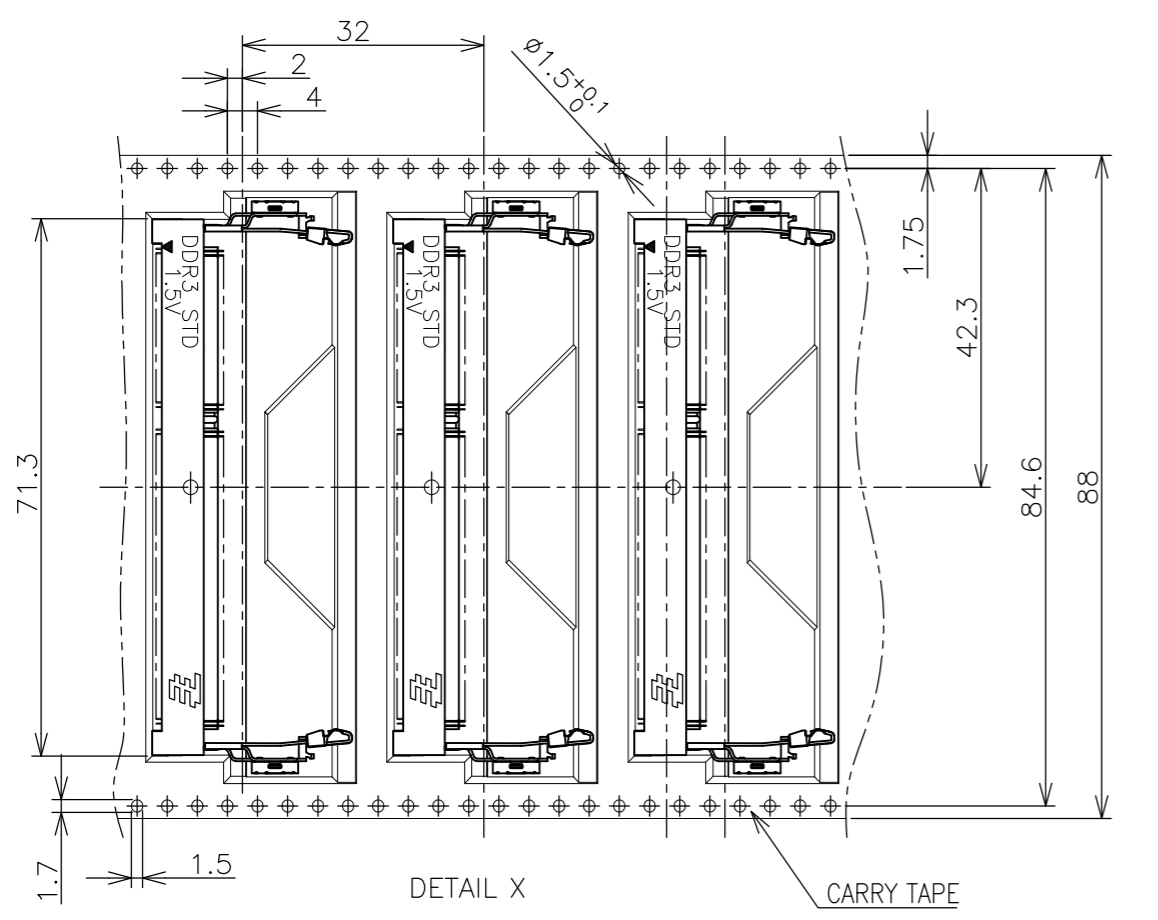
© COPYRIGHT 2007 By -

ALL RIGHTS RESERVED.

LOC	DIST	REVISIONS			
P	LTR	DESCRIPTION	DATE	DWN	APVD
J	/	-	SEE SHEET 1	-	-



- (APPLIED TO SHEET 6)
1. THE DIRECTION OF EACH CONNECTOR ON A EMBOSS IS REFERRED TO THIS DRAWING.
 2. GENERAL TOLERANCE: ± 0.5 , $\pm 3'$



150EA	*-2013297-*
QTY/REEL	PART NO.

THIS DRAWING IS A CONTROLLED DOCUMENT.		DWN	TE Connectivity			
DIMENSIONS: MM		CHK				
TOLERANCES UNLESS OTHERWISE SPECIFIED:		APVD				
0 PLC ± 0.5 1 PLC ± 0.5 2 PLC ± 0.5 3 PLC ± 0.5 4 PLC ± 0.5 ANGLES ± 3'		NAME				
MATERIAL		PRODUCT SPEC	DDR3 SODIMM SOCKET			
		APPLICATION SPEC	0.6mm PITCH 204POS			
		WEIGHT	8.0mm HEIGHT STANDARD TYPE			
		CUSTOMER DRAWING	SIZE	CAGE CODE	DRAWING NO	RESTRICTED TO
			A3	00779	C-2013297	-
			SCALE	SHEET	REV	
			1:1	6 OF 6	D	

单击下面可查看定价，库存，交付和生命周期等信息

[>>TE Connectivity\(泰科\)](#)