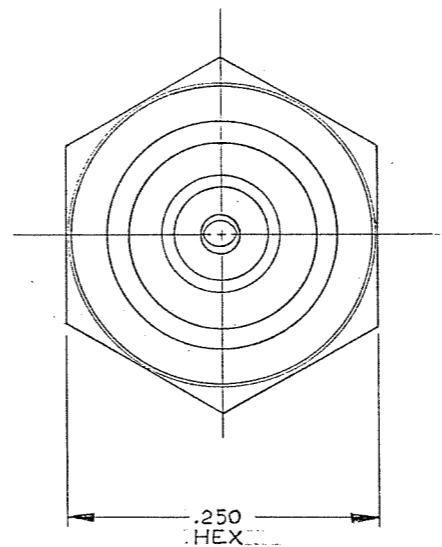
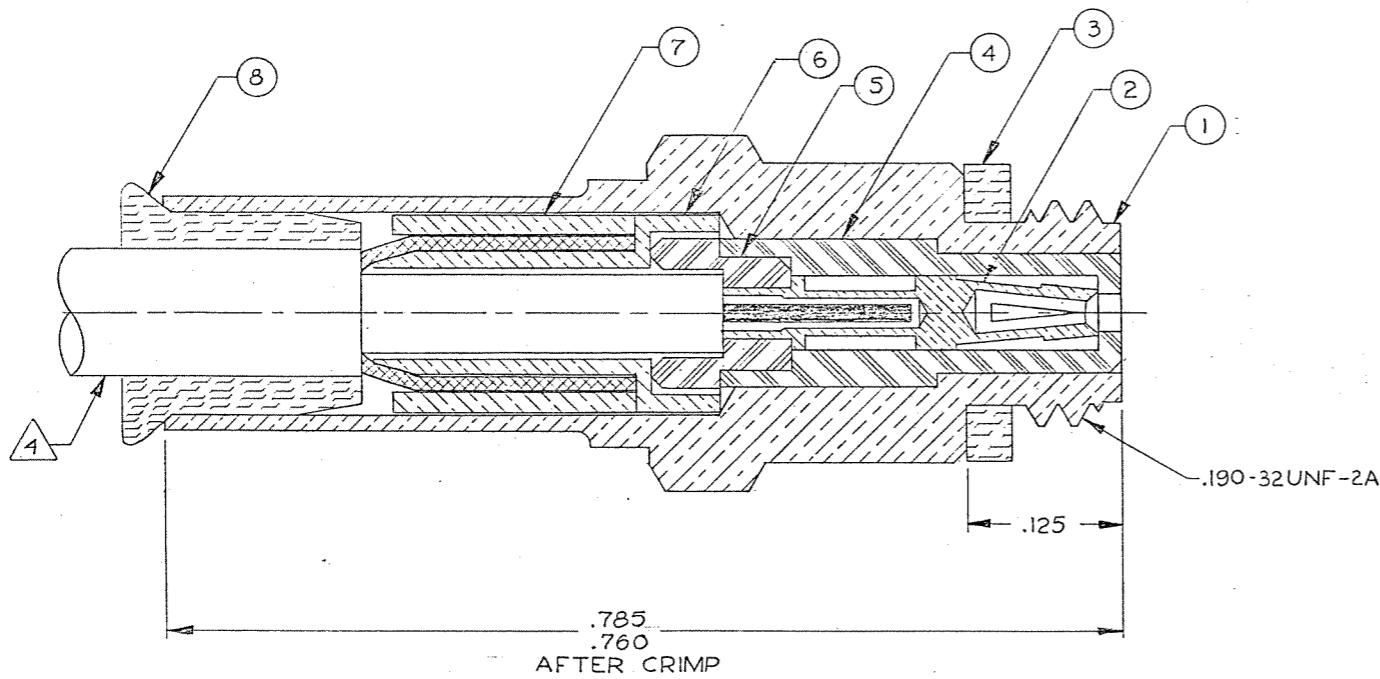


| REVISIONS |     |       |  |         |           |
|-----------|-----|-------|--|---------|-----------|
| ZONE      | LTR | ECN   | DESCRIPTION  | DATE    | APPROVED  |
|           | E   | 25090 | REV. & REDRAWN. ORIGINAL RELEASE<br>2-17-64 BY B.T. & JCS. <i>ck</i> | 7/24/80 | <i>hs</i> |
|           | F   | 38857 | UPDATE REV. LETTER   | 4/20/99 | <i>hs</i> |



Tyco Dwg 3-1532005-4  
Micro P/N 131-0136-0001

NOTES: UNLESS OTHERWISE SPECIFIED

- THIS CONNECTOR MATES WITH ALL 50 OHM GOLDEN CRIMP, CRIMP SILVER, AND S-50 PLUGS AS LISTED IN MALCO CATALOG.
- SEE RF-ASMB-8 FOR ASSEMBLY INSTRUCTIONS. SPECIAL TOOLS REQUIRED:  
CONTACT CRIMP: 010-0134-0000 AND LOCATOR 001-0104-0000 ALTERNATE TOOL 010-0065-0000.  
(NO LOCATOR REQUIRED)  
HOUSING CRIMP: 010-0082-0000
- ALL METAL PARTS ARE GOLD PLATED PER MIL-G-45204, TYPE II, GRADE C, CLASS I.
- CABLE ACCEPTANCE DIMENSIONS: JACKET DIAMETER: .110 MAX.  
DIELECTRIC DIAMETER: .057-.070  
INNER CONDUCTOR DIAMETER: .009-.020

| FINISH | QTY REQD | CODE IDENT | PART OR IDENTIFYING NO. | DESCRIPTION         | MATERIAL                      | ITEM |
|--------|----------|------------|-------------------------|---------------------|-------------------------------|------|
|        | 1        |            | 003-0861-0001           | SEALING SLEEVE      | SILICONE RUBBER PER ZZ-R-765  | 8    |
|        | 1        |            | 003-0938-0002           | MIDDLE CRIMP SLEEVE | LEADED COPPER                 | 7    |
|        | 1        |            | 003-0939-0002           | INNER CRIMP SLEEVE  | BRASS PER QQ-B-626            | 6    |
|        | 1        |            | 003-0937-0001           | CABLE INSULATOR     | TEFLON PER L-P-403            | 5    |
|        | 1        |            | 003-0818-0001           | HOUSING INSULATOR   | TEFLON PER L-P-403            | 4    |
|        | 1        |            | 003-0268-0001           | GASKET              | SILICONE RUBBER PER ZZ-R-765  | 3    |
|        | 1        |            | 003-0819-0002           | SOCKET CONTACT      | BERYLLIUM COPPER PER QQ-C-530 | 2    |
|        | 1        |            | 003-0942-0002           | HOUSING JACK        | BRASS PER QQ-B-626            | 1    |

|   |         |  |  |  |  |
|---|---------|--|--|--|--|
| UNLESS OTHERWISE SPECIFIED DIMENSIONS ARE IN INCHES TOLERANCES ARE:<br>FRACTIONS DECIMALS ANGLES<br>± .XX ± .XXX ± .010 ± |         | CONTRACT NO.   |  | <b>MALCO</b><br>A MICRODOT COMPANY, INC.<br>306 PASADENA AVE., SO. PASADENA, CALIF. 91030  |  |
| MATERIAL<br>NOTED   |         | APPROVALS<br>DRAWN <i>C.B.</i> 3-21-80<br>CHECKED <i>EMH</i> 7-22-80<br>PR. ENG. <i>Agustin</i> 7-23-80<br>APPD. |  | JACK, GOLDEN CRIMP,<br>50 OHM<br>PROD. CODE 941<br>CODE CDM  |  |
| FINISH<br>NOTED   |         | SIZE <b>C</b> CODE IDENT NO. <b>98278</b> DRAWING NO. <b>131-0136-0001</b>                                       |  | These drawings and specifications are the property of Microdot Inc., are issued in strict confidence and shall not be divulged, be reproduced or copied, or used as the basis for the manufacture or sale of any article without written permission of Microdot Inc. |  |
| NEXT ASSY   | USED ON |  |  |  |  |

单击下面可查看定价，库存，交付和生命周期等信息

[>>TE Connectivity\(泰科\)](#)