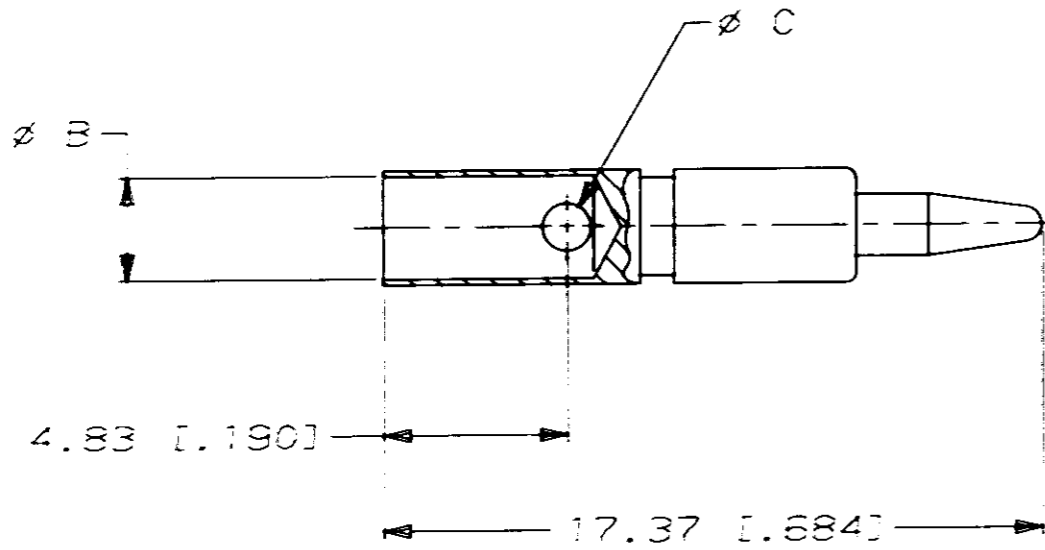


THIS DRAWING IS UNPUBLISHED. RELEASED FOR PUBLICATION, 19
 BY AMP INCORPORATED. ALL INTERNATIONAL RIGHTS RESERVED.

LOC	QTY	P	F	ZONE	LTR	DESCRIPTION	DATE	APPD
AJ	16							
		✓	✓		0	RELEASED PER 91-3357-018	4-19-91	MS
		✓	✓		A	ADD -4 PER 91-3357-001	8-15-91	MS
		✓	✓		B	ADD -6 PER 91-3317-011	12-18-91	MS

① BRASS PER QQ-B-626

② GOLD PL PER MIL-G-45204
 0.76µm MIN THK [0.000030]



0.64 [0.025]	1.02 [0.040]	414116-6
1.27 [0.050]	2.36 [0.093]	414116-4
1.27 [0.050]	2.74 [0.108]	414116-2
DIM C	DIM B	PART NUMBER

		PART NO	
DO NOT SCALE PRINT. UNLESS SPECIFIED DIMENSIONS IN INCHES: TOLERANCES ON: 2 PLD DEC ± 3 PLD DEC ± 0.13 [0.005] ANGLES ±	DR 3-21-91 M. SNEED	AMP AMP Incorporated Harrisburg, PA 17105-3608	
MATERIAL	CHK 4-19-91 R. HENRY	NAME	
NOTE 1	APPD 4-19-91 R. HENRY	CONTACT, MALE, SERIES N	
FINISH	APPD 4-19-91 M. SNEED	SIZE	CAGE CODE
NOTE 2	PRODUCT SPEC	B	00779
	APPLICATION SPEC	DRAWING NO	414116
	WEIGHT	SCALE	SHEET
		5:1	1 OF 1

单击下面可查看定价，库存，交付和生命周期等信息

[>>TE Connectivity\(泰科\)](#)