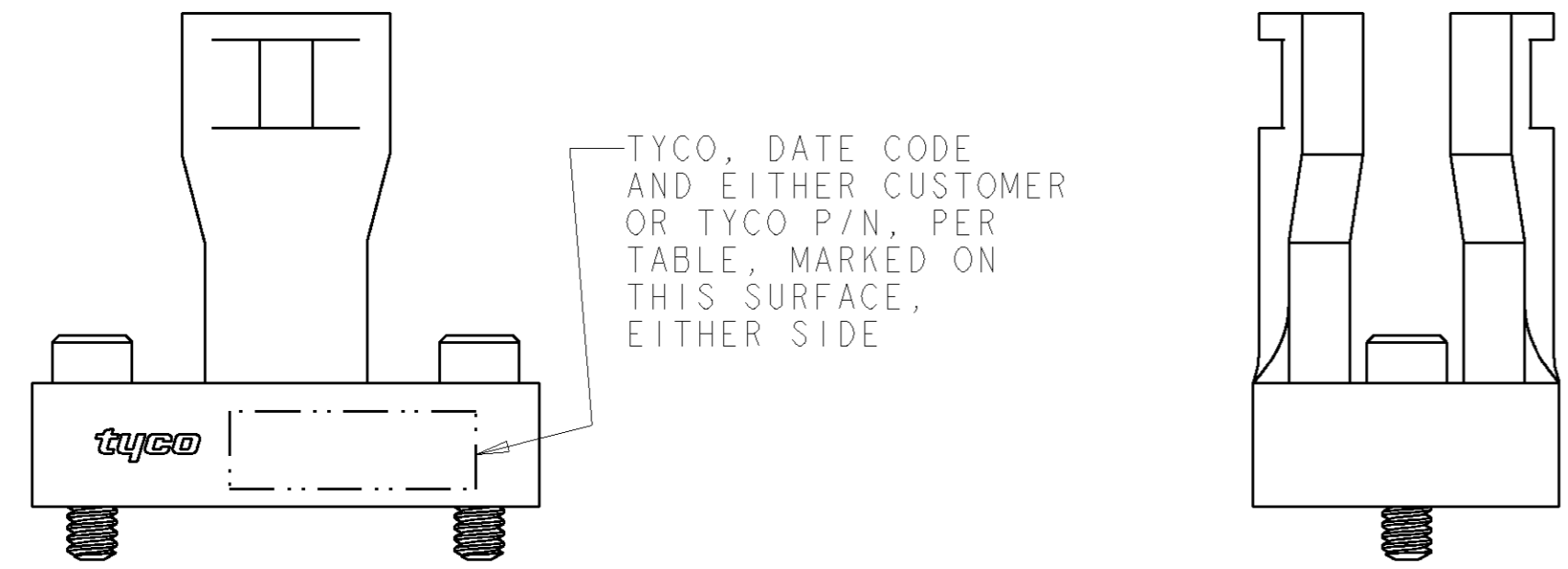
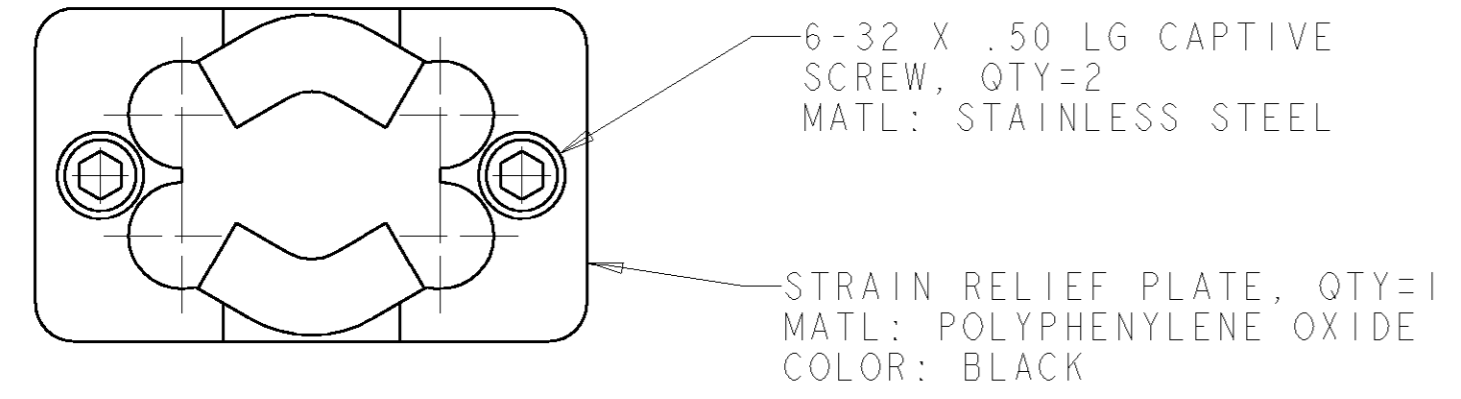
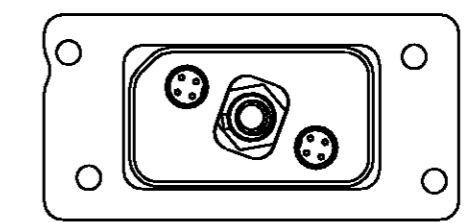
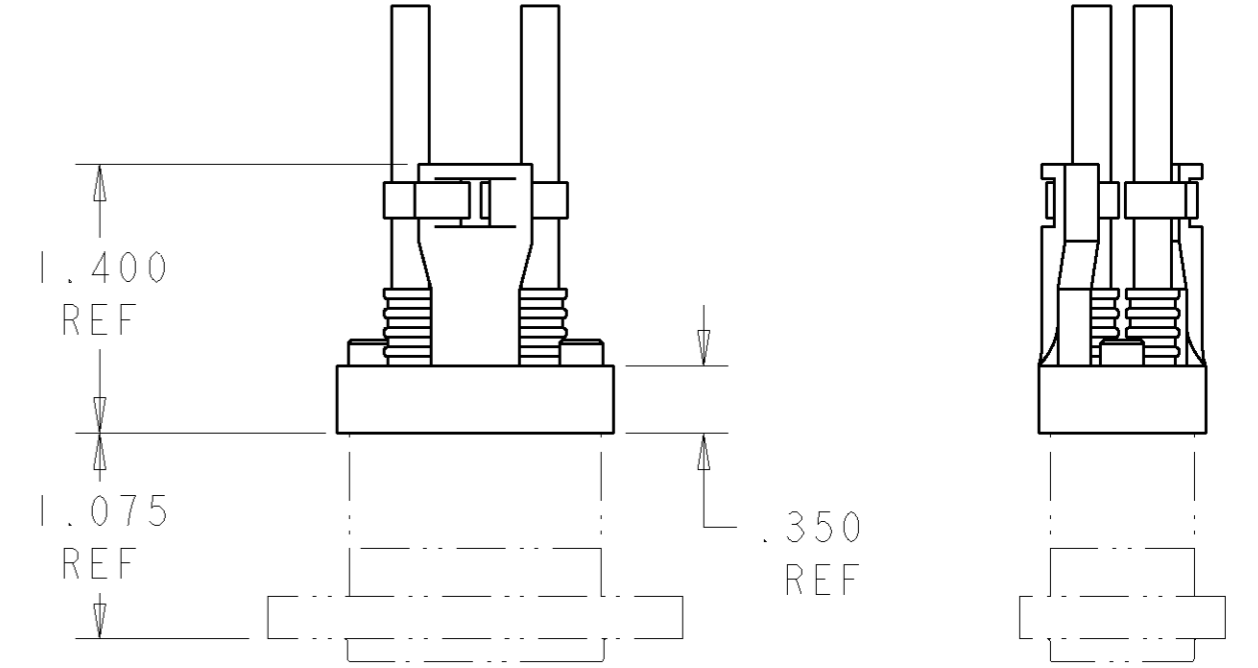
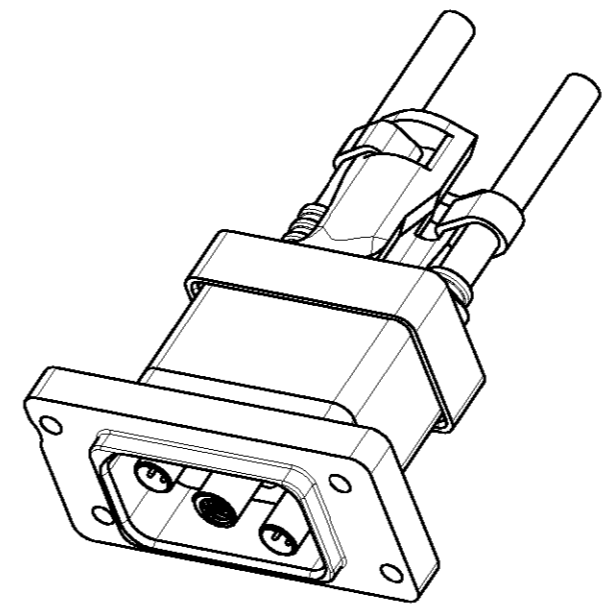
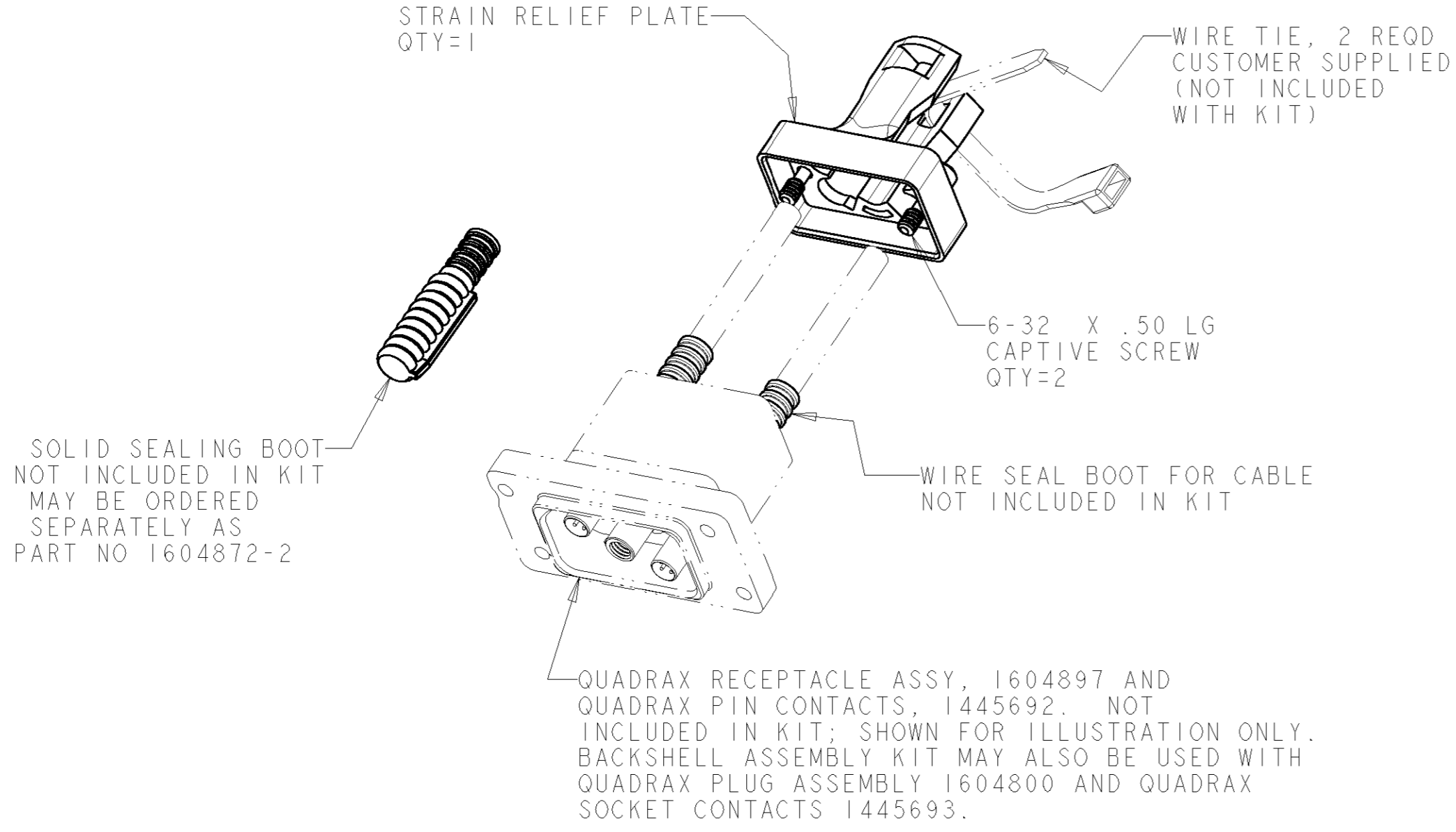


THIS DRAWING IS UNPUBLISHED. RELEASED FOR PUBLICATION 20
 © COPYRIGHT 20 BY TYCO ELECTRONICS CORPORATION. ALL RIGHTS RESERVED.

LOC		DIST		REVISIONS			
P	LTR	DESCRIPTION	DATE	DWN	APVD		
0		RELEASED PER 0H14-0311-05	02MAY05	BW	RW		



1604905-1 AND -2 KIT

BACC10MD1	---	RECEPTACLE 1604897 -OR- PLUG 1604898	1604905-2
---	1604905-1	RECEPTACLE 1604897 -OR- PLUG 1604898	1604905-1
MARKED BOEING PART NUMBER	MARKED TYCO PART NUMBER	USED ON	ASSEMBLY PART NO

THIS DRAWING IS A CONTROLLED DOCUMENT FOR TYCO ELECTRONICS CORPORATION IT IS SUBJECT TO CHANGE AND THE CONTROLLING ENGINEERING ORGANIZATION SHOULD BE CONTACTED FOR THE LATEST REVISION.

DWN: B. H. 10JUN03
 CHK: W. H. BERNHART 10JUN03
 APVD: W. H. BERNHART 10JUN03

tyco Tyco Electronics
 Harrisburg, PA 17105-3608

NAME: KIT, BACKSHELL, QUADRAX, 2 POSN

SIZE: A2 CAGE CODE: 00779 DRAWING NO: 1604905 RESTRICTED TO: -

MATERIAL: - DIMENSIONS: IN TOLERANCES UNLESS OTHERWISE SPECIFIED: 0 PLC ±.1, 1 PLC ±.1, 2 PLC ±.01, 3 PLC ±.005, 4 PLC ±.0020 ANGLES ±. FINISH: - WEIGHT: -

CUSTOMER DRAWING SCALE: 2:1 SHEET 1 OF 1 REV 0

单击下面可查看定价，库存，交付和生命周期等信息

[>>TE Connectivity\(泰科\)](#)