

4

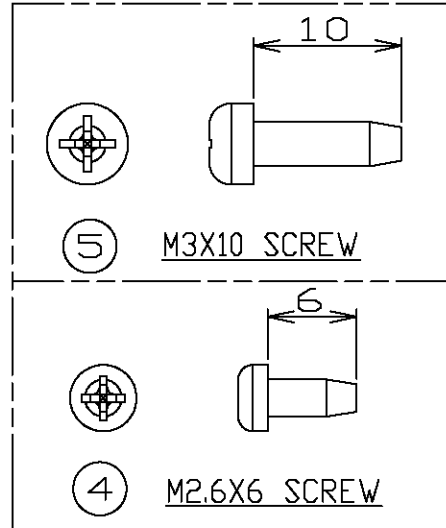
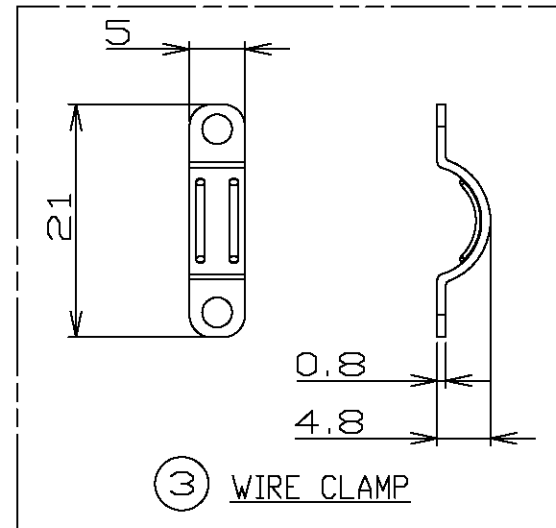
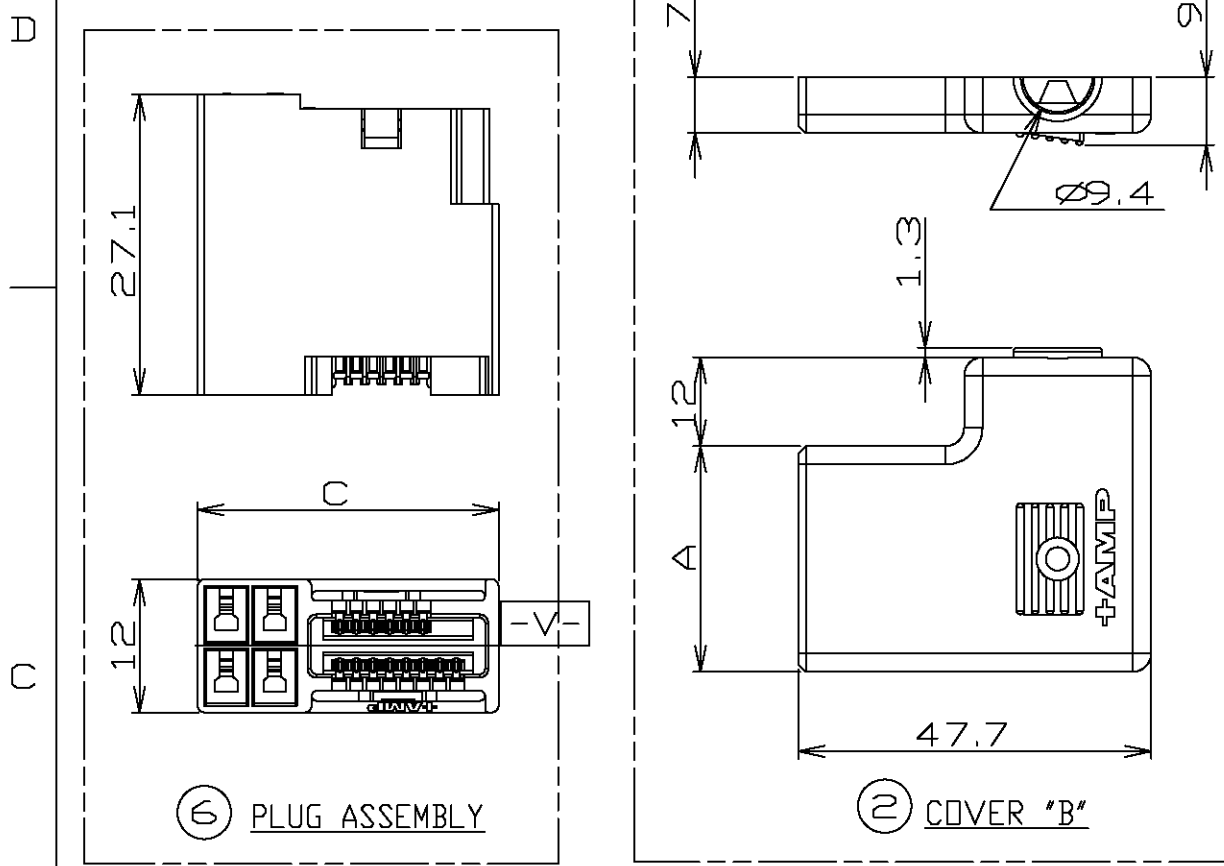
3

2

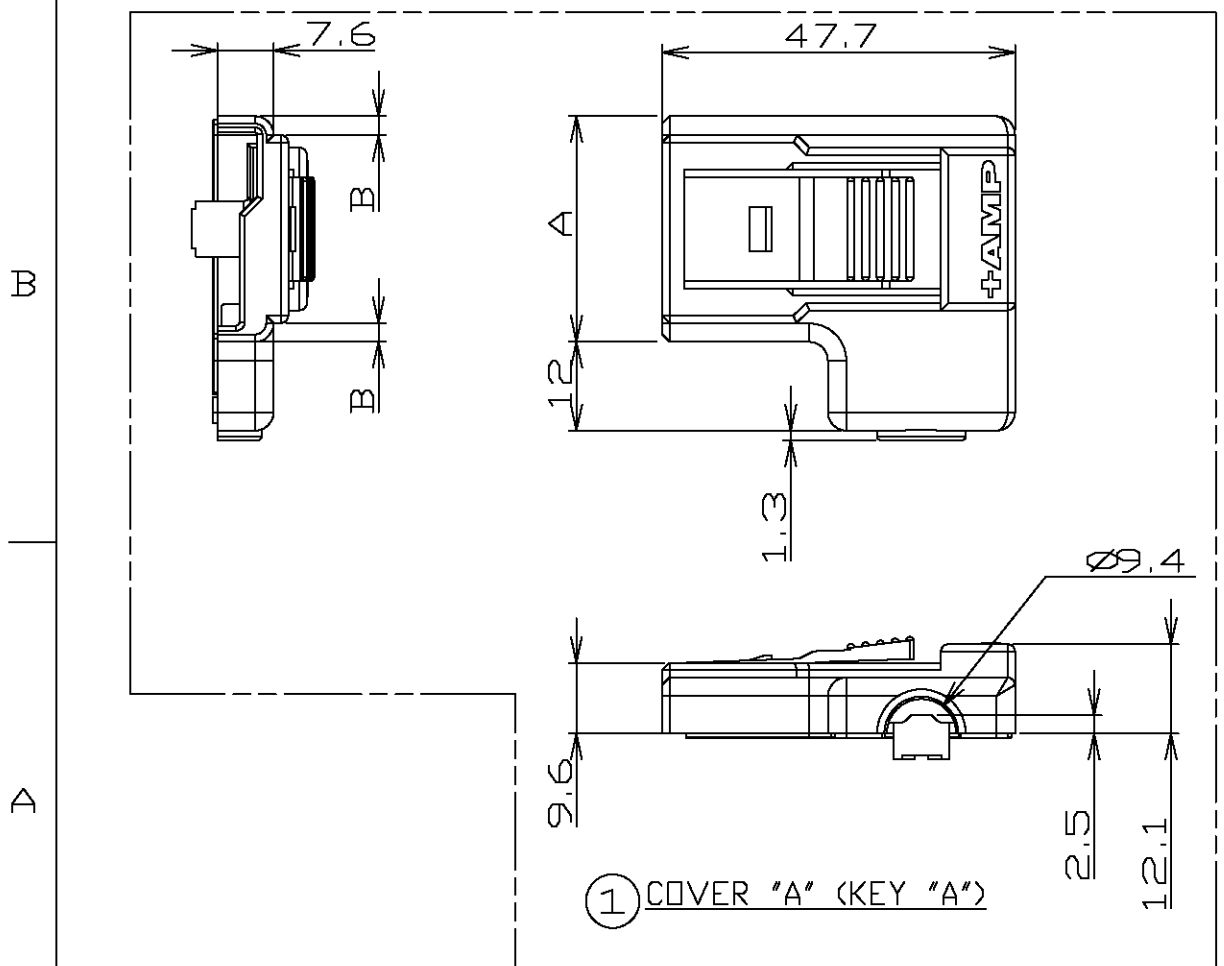
1

THIS DRAWING IS UNPUBLISHED. RELEASED FOR PUBLICATION  
 © COPYRIGHT BY TYCO ELECTRONICS CORPORATION. ALL RIGHTS RESERVED.

LOC	DIST	REVISIONS					
ES	00	P	LTR	DESCRIPTION	DATE	DWN	APVD
		A		REVISED FB00-0217-04	16DEC04	H.H	I.E



NOTES: THIS IS LEAD-FREE P/N.



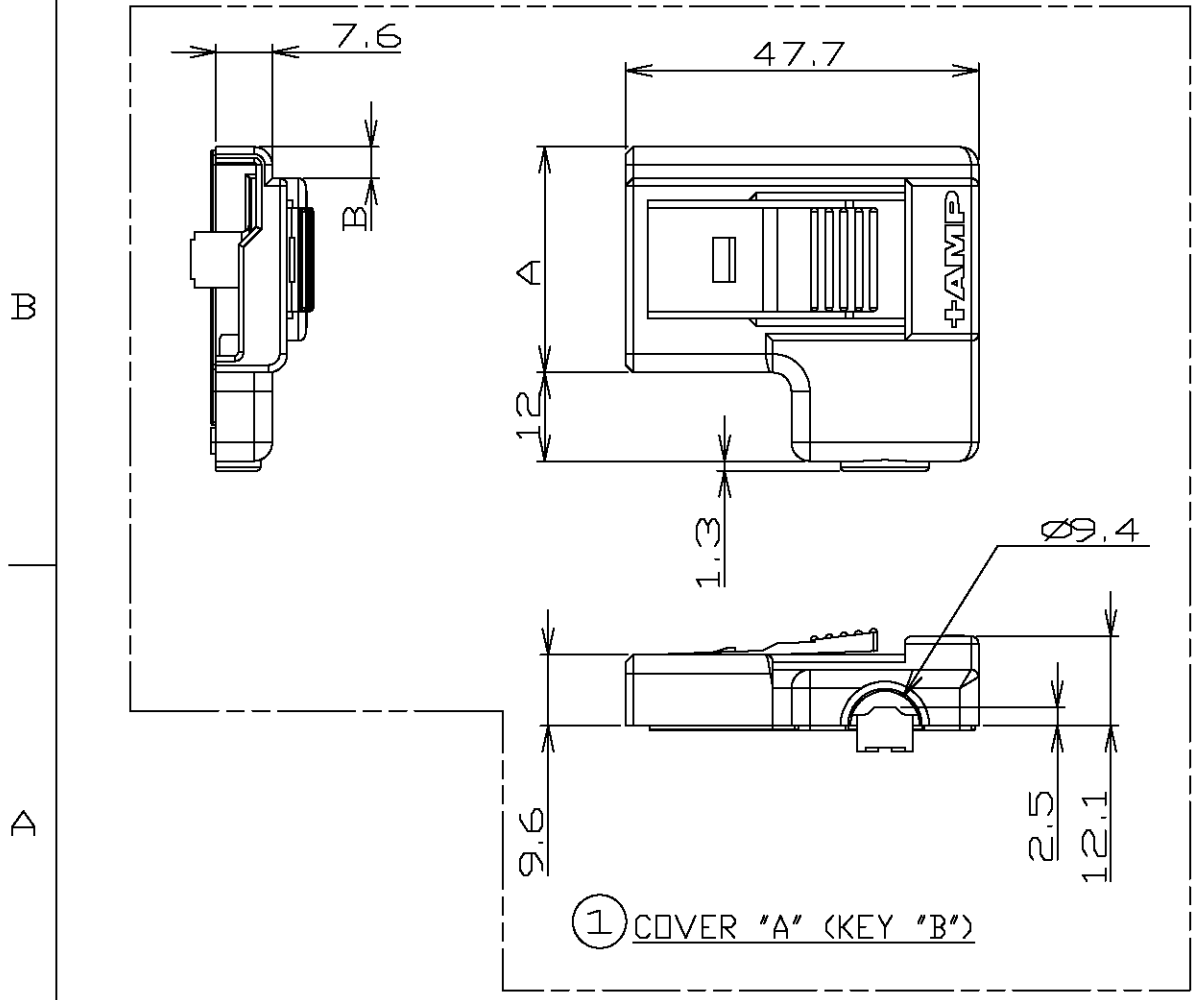
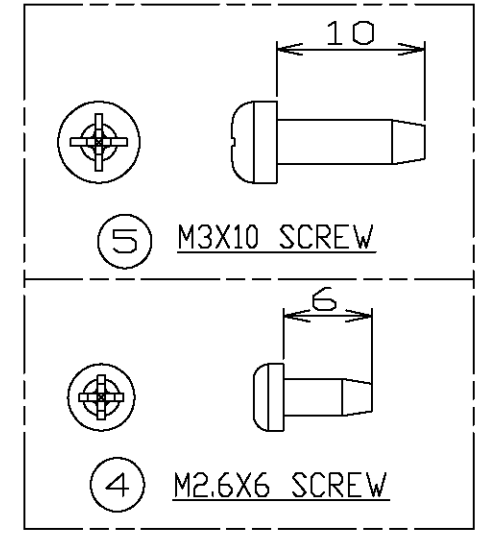
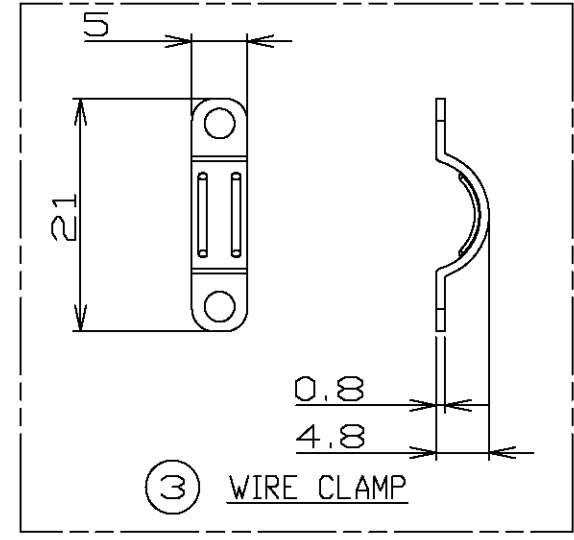
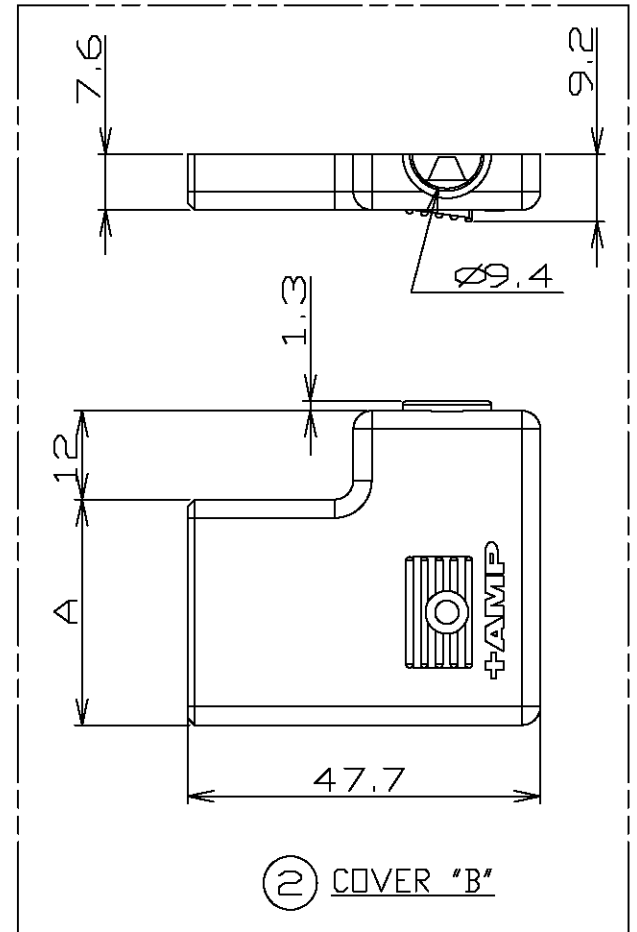
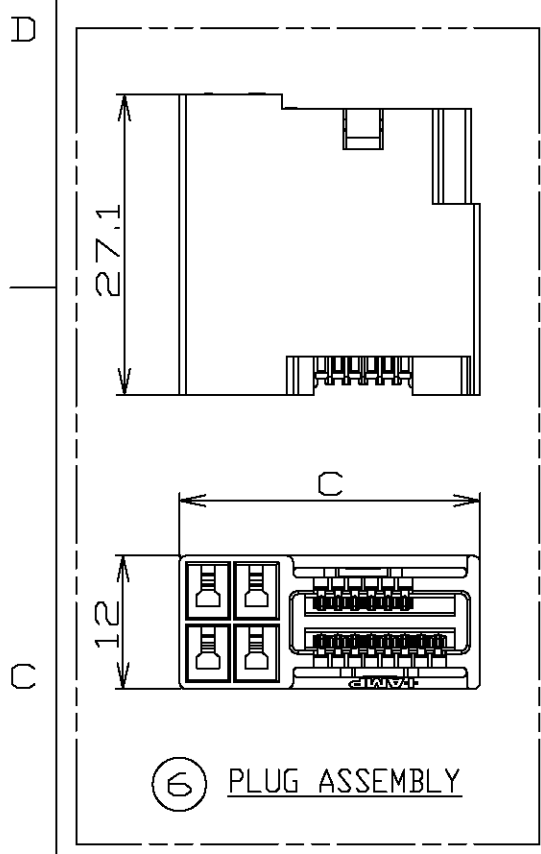
DIMENSIONS			QTY	MATERIAL & FINISH	DESCRIPTION	PART NUMBER	ITEM	KEY TYPE	PART NUMBER
27.1	—	—	1	THERMOPLASTIC, UL94V-0 COLOR: GRAY	PLUG ASSEMBLY, 14P	1-292245-4	⑥	A	1-292248-4
—	—	—	1	STEEL, ZINC PLATED	TAPTITE SCREW, P-TITE M3X10	292264-1	⑤		
—	—	—	2	STEEL, ZINC PLATED	TAPTITE SCREW, P-TITE M2.6X6	292263-1	④		
—	—	—	1	STEEL, ZINC PLATED	WIRE CLAMP	292265-1	③		
—	—	30.5	1	THERMOPLASTIC, UL94-HB, COLOR: GRAY	COVER "B", 14P	1-1123914-4	②		
—	2.55	30.5	1	THERMOPLASTIC, UL94-HB COLOR: GRAY	COVER "A", 14P, KEY "A"	1-1123913-4	①		

THIS DRAWING IS A CONTROLLED DOCUMENT FOR TYCO ELECTRONICS CORPORATION. IT IS SUBJECT TO CHANGE AND THE CONTROLLING ENGINEERING ORGANIZATION SHOULD BE CONTACTED FOR THE LATEST REVISION.

DIMENSIONS: mm	TOLERANCES UNLESS OTHERWISE SPECIFIED:	DWN J. JIANG 05FEB03	Tyco Electronics Corporation Shanghai, P.R.China, 200233
	0 PLC ±	CHK S. YAO 05FEB03	
	1 PLC ±	APVD T. SASAKI 05FEB03	
	2 PLC ±	NAME	
MATERIAL	FINISH	PRODUCT SPEC	CABLE CLAMP KIT FOR AMP 1.5mm PITCH MINI CT HYBRID LATTICE CONNECTOR
SEE TABLE	SEE TABLE	APPLICATION SPEC	RESTRICTED TO
		108-60028	SCALE NON
		114-5256	SHEET 1 OF 3
		WEIGHT	REV A
		CUSTOMER DRAWING	

THIS DRAWING IS UNPUBLISHED. RELEASED FOR PUBLICATION  
 © COPYRIGHT BY TYCO ELECTRONICS CORPORATION. ALL RIGHTS RESERVED.

LOC	DIST	REVISIONS		
ES	00	P	LTR	DESCRIPTION
				DATE
				DWN
				APVD
		SEE SHEET 1		

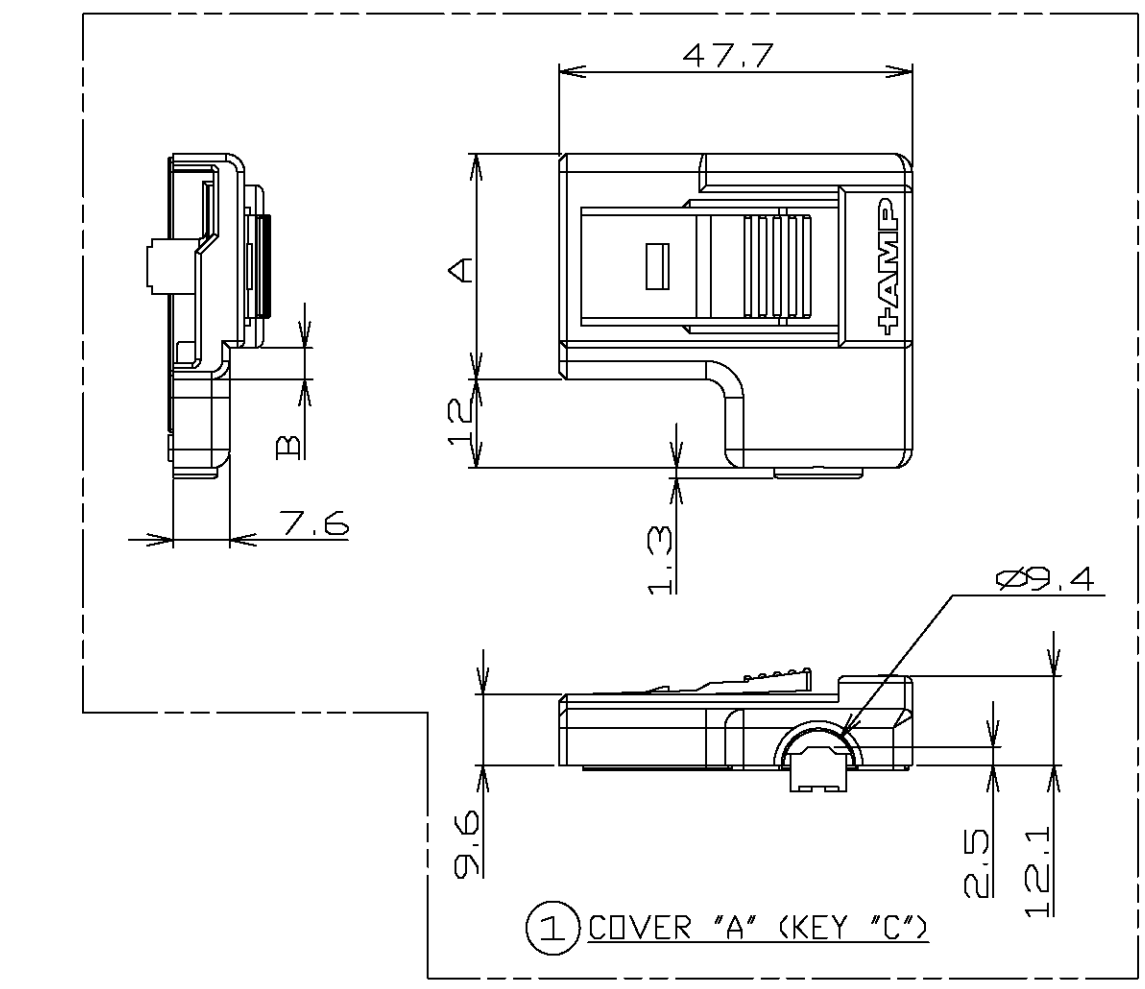
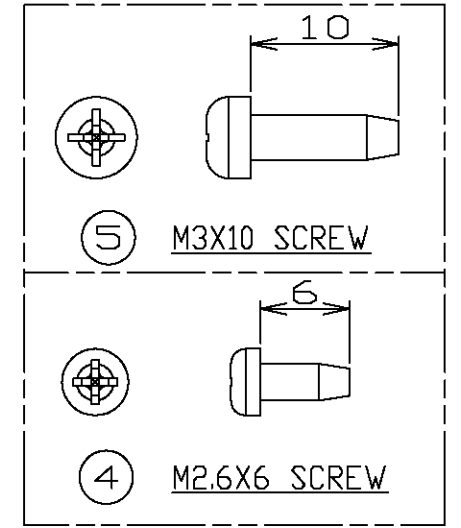
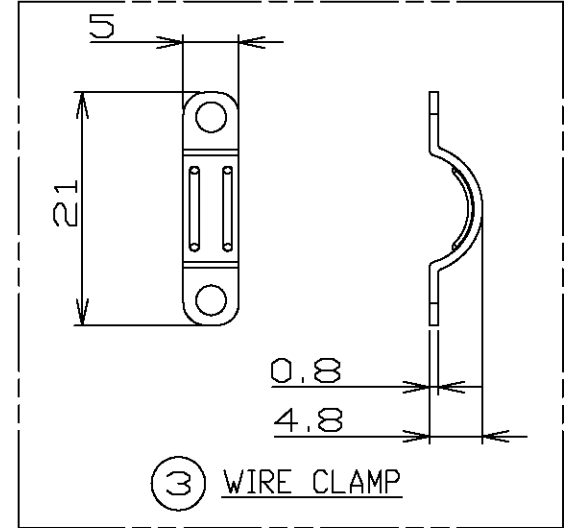
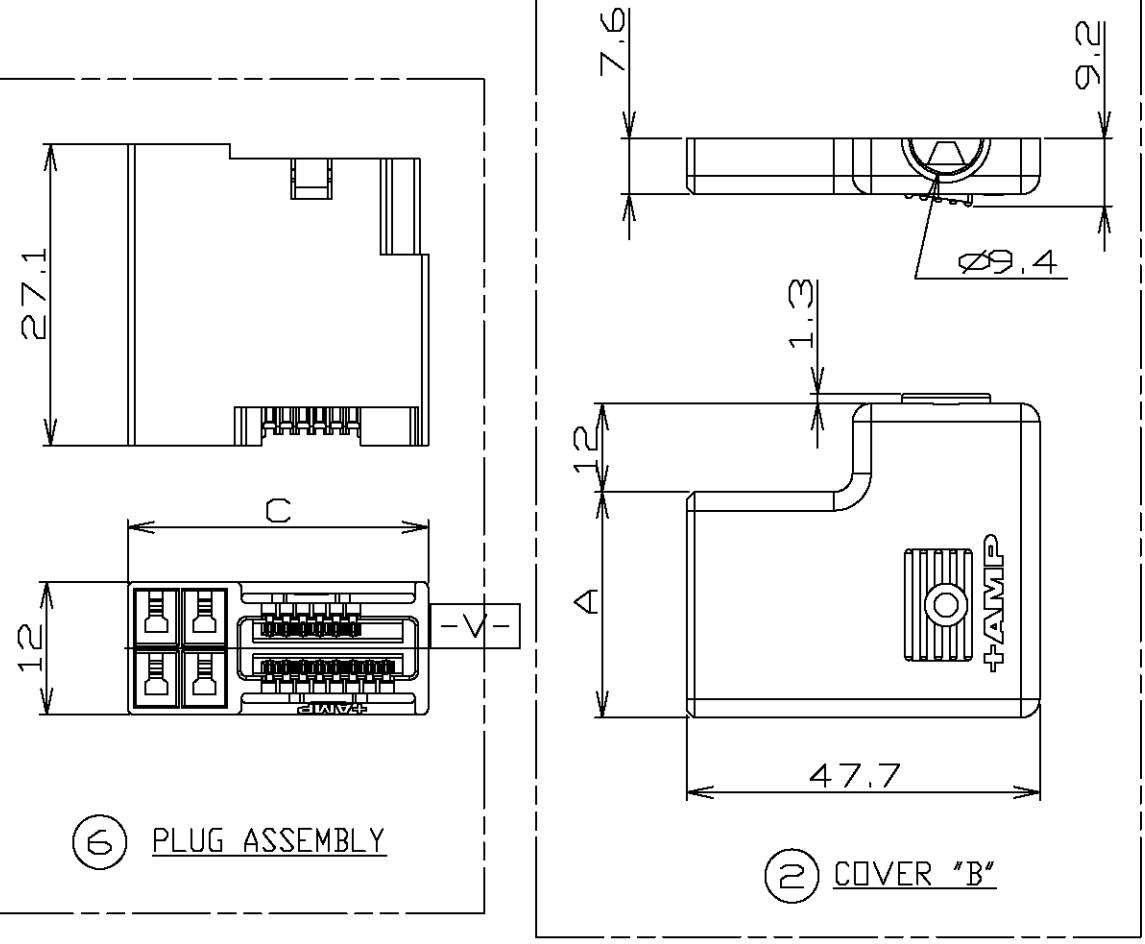


DIMENSIONS			QTY	MATERIAL & FINISH	DESCRIPTION	PART NUMBER	ITEM	KEY TYPE	PART NUMBER
27.1	—	—	1	THERMOPLASTIC, UL94V-0 COLOR: GRAY	PLUG ASSEMBLY, 14P	1-292245-4	⑥		
—	—	—	1	STEEL, ZINC PLATED	TAPTITE SCREW, P-TITE M3X10	292264-1	⑤		
—	—	—	2	STEEL, ZINC PLATED	TAPTITE SCREW, P-TITE M2.6X6	292263-1	④	B	3-292248-4
—	—	—	1	STEEL, ZINC PLATED	WIRE CLAMP	292265-1	③		
—	—	30.5	1	THERMOPLASTIC, UL94-HB, COLOR: GRAY	COVER "B", 14P	1-1123914-4	②		
—	4.25	30.5	1	THERMOPLASTIC, UL94-HB COLOR: GRAY	COVER "A", 14P, KEY "B"	3-1123913-4	①		

DIMENSIONS: mm 		TOLERANCES UNLESS OTHERWISE SPECIFIED: 0 PLC ± 1 PLC ± 2 PLC ± 3 PLC ± 4 PLC ± ANGLES ±		DWN CHK APVD PRODUCT SPEC APPLICATION SPEC WEIGHT CUSTOMER DRAWING		<b>tyco</b> <b>Electronics</b> Tyco Electronics Corporation Shanghai, P.R.China, 200233		NAME <b>CABLE CLAMP KIT          FOR AMP 1.5mm PITCH MINI CT          HYBRID LATTICE CONNECTOR</b>		SIZE <b>A3</b>		CAGE CODE <b>00779</b>		DRAWING NO <b>C-292248</b>		RESTRICTED TO			
SEE TABLE		SEE TABLE		SCALE		NON		SHEET		2		OF		3		REV		A	

THIS DRAWING IS UNPUBLISHED. RELEASED FOR PUBLICATION  
 © COPYRIGHT BY TYCO ELECTRONICS CORPORATION. ALL RIGHTS RESERVED.

LOC	DIST	REVISIONS		
ES	00	P	LTR	DESCRIPTION
				DATE
				DWN
				APVD
		SEE SHEET 1		



DIMENSIONS			QTY	MATERIAL & FINISH	DESCRIPTION	PART NUMBER	ITEM	KEY TYPE	PART NUMBER
27.1	—	—	1	THERMOPLASTIC, UL94V-0 COLOR: GRAY	PLUG ASSEMBLY, 14P	1-292245-4	⑥		
—	—	—	1	STEEL, ZINC PLATED	TAPTITE SCREW, P-TITE M3X10	292264-1	⑤		
—	—	—	2	STEEL, ZINC PLATED	TAPTITE SCREW, P-TITE M2.6X6	292263-1	④	C	5-292248-4
—	—	—	1	STEEL, ZINC PLATED	WIRE CLAMP	292265-1	③		
—	—	30.5	1	THERMOPLASTIC, UL94-HB, COLOR: GRAY	COVER "B", 14P	1-1123914-4	②		
—	4.25	30.5	1	THERMOPLASTIC, UL94-HB COLOR: GRAY	COVER "A", 14P, KEY "C"	5-1123913-4	①		

THIS DRAWING IS A CONTROLLED DOCUMENT FOR TYCO ELECTRONICS CORPORATION. IT IS SUBJECT TO CHANGE AND THE CONTROLLING ENGINEERING ORGANIZATION SHOULD BE CONTACTED FOR THE LATEST REVISION.

DIMENSIONS: mm	TOLERANCES UNLESS OTHERWISE SPECIFIED:	DWN	Tyco Electronics Corporation Shanghai, P.R.China, 200233
	0 PLC ±	CHK	
	1 PLC ±	APVD	
	2 PLC ±	PRODUCT SPEC	
MATERIAL	FINISH	APPLICATION SPEC	NAME
SEE TABLE	SEE TABLE	WEIGHT	CABLE CLAMP KIT FOR AMP 1.5mm PITCH MINI CT HYBRID LATTICE CONNECTOR
		CUSTOMER DRAWING	SIZE CAGE CODE DRAWING NO RESTRICTED TO
			A3 00779 C-292248
			SCALE: NON SHEET 3 OF 3 REV A

单击下面可查看定价，库存，交付和生命周期等信息

[>>TE Connectivity\(泰科\)](#)