

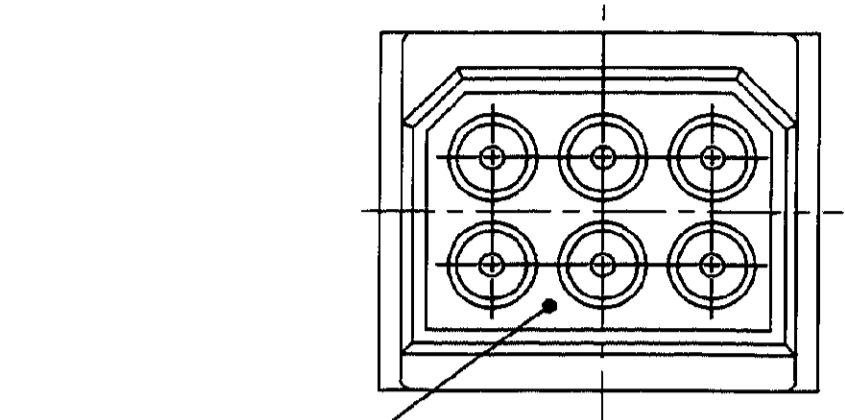
4 3 2 1

DRAWING MADE IN THIRD ANGLE PROJECTION

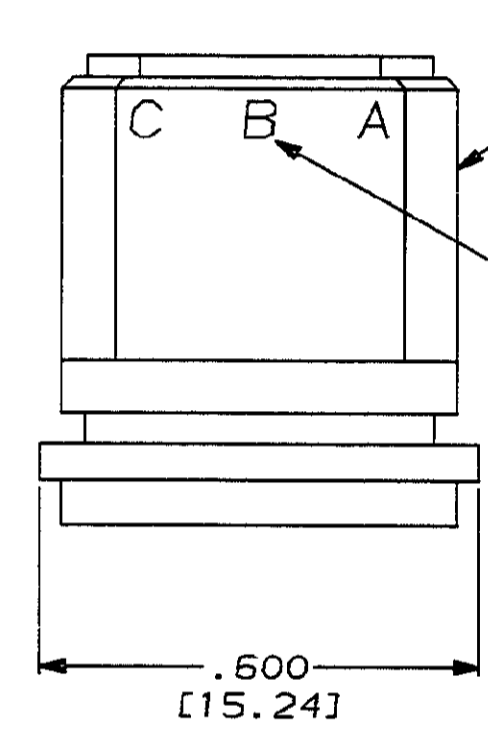
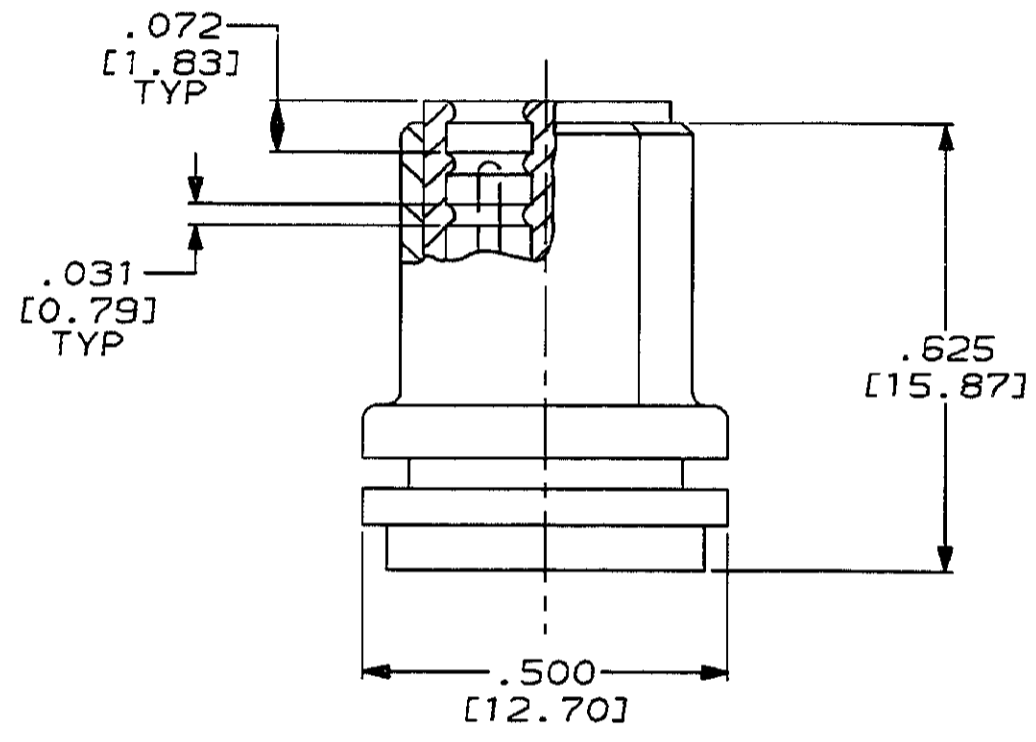
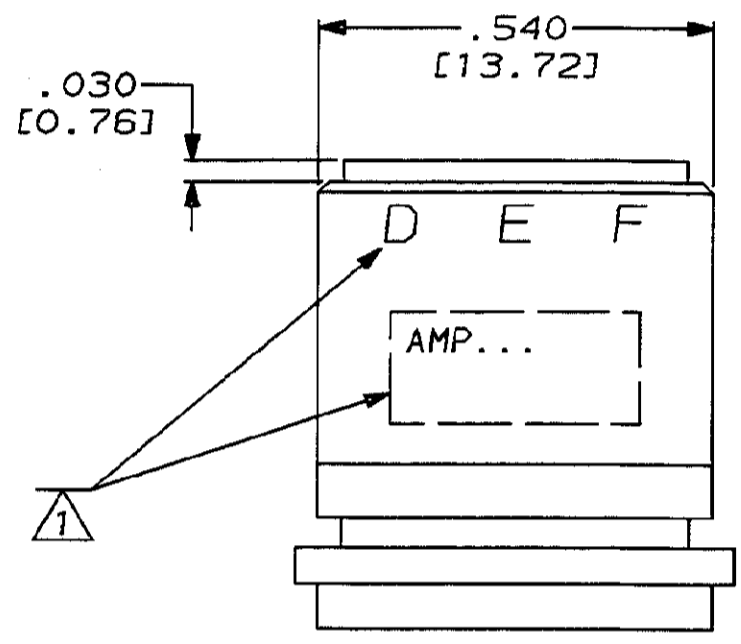
THIS DRAWING IS UNPUBLISHED. RELEASED FOR PUBLICATION, 19 .

© COPYRIGHT 19 BY AMP INCORPORATED. ALL INTERNATIONAL RIGHTS RESERVED.

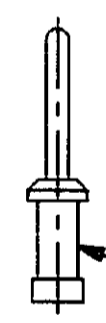
PROJ 4081 CODE	LOC DF	DIST SO	REVISIONS				DATE	APPD
			ZONE	LTR	DESCRIPTION			
			✓	B	REV & REDRAWN; DF-5994	CT	12-92	DE



SILICONE SLUG



HOUSING
MAT'L: THERMOPLASTIC, GLASS
FILLED POLYESTER
COLOR: BLACK



PIN, 6 PLC
MAT'L: BRONZE PER ASTM-B-140
FINISH: GOLD PLATED PER MIL-G-45204 TYPE II
OVER NICKEL PER QQ-N-290

⚠ MARKED PER MIL-STD-130.

THIS DRAWING IS A CONTROLLED DOCUMENT FOR AMP INCORPORATED. IT IS SUBJECT TO CHANGE AND THE CONTROLLING ENGINEERING ORGANIZATION SHOULD BE CONTACTED FOR THE LATEST REVISION.

445092-1
PART NO.

DO NOT SCALE PRINT. UNLESS SPECIFIED DIMENSIONS IN INCHES [mm] TOLERANCES ON: 2 PLC DEC ± - 3 PLC DEC ± .005 [0.13] ANGLES ± -	DR 12-5-92 C.C.THOMAS	AMP AMP Incorporated Harrisburg, PA 17105-3608		
	CHK 1-11-93 D.EABY			
MATERIAL SEE CALLOUTS	APPD 1-11-93 D.EABY	NAME 6 PIN SUBMINIATURE PLUG KIT, LGH		
FINISH SEE CALLOUTS	RLSE 1-11-93 C.C.THOMAS	SIZE C	CASE CODE 00779	DRAWING NO C-445092
	PRODUCT SPEC -	SCALE 4:1	SHEET 1 OF 1	
	APPLICATION SPEC -	CUSTOMER DRAWING		
	WEIGHT -			

单击下面可查看定价，库存，交付和生命周期等信息

[>>TE Connectivity\(泰科\)](#)