

4

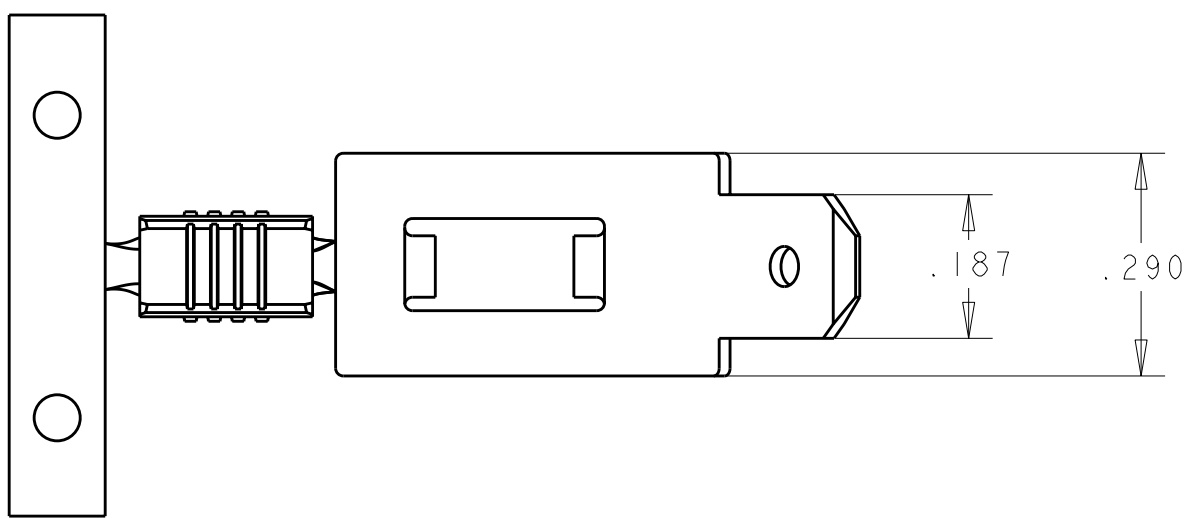
3

2

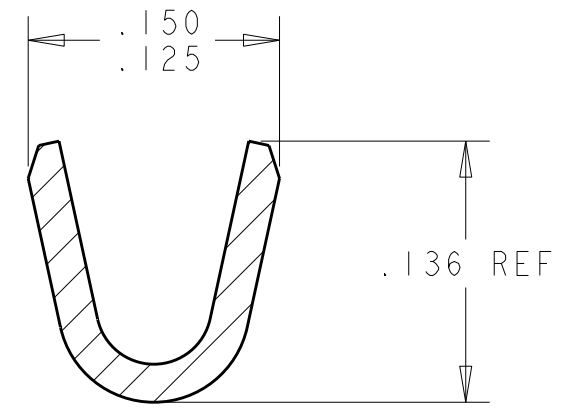
1

THIS DRAWING IS UNPUBLISHED. RELEASED FOR PUBLICATION 20
 © COPYRIGHT 20 BY TYCO ELECTRONICS CORPORATION. ALL RIGHTS RESERVED.

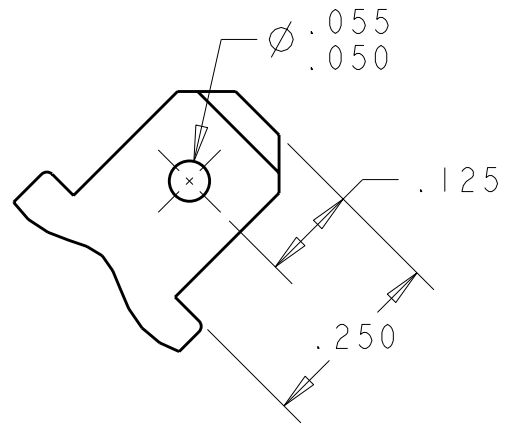
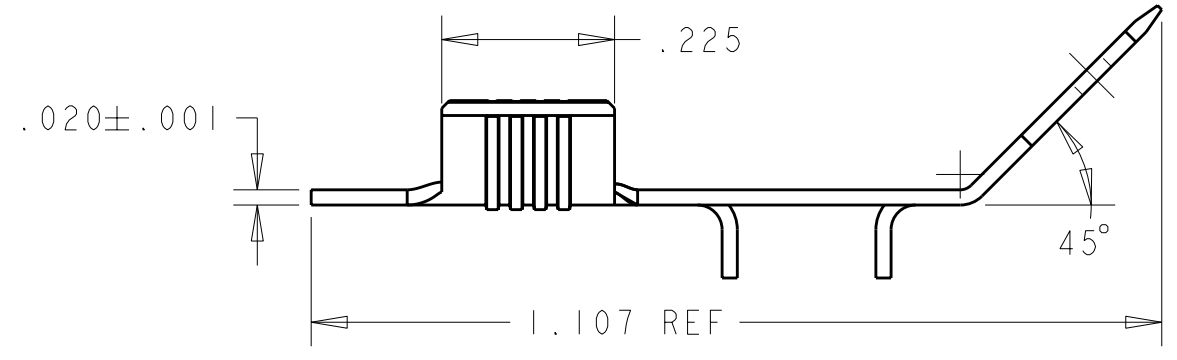
LOC	DIST	REVISIONS			
P	LTR	DESCRIPTION	DATE	DWN	APVD
AF	42	B	REVISED PER ECR-10-004058	10JUN2010	HMR PD



- 1. CONTINUOUS STRIP ON REELS
- 2. WIRE SIZE 20-16 AWG



SECTION Z-Z
SCALE 10:1



1217891-1
PART NUMBER

<small>THIS DRAWING IS A CONTROLLED DOCUMENT FOR TYCO ELECTRONICS CORPORATION IT IS SUBJECT TO CHANGE AND THE CONTROLLING ENGINEERING ORGANIZATION SHOULD BE CONTACTED FOR THE LATEST REVISION.</small>		DWN R FLAIG 09APR2003 CHK P DESANTIS 09APR2003 APVD P DESANTIS 09APR2003		Tyco Electronics Harrisburg, PA 17105-3608	
DIMENSIONS: INCHES		TOLERANCES UNLESS OTHERWISE SPECIFIED:		NAME CONTACT, FASTON, TAB, .187 SERIES	
		0 PLC ±. 1 PLC ±. 2 PLC ±. 3 PLC ±.010 4 PLC ±. ANGLES ±5°		PRODUCT SPEC - APPLICATION SPEC - WEIGHT -	
MATERIAL 082 BRASS		FINISH TIN		SIZE A3 CAGE CODE 00779 DRAWING NO C-1217891 RESTRICTED TO -	
CUSTOMER DRAWING				SCALE 4:1 SHEET 1 OF 1 REV B	

单击下面可查看定价，库存，交付和生命周期等信息

[>>TE Connectivity\(泰科\)](#)