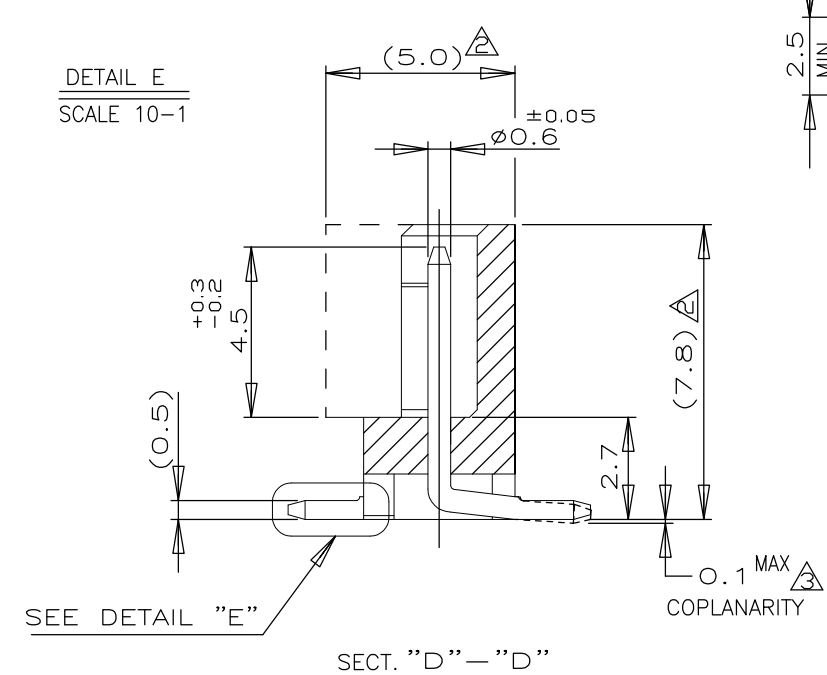
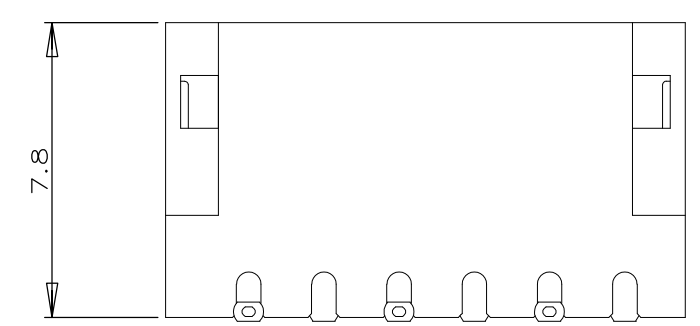
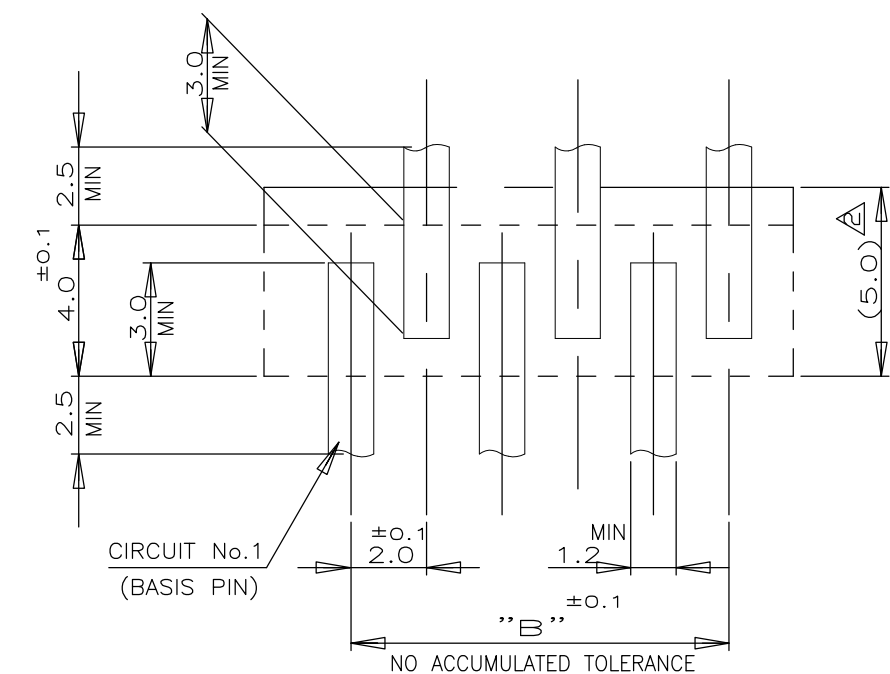
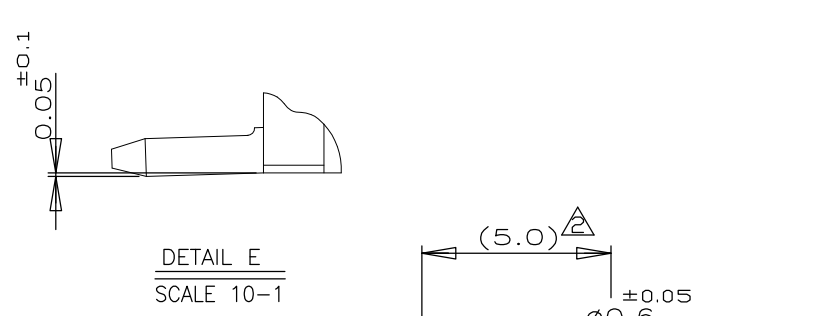
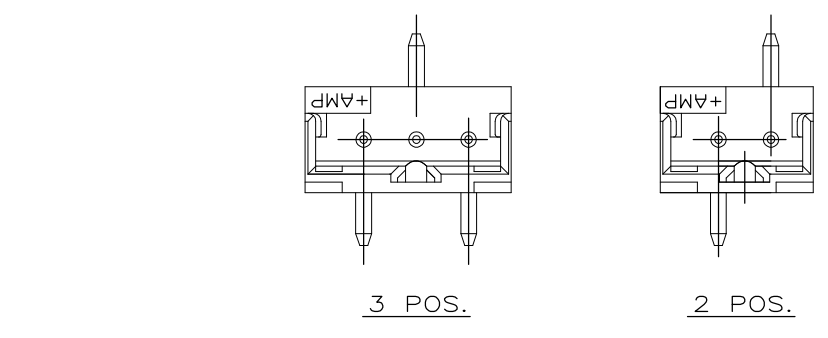
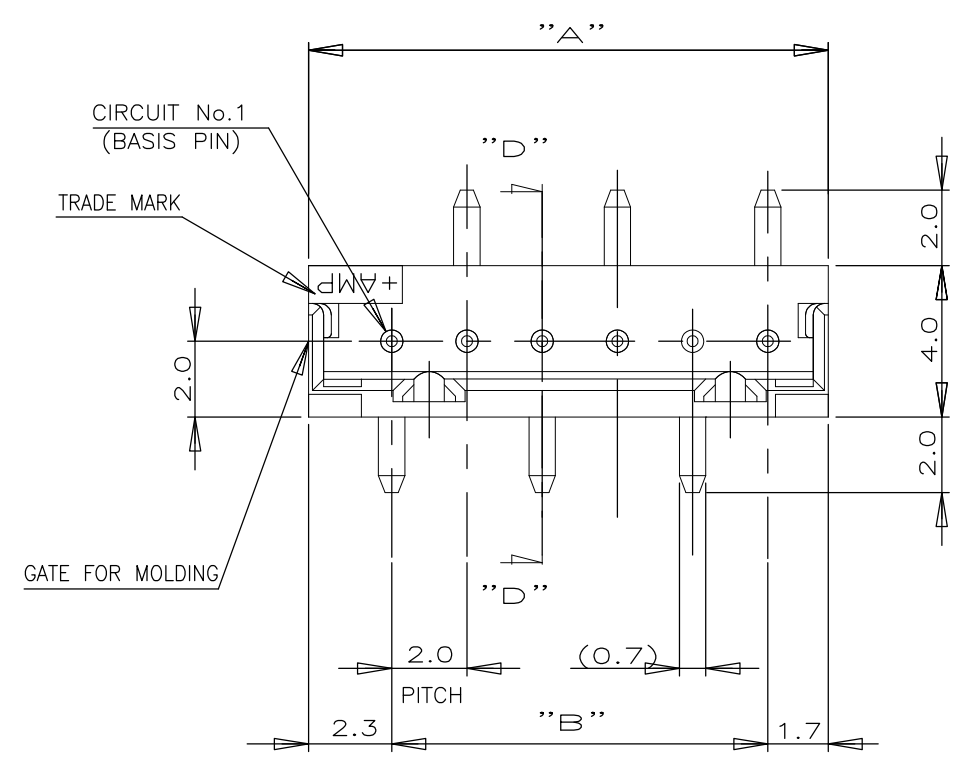


THIS DRAWING IS UNPUBLISHED. RELEASED FOR PUBLICATION  
 © COPYRIGHT - By - ALL RIGHTS RESERVED.

LOC	DIST	REVISIONS					
FB	00	P	LTR	DESCRIPTION	DATE	DWN	APVD
			A1	REVISED PER ECO-11-005033	28MAR11	RK	HMR



- NOTES;
- MATERIAL : HOUSING - 6T PA G.F.30% (UL94V-0)  
COLOR BLACK OR NATURAL  
POST - TIN BRASS
  - OCCUPANT AREA ON PC BOARD  
(AFTER CONNECTOR MATING)
  - TO BE MEASURED WITH CONNECTOR PLACED ON HORIZONTAL DATUM SURFACE, FLOAT OF SOLDER TINE FROM DATUM SURFACE IS 0.1mm MAX
  - PART NUMBER FOR TUBE: 8-720999-6
  - PRODUCT MUST COME OUT SMOOTHLY FROM TUBE AT INCLINING THE TUBE TO 45°

20	20.0	16.0	9	6-292172-9	292172-9
25	18.0	14.0	8	6-8	8
30	16.0	12.0	7	6-7	7
30	14.0	10.0	6	6-6	6
40	12.0	8.0	5	6-5	5
45	10.0	6.0	4	6-4	4
60	8.0	4.0	3	6-3	3
80	6.0	2.0	2	6-292172-2	292172-2
QTY'S/TUBE	"A"	"B"	Pos.	NATURAL	BLACK
				P/N	

TOLERANCES UNLESS OTHERWISE SPECIFIED:

10 > *	: ±0.2
30 > * > 10	: ±0.25
100 > * > 30	: ±0.3
ANGEL	: ±3°

THIS DRAWING IS A CONTROLLED DOCUMENT.

DIMENSIONS: mm

TOLERANCES UNLESS OTHERWISE SPECIFIED:

0 PLC	± -
1 PLC	± -
2 PLC	± -
3 PLC	± -
4 PLC	± -
ANGLES	± -
FINISH	± -

MATERIAL

DWN J.JIANG 23JAN03  
 CHK S.YAO 23JAN03  
 APVD T.SASAKI 23JAN03

PRODUCT SPEC  
108-60016

APPLICATION SPEC

WEIGHT

CUSTOMER DRAWING

STE TE Connectivity

TUBE PACKING AMP CT CONN  
POST HDR ASS'Y (STD-V SMT) W/O BOSS

SIZE A3 CAGE CODE 00779 DRAWING NO C-292172 RESTRICTED TO -

SCALE NTS SHEET 1 OF 1 REV A1

单击下面可查看定价，库存，交付和生命周期等信息

[>>TE Connectivity\(泰科\)](#)