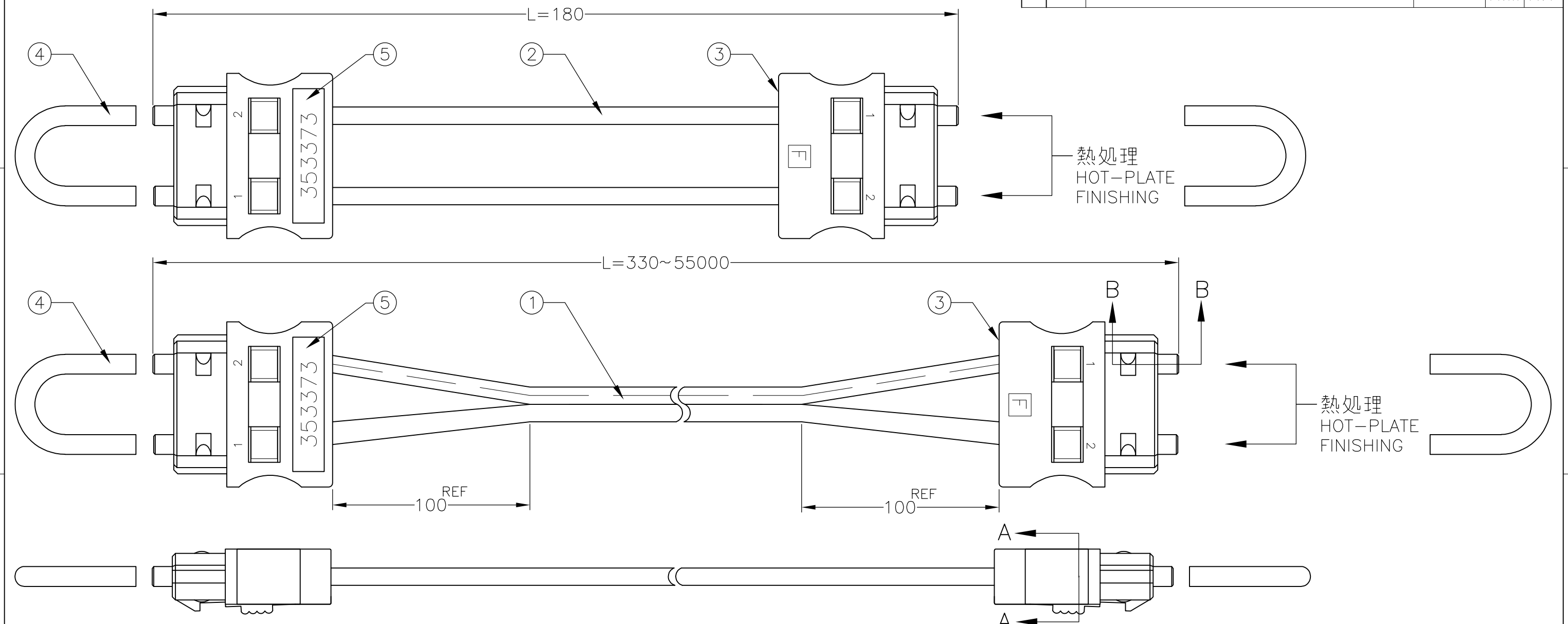
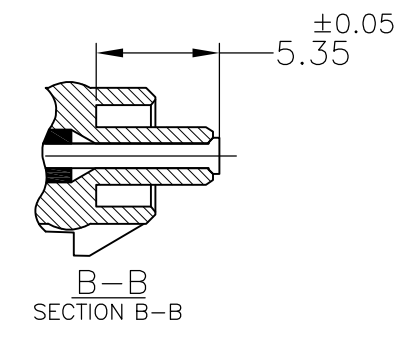
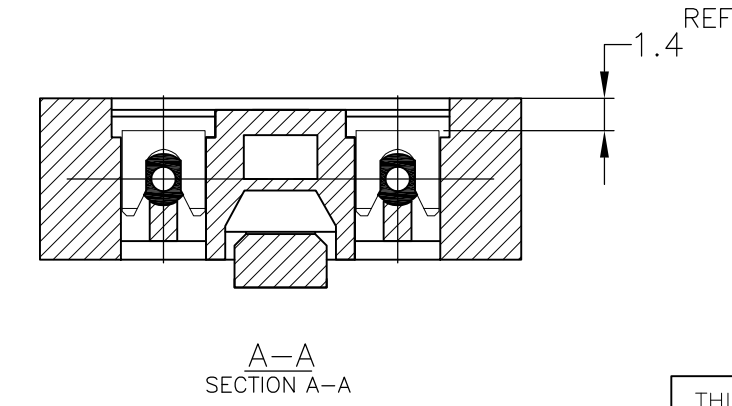


THIS DRAWING IS UNPUBLISHED. RELEASED FOR PUBLICATION
 © COPYRIGHT - Tyco Electronics Japan G.K. ALL RIGHTS RESERVED.

LOC	DIST	REVISIONS					
J	-	P	LTR	DESCRIPTION	DATE	DWN	APVD
		B		REVISED	02FEB2015	H.M	N.Y



"L" LENGTH(mm)	TOLERANCE	CABLE ASSY P/N
180	+20/-10	353373-1
330	+20/-10	353373-2
500	+50/-0	353373-3
1000	+50/-0	353373-4
2000	+200/-0	353373-5
3000	+200/-0	353373-6
5000	+200/-0	353373-7
7000	+200/-0	353373-8
10000	+200/-0	353373-9
8000	+200/-0	1-353373-0
20000	+400/-0	1-353373-1
25000	+400/-0	1-353373-2
31000	+600/-0	1-353373-3
55000	+1000/-0	1-353373-4
30000	+600/-0	1-353373-5
11000	+200/-0	1-353373-6



QTY	NAME	COLOR	ITEM NO.
1	LABEL	-	5
2	SILICON TUBE	CLEAR	4
2	HOUSING PRE-ASSEMBLY	BLACK	3
AR	APF CABLE SIMPLEX	BLACK	2
AR	APF CABLE DUPLEX	BLACK	1

THIS DRAWING IS A CONTROLLED DOCUMENT.

DWN	N.SUDO	24NOV98	TE Connectivity F07A APF PLUG CABLE ASSY
CHK	K.TAKAHASHI	24NOV98	
APVD	K.TAKAHASHI	24NOV98	
PRODUCT SPEC	NAME		
APPLICATION SPEC			RESTRICTED TO
WEIGHT	A3	00779	C=353373
CUSTOMER DRAWING			SCALE NTS SHEET 1 OF 1 REV B

单击下面可查看定价，库存，交付和生命周期等信息

[>>TE Connectivity\(泰科\)](#)