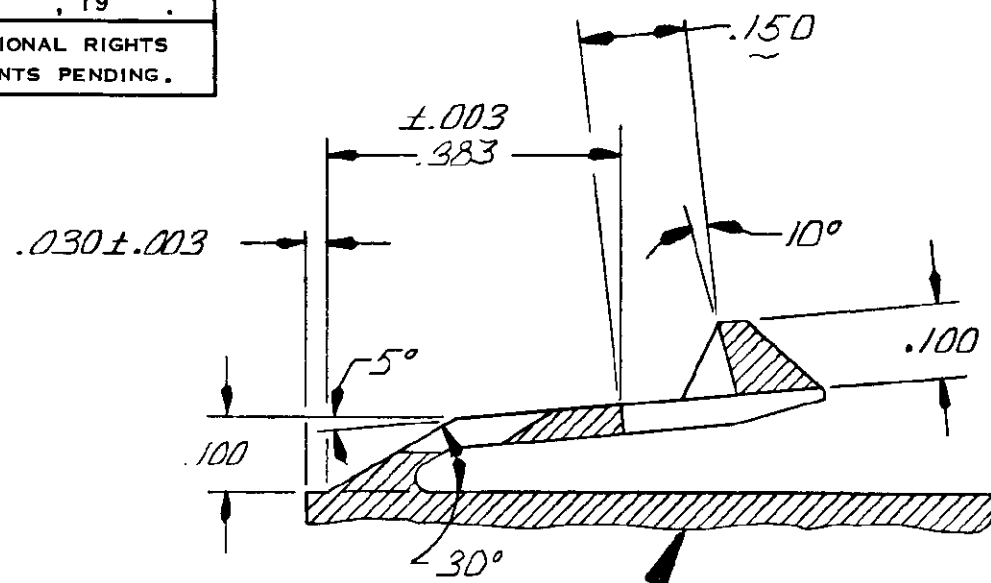
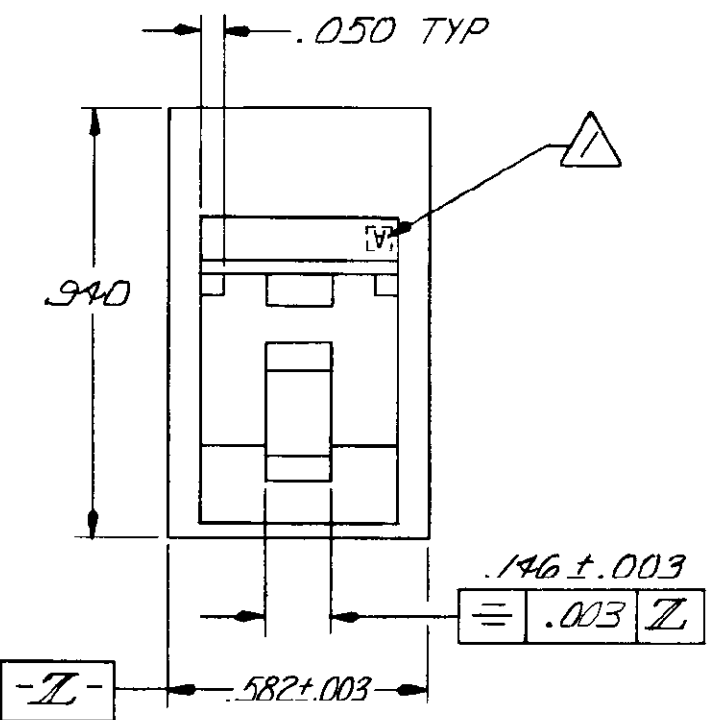


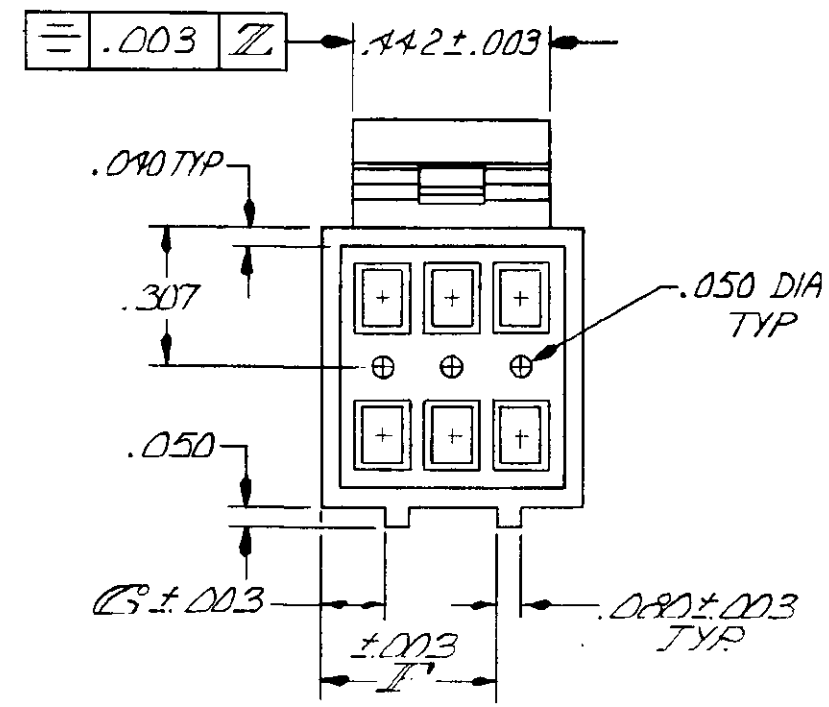
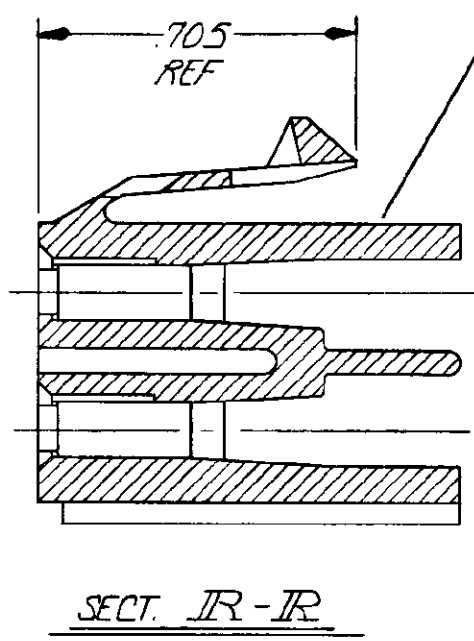
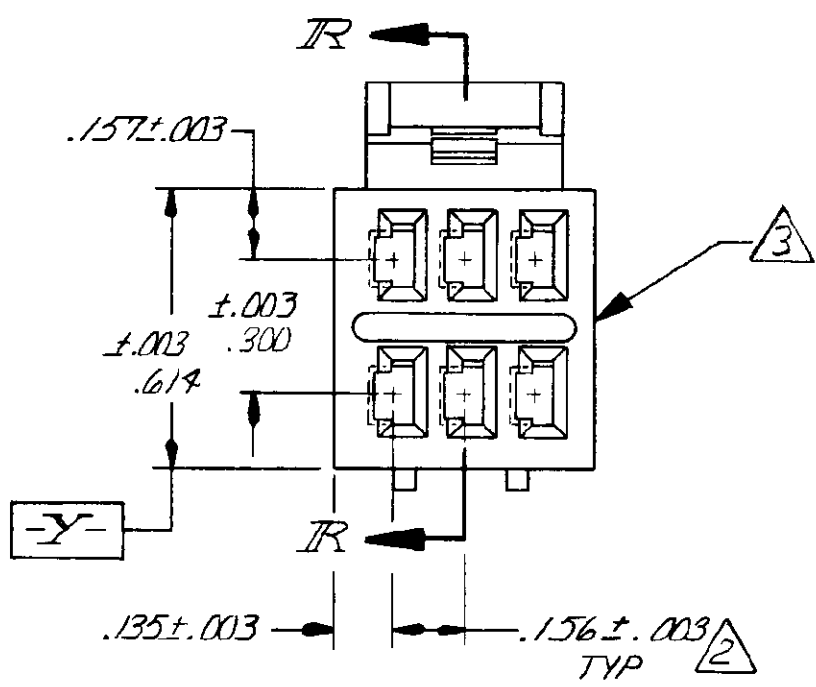
THIS DRAWING IS UNPUBLISHED. RELEASED FOR PUBLICATION, 19
 © COPYRIGHT 19 BY AMP INCORPORATED, HARRISBURG, PA. ALL INTERNATIONAL RIGHTS RESERVED. AMP PRODUCTS MAY BE COVERED BY U.S. AND FOREIGN PATENTS AND/OR PATENTS PENDING.

| REVISIONS | | | | | | |
|-----------|---|------|-----|------------------------|----------|----------|
| P | F | ZONE | LTR | DESCRIPTION | DATE | APPROVED |
| 1 | ✓ | | D | REL. WAS 5106-70 | 12-21-83 | WAL |
| 2 | ✓ | | A | REV PLX ECN 481 | 12-24-83 | WAL |
| 3 | ✓ | | B | REV ECN 856 | 10-25-85 | TRD J |
| 4 | ✓ | | C | REV LOC & DIST AD-4171 | 11-27-89 | BF |
| 5 | ✓ | | D | REV PER 0410-0489-44 | 4-8-94 | JH |

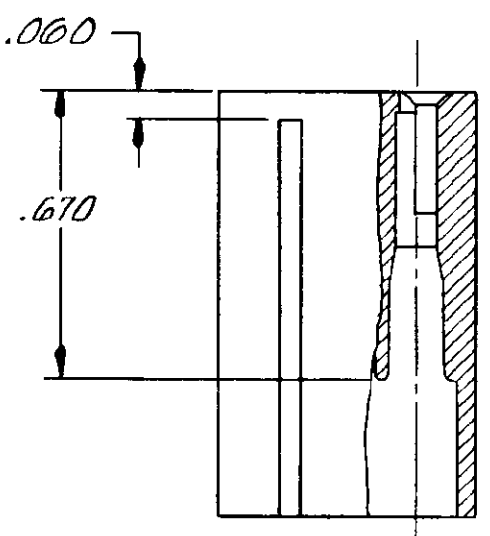
D



C



B



A

- ① HOUSING IDENT. LETTER, .093 HIGH CHARS., RAISED .003-.005 HIGH IN APPROX. AREA SHOWN. SEE TABLE FOR LETTER.
- ② TOLERANCE NON-CUMULATIVE.
- ③ BLUSHING PERMISSIBLE IN THIS AREA.

| | | | | |
|--------------------|------|------|-------------|----------|
| B | .338 | .188 | G | 103366-2 |
| A | .358 | .138 | G | 103366-1 |
| HSG. IDENT. LETTER | F | G | NO. OF POS. | PART NO |

| | | | | |
|---|---|--|---|-----------------------------|
| UNLESS OTHERWISE SPECIFIED DIMENSIONS ARE IN INCHES. TOLERANCES ON: DECIMALS ± .005 ANGLES ± 0°30' | CONTRACT NO | AMP AMP INCORPORATED Harrisburg, Pa. 17105 | | |
| | DR A. Mayer 12-21-83 | | | |
| | MATERIAL FLAME RETARDANT THERMOPLASTIC, COLOR: BLACK | CHK Paul S. Hammett 12-22-83 | NAME HOUSING, MOD I, DBL. ROW, .156 X .300 E, 6 POS., WITH POLARIZING BARS & LATCH | |
| | FINISH | APPD Paul S. Hammett 12-22-83 | APPD Paul S. Hammett 12-22-83 | |
| | DSGN APPD | SIZE C | FSCM NO 00779 | DRAWING NO 103366 |
| | OTHER APPD | SCALE | | SHEET 1 OF 1 |

CUSTOMER DRAWING

单击下面可查看定价，库存，交付和生命周期等信息

[>>TE Connectivity\(泰科\)](#)