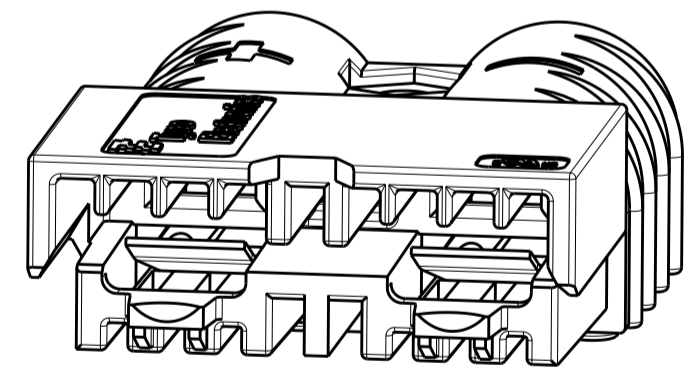
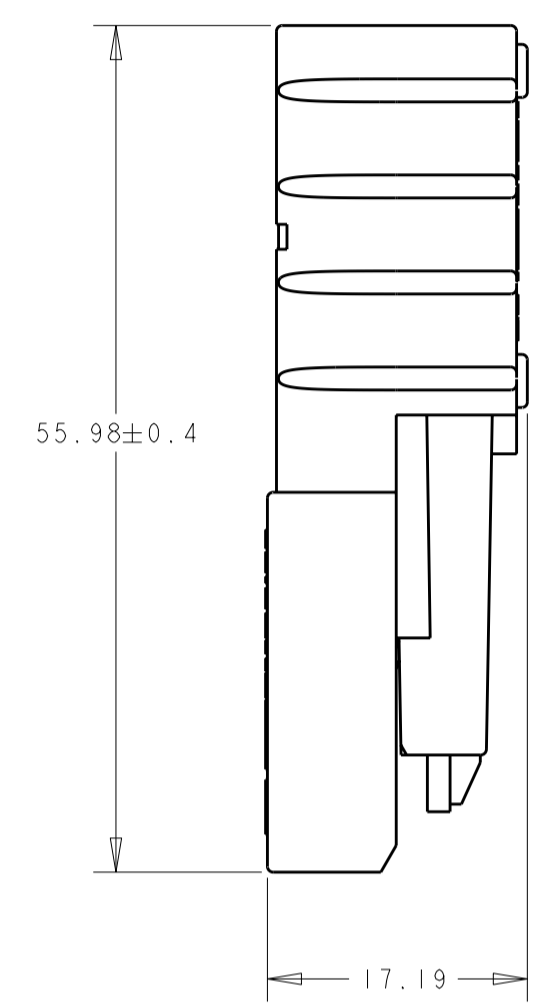
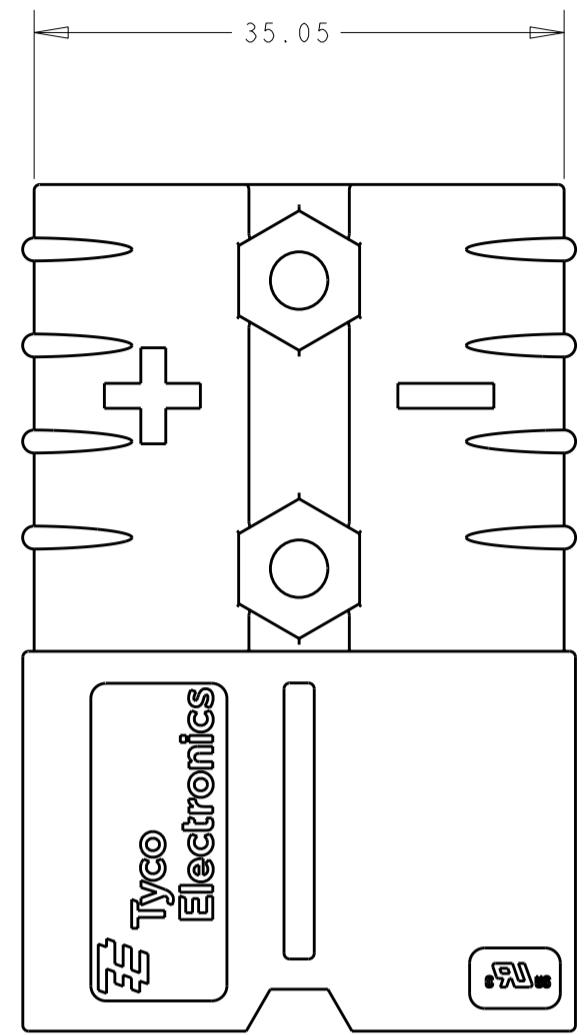
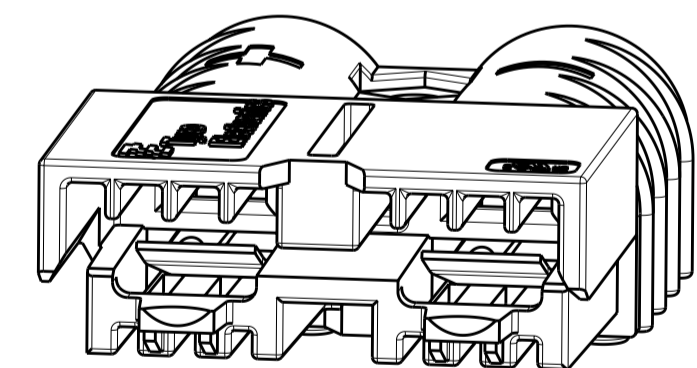


THIS DRAWING IS UNPUBLISHED. RELEASED FOR PUBLICATION 20
 © COPYRIGHT 20 BY TYCO ELECTRONICS CORPORATION. ALL RIGHTS RESERVED.

LOC	DIST	REVISIONS					
CM	00	P	LTR	DESCRIPTION	DATE	DWN	APVD
			01	REVISED PER PER ECR-10-010379	24MAY2010	HMR	JR



1604342-1



1604342-2

WHITE	1604342-2
BROWN	1604342-1
COLOR	PART NUMBER

THIS PRODUCT HAS PASSED VERIFICATION AND AGENCY APPROVALS TESTING AND IS COMPONENT RECOGNIZED PER UL 1977 AND CSA 22.2. TYCO ELECTRONICS PRODUCT QUALIFICATION TESTING IS NOT YET COMPLETE.



THIS DRAWING IS A CONTROLLED DOCUMENT FOR TYCO ELECTRONICS CORPORATION. IT IS SUBJECT TO CHANGE AND THE CONTROLLING ENGINEERING ORGANIZATION SHOULD BE CONTACTED FOR THE LATEST REVISION.		DWN B. HAYMAKER 04 JUN 2002	Tyco Electronics Harrisburg, PA 17105-3608	
DIMENSIONS: mm		CHK R. WALTER 04 JUN 2002	NAME ASSEMBLY, 50 SERIES POWER CONNECTOR, FINGER PROOF	
TOLERANCES UNLESS OTHERWISE SPECIFIED: 0 PLC ± 1 PLC ± 2 PLC ±0.13 3 PLC ± 4 PLC ± ANGLES ± FINISH		APVD R. WALTER 04 JUN 2002	PRODUCT SPEC - APPLICATION SPEC - WEIGHT -	
MATERIAL -		CUSTOMER DRAWING	SIZE A2	CAGE CODE 00779
		SCALE 2:1	DRAWING NO 1604342	RESTRICTED TO -
		SHEET 1 OF 1		REV 01

单击下面可查看定价，库存，交付和生命周期等信息

[>>TE Connectivity\(泰科\)](#)