



86

Uncompensated

SPECIFICATIONS

- 316L SS Pressure Sensor
- Small Profile
- 0 - 100mV Output
- Absolute and Gage

The 86 uncompensated is a small profile, media compatible, piezoresistive silicon pressure sensor packaged in a 316L stainless steel housing. The 86 uncompensated is designed for O-ring mounting and OEM applications where compatibility with corrosive media is required.

The sensing package utilizes silicon oil to transfer pressure from the 316L stainless steel diaphragm to the sensing element.

Please refer to the 86 compensated and constant voltage datasheets for more information on different features of the 86.

FEATUIRES

- -40°C to +125°C Operating Temperature Range
- ±0.2% Pressure Non Linearity
- Solid State Reliability
- O-Ring Mount

APPLICATIONS

- Medical Instruments
- Process Control
- Fresh & Waste Water Measurements
- Partial Vacuum Gas Measurement
- Pressure Transmitters
- Tank Level Systems (RV & Industrial)

CLICK HERE ›
CONNECT WITH A SPECIALIST

PERFORMANCE SPECIFICATIONS

Unless otherwise specified, Supply Current: 1.5 mA; Ambient Temperature: 25°C

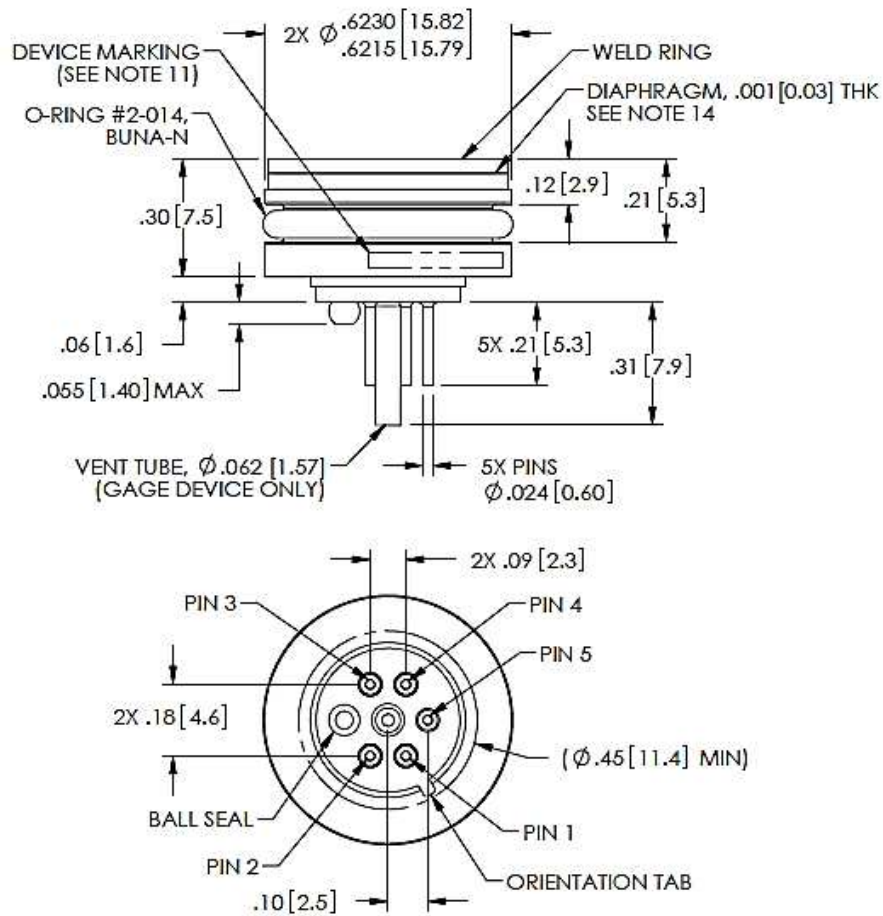
PARAMETERS	005PSIA			005PSIG & ≥15PSI			UNITS	NOTES
	MIN	TYP	MAX	MIN	TYP	MAX		
Sensitivity	12	15	18	12	-	27	mV/V@Span	
Zero Pressure Output	-10	-	10	-6.0	-	8.0	mV/V	1
Pressure Non Linearity	-0.2	-	0.2	-0.1	-	0.1	%Span	2,3
Pressure Hysteresis	-0.10	-	0.10	-0.05	-	0.05	%Span	3
Repeatability	-	±0.02	-	-	±0.02	-	%Span	
Bridge Resistance	4.0K	5.0K	6.0K	3.8K	-	5.8K	Ω	4
Thermal Hysteresis – Span	-0.25	±0.05	0.25	-0.25	±0.05	0.25	%Span	5
Thermal Hysteresis – Offset	-0.25	±0.05	0.25	-0.25	±0.05	0.25	%Span	5
Temp. Coefficient – Resistance	-	2.4K	-	1.30K	1.51K	1.75K	PPM/°C	5
Temp. Coefficient – Span	-	-2.0K	-	-1.65K	-1.25K	-1.0K	PPM/°C	5
Temp. Coefficient – Offset	-80	-	80	-30	-	30	μV/V/°C	3,5
Long Term Stability – Span	-	±0.10	-	-	±0.10	-	%Span/Year	
Long Term Stability – Offset	-	±0.25	-	-	±0.10	-	%Span/Year	3
Supply Current	0.5	1.5	2.0	0.5	1.5	2.0	mA	
Supply Voltage	-	5	9.5	-	5	9.5	V	
Output Noise (10Hz to 1KHz)	-	1.0	-	-	1.0	-	μV p-p	
Response Time (10% to 90%)	-	0.1	-	-	0.1	-	ms	
Insulation Resistance (50V _{DC})	50M	-	-	50M	-	-	Ω	6
Pressure Overload	-	-	3X	-	-	3X	Rated	7
Pressure Burst	-	-	4X	-	-	4X	Rated	8
Operating Temperature	-40	-	125	-40	-	125	°C	
Storage Temperature	-50	-	125	-50	-	125	°C	
Media – Pressure Port	Liquids and Gases compatible with 316/316L Stainless Steel							

Notes

- Measured at vacuum for absolute (A) and at ambient for gage (G).
- Best fit straight line.
- Values for 5PSIG devices are as follows:
Non-linearity: ±0.2% max
Temp coefficient (span): -80 min, 80 max
Long term stability (offset): ±0.25 TYP
Pressure Hysteresis: -0.10 min, +0.10 max.
- Bridge resistance is measured with both –E pins shorted together.
- TC values are first order coefficients to a quadratic fit over a temperature range of -20 to +85°C (0 to +50°C for 5psi).
- Between case and sensing element.
- The maximum pressure that can be applied to a transducer without rupture of either the sensing element or transducer.
- The maximum pressure that can be applied without changing the transducer's performance or accuracy
- Standard gage units are not recommended for vacuum applications.
- Testing:
10.1 Units are not tested over temperature or pressure.
10.2 A final test is performed @ 1.5mA and room temperature for part functionality.
10.3 All units are subjected to 100% drift test.
- Marking:
Part marked with model number, pressure range, type ('A' for absolute, 'G' for gage), lot number, serial number and date code.
- Shipping and Packaging:
The stainless steel diaphragm is protected by a static dissipative cap (No fitting options only). Each unit will be packaged individually in a plastic vial with anti-static foam.
- Product description:
Model 85-XXXX-XU(T) is a uncompensated micro machined piezoresistive silicon pressure sensor
- Direct mechanical contact with diaphragm is prohibited. Diaphragm surface must remain free of defects (scratches, punctures, dents, fingerprints, etc.) for device to operate properly. Caution is advised when handling parts with exposed diaphragms. Use protective cap whenever devices are not in use.

DIMENSIONS

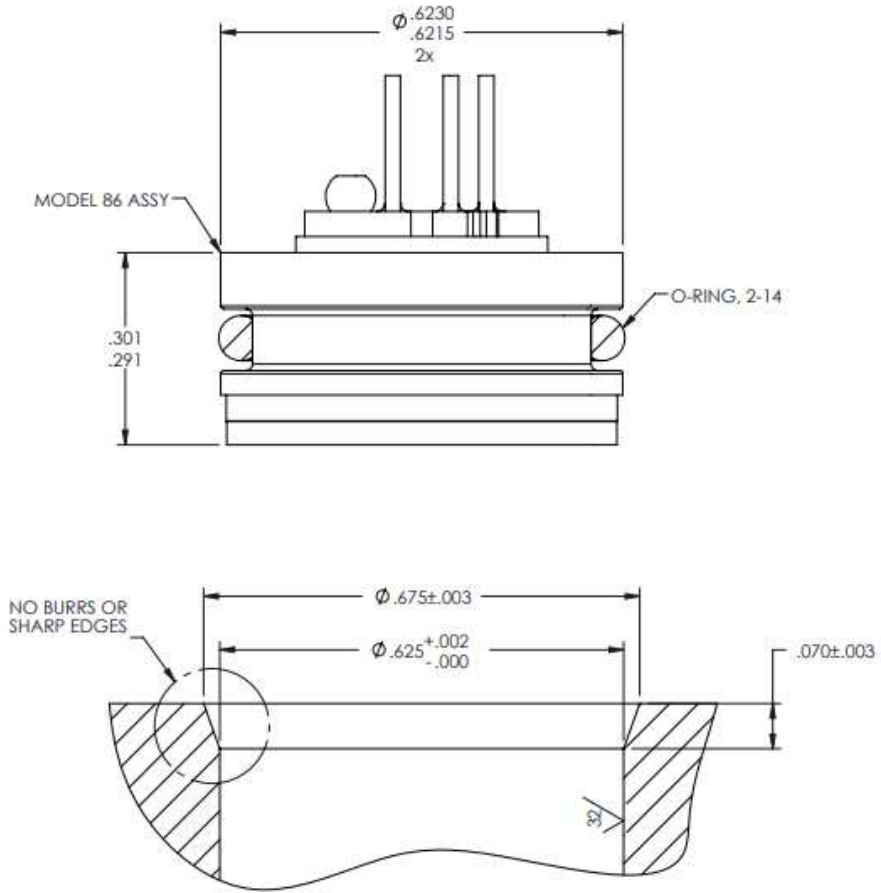
Dimensions are in inches [mm]



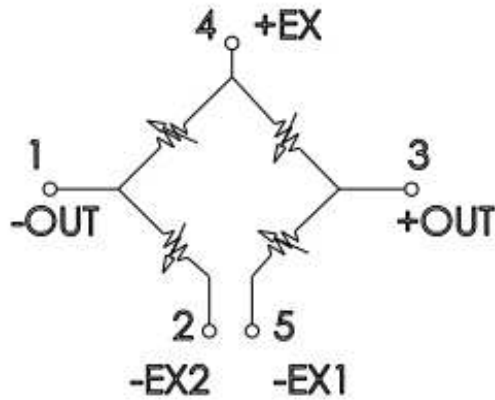
Sensor Pinout

Pin No.	Function
1	-OUT
2	-EX2
3	+OUT
4	+EX
5	-EX1

RECOMMENDED MOUNTING DIMENSIONS



CONNECTIONS



APPLICATION SCHEMATIC

ORDERING INFORMATION

Part Number
86 – 030 G – U T

Pressure Range [psi]	
005	
015	
030	
050	
100	
300	
500	

Pressure Type	
G	Gage
A	Absolute

Vent	
T	Tube
[Blank]	No Tube

Electrical	
U	Open Bridge, Uncomp

CLICK HERE >
CONNECT WITH A SPECIALIST

NORTH AMERICA
Tel +1 800 522 6752

EUROPE
Tel +31 73 624 6999

ASIA
Tel +86 0400 820 6015

te.com/sensors

TE Connectivity, TE, TE Connectivity (logo) and Every Connection Counts are trademarks. All other logos, products and/or company names referred to herein might be trademarks of their respective owners

The information given herein, including drawings, illustrations and schematics which are intended for illustration purposes only, is believed to be reliable. However, TE Connectivity makes no warranties as to its accuracy or completeness and disclaims any liability in connection with its use. TE Connectivity's obligations shall only be as set forth in TE Connectivity's Standard Terms and Conditions of Sale for this product and in no case will TE Connectivity be liable for any incidental, indirect or consequential damages arising out of the sale, resale, use or misuse of the product. Users of TE Connectivity products should make their own evaluation to determine the suitability of each such product for the specific application.

© 2021 TE Connectivity Corporation. All Rights Reserved.

Version A7 02/2021



单击下面可查看定价，库存，交付和生命周期等信息

[>>TE Connectivity\(泰科\)](#)