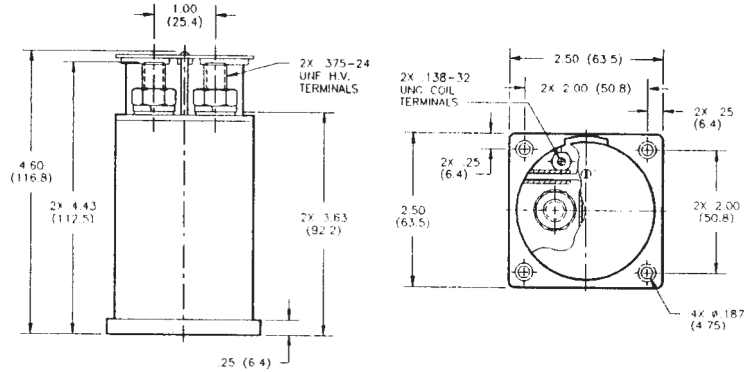


AP150X (Form X, Electrically Held)

CZONKA Contactor

Product Facts

- 150 A carry, 500 A overload @ 270 Vdc
- Suitable for circuit protection, control, and battery switching
- Versatile power, voltage, and current operating range
- Bi-directional switching
- Electrically held and latching coil versions
- Fast operate and release time
- Low power consumption
- Vacuum-sealed contacts; can operate in harsh environments
- Space-rated version built in accordance with customers SCD
- Meets many requirements of MIL-PRF-32085

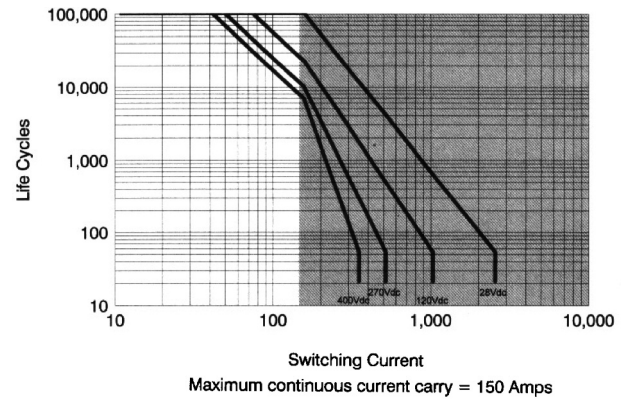


Product Specifications

- Contact Arrangement** — AP150X — SPST-NO
- Contact Form** — AP150X — X
- Rated Resistive Load @ 270 Vdc** — 150 A
- Continuous Current Carry, Max.** — 150 A
- Overload Make & Break @ 270 Vdc** — 400/500 A*
- Contact Resistance, Max.** — 1 mohm
- Dielectric at Sea Level** — Power Terminals to Terminal — 2,000 Vrms; Power Terminals to All Other Points — 1,800 Vrms
- Shock, 11ms, 1/2 Sine (Peak)** — 35 g
- Vibration, Sinusoidal (55-2000 Hz, Peak)** — 20 g
- Operating Ambient Temperature Range** — -55°C to +85°C
- Load Life @ 270 Vdc, Min.** — 10,000 cycles
- Operate Time (28 Vdc, 25°C)** —
- Close (Includes Bounce), Typ.** — AP150X — 35 ms
- Bounce (After Close Only), Max.** — AP150X — 8 ms
- Open (Includes Arcing), Max.** — AP150X — 10 ms
- Insulation Resistance @ 500 Vdc, Min.** — Initial/End of Life — 100 mohm/50 mohm
- Weight, Nominal** — 1.66 lb (0.753 kg)

Note:
*500 = at beginning of life which is 0 to 5,000 cycles, 400 = at end of life which is 5,000 to 10,000 cycles.

Contact Ratings*



*Based on data extrapolated from qualification at 270 Vdc with resistive load. Since each application is unique, user is encouraged to verify rating in actual application.

Coil Data

	AP150X	AP150P
Voltage, Nominal*	28 Vdc	28 Vdc
Pickup (Close), Max.	23 Vdc	20 Vdc
Dropout (Open), Max.	1.0 Vdc	20 Vdc
Coil Resistance @ 25°C (10%)	52 Ω	13 Ω**
Coil Duty, Recommended	Continuous	100 ms to Toggle
Coil Energy, Max.	0.10 J	0.10 J
Coil Clamping	2.5 x nom.	500W/ms TVS

*12, 120 Vdc, or other special coil voltages available upon request.

**2 coils are used, both are high common. Switch coil power from low side. High side coil power switch is a special order.

Ordering Information

Sample Part Number ▶

Series: AP150 X B 5 7
Contact Form: _____
X = SPST-NO Electrically Held

Coil Voltage: _____
A = 12 Vdc, Stud Terminals, .138-32
B = 28 Vdc, Stud Terminals, .138-32
C = 120 Vdc, Stud Terminals, .138-32

Power Terminals: _____
5 = Stud Terminals, .375-24

Mounting: _____
7 = Panel Mount

For factory-direct application assistance, dial 800-253-4560, ext. 2055, or 805-220-2055.

单击下面可查看定价，库存，交付和生命周期等信息

[>>TE Connectivity\(泰科\)](#)