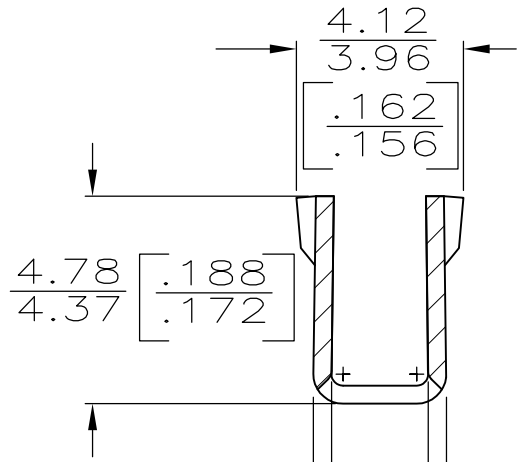
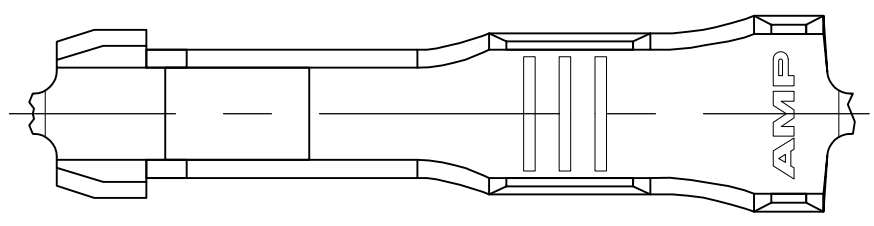
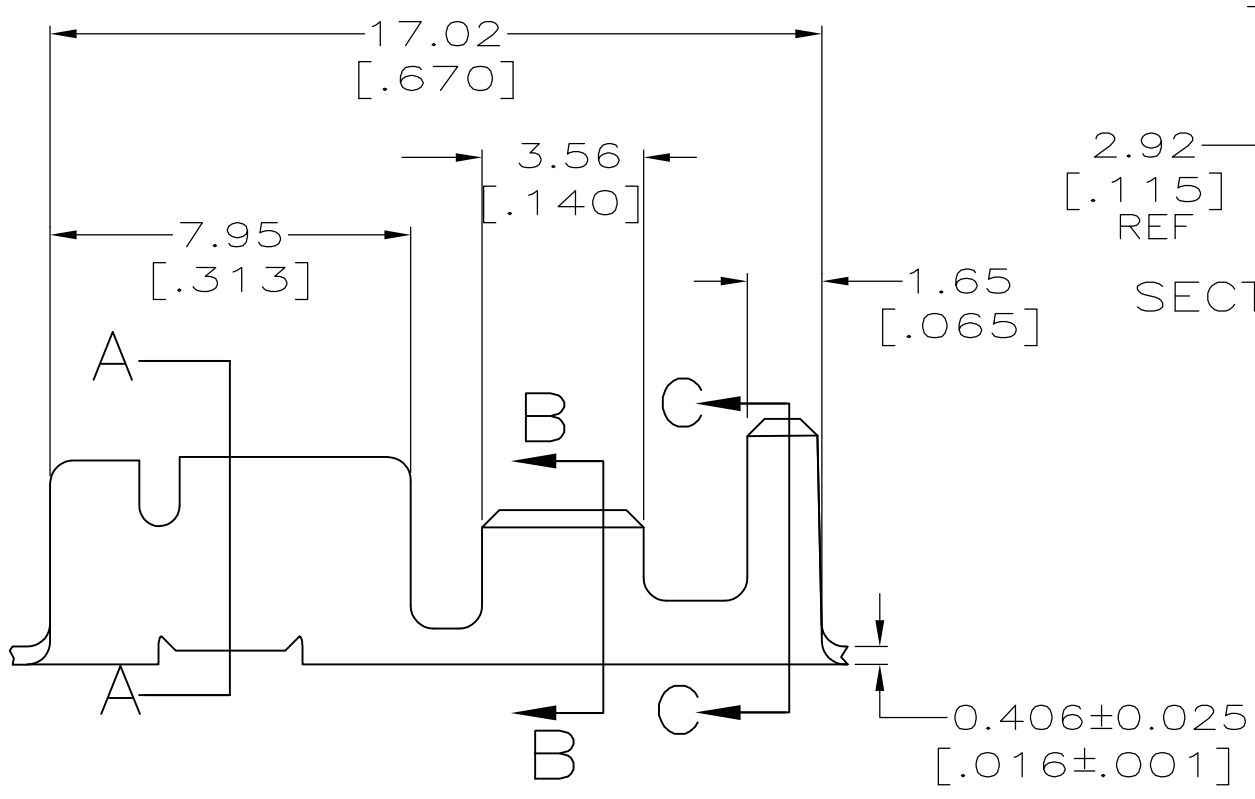


THIS DRAWING IS UNPUBLISHED. RELEASED FOR PUBLICATION
 © COPYRIGHT - By - ALL RIGHTS RESERVED.

REVISIONS					
P	LTR	DESCRIPTION	DATE	DWN	APVD
	A1	RELEASED AS PER ECR-17-004420	28MAR2017	MKD	PKS

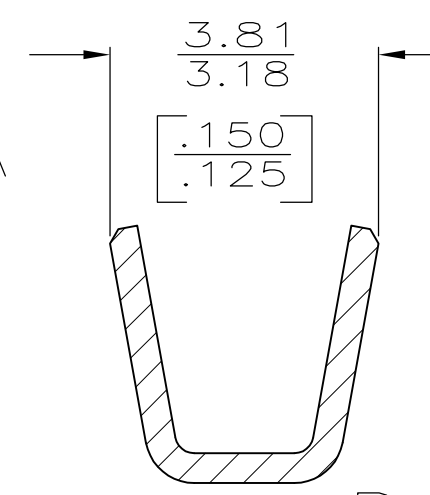


- 1 CONTINUOUS STRIP ON REEL.
- 2 WIRE SIZE IS 18-14 AWG
- 3 INSULATION RANGE IS 2.03-3.81 [.080-.150] DIA.
- △ 4 0.002032 [.000080] MIN TIN PL
- △ 5 PACKAGING QUANTITY IN REEL. 15000 PCS/REEL

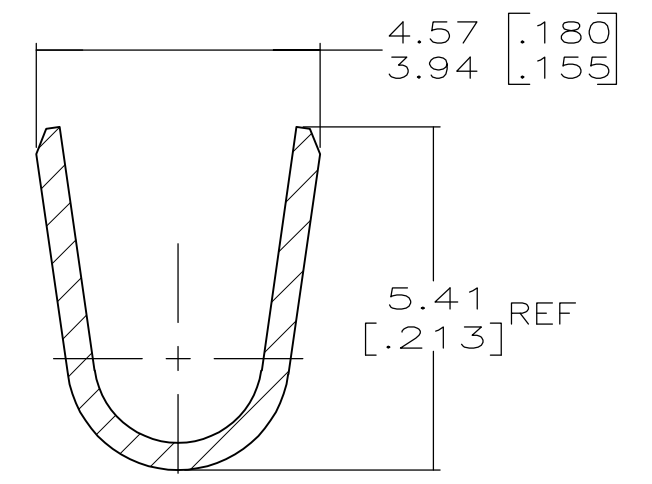


2.21 [.087] NO GO
 1.91 [.075] GO

SECTION A-A



SECTION B-B
 SCALE 10:1



SECTION C-C
 SCALE 10:1

H03 PHOS BRONZE	△ 4	△ 5 2825313-1
MATERIAL	FINISH	PART NO

THIS DRAWING IS A CONTROLLED DOCUMENT.	
DIMENSIONS: INCHES	TOLERANCES UNLESS OTHERWISE SPECIFIED:
	0 PLC ± -
	1 PLC ± -
	2 PLC ± 0.25 [.010]
	3 PLC ± -
	4 PLC ± -
ANGLES ± -	± -
MATERIAL SEE TABLE	FINISH SEE TABLE

DWN DHANESH 02DEC2015	 TE Connectivity	RECEPACLE, CLUSTER PIN, 2.29 [.090] DIA
CHK DHANESH 02DEC2015		
APVD RAJENDRA 02DEC2015		
PRODUCT SPEC 108-2008		
APPLICATION SPEC 114-2019	NAME	RESTRICTED TO
WEIGHT 0	SIZE A3	CAGE CODE -
CUSTOMER DRAWING	DRAWING NO C-2825313	SCALE 6:1
	SHEET 1 OF 1	REV A1

单击下面可查看定价，库存，交付和生命周期等信息

[>>TE Connectivity\(泰科\)](#)