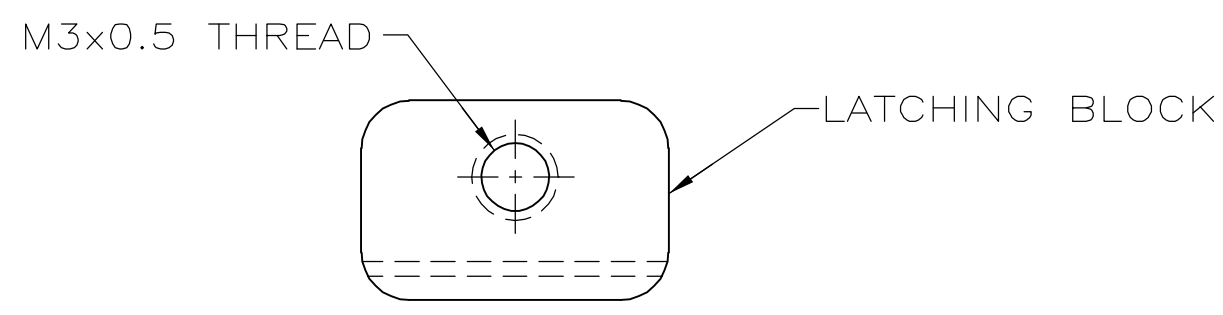
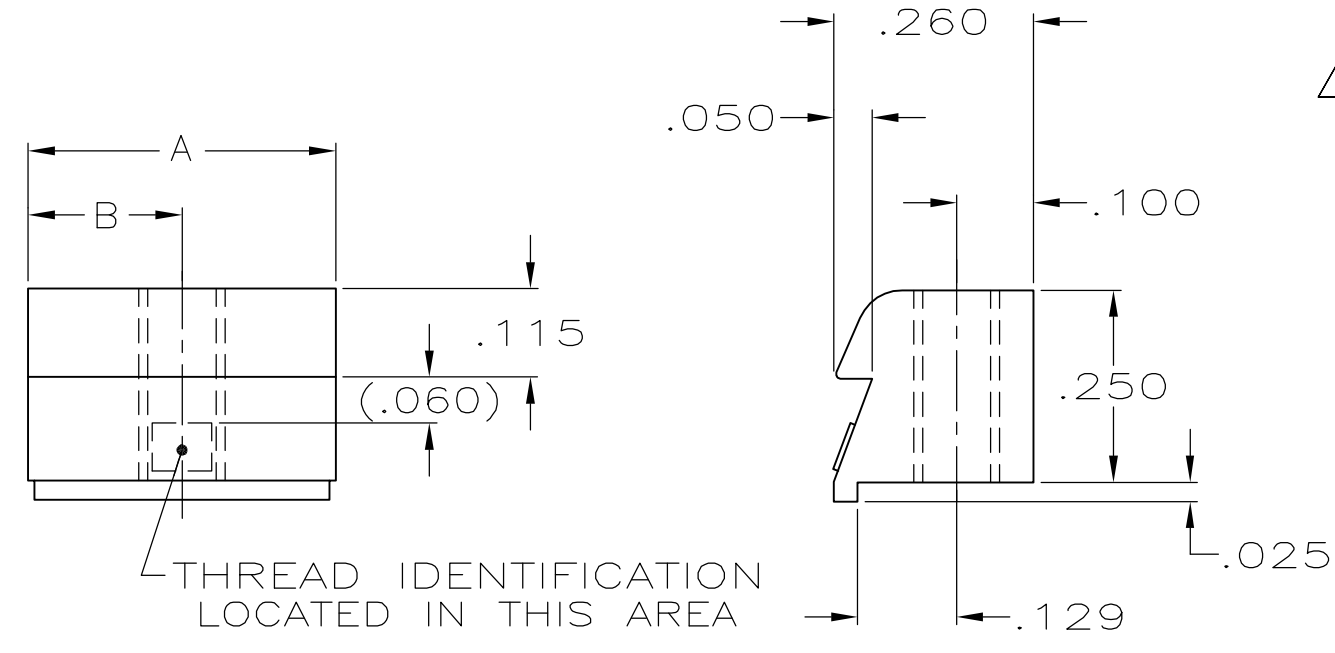


THIS DRAWING IS UNPUBLISHED. RELEASED FOR PUBLICATION
 © COPYRIGHT 2006 BY TYCO ELECTRONICS CORPORATION. ALL RIGHTS RESERVED.

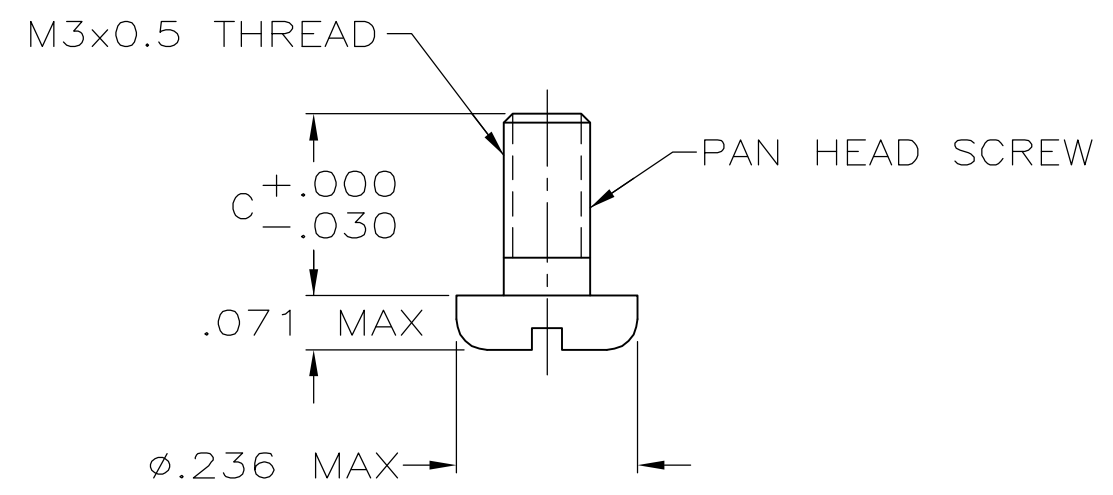
LOC	DIST	REVISIONS					
GP	00	P	LTR	DESCRIPTION	DATE	DWN	APVD
			A	REVISED PER EC 0S13-0389-05	09MAR06	JG	JG



- 1. PARTS PACKAGED UNASSEMBLED, 1 KIT PER BAG. EACH KIT CONTAINS 2 OF EACH COMPONENT.
- 2. LATCHING BLOCK: ZINC ALLOY. SCREW: COLD ROLLED STEEL.
- 3. SCREW: ZINC PLATED .000200-.000400 THICK, CLEAR CHROMATE COATING.



THREAD IDENTIFICATION LOCATED IN THIS AREA



.236	.200	.400	5745007-1
C	B	A	PART NUMBER

THIS DRAWING IS A CONTROLLED DOCUMENT.		DWN J.GERACE 01MAR06	Tyco Electronics Corporation Harrisburg, PA 17105-3608	
DIMENSIONS: INCHES		CHK C.ROHDE 01MAR06		
TOLERANCES UNLESS OTHERWISE SPECIFIED:		APVD M.WALMSLEY 01MAR06	NAME LATCHING BLOCK KIT, RS 449 TYPE, AMPLIMITE	
0 PLC ± - 1 PLC ± - 2 PLC ± - 3 PLC ± .010 4 PLC ± - ANGLES ± -		PRODUCT SPEC -	APPLICATION SPEC -	
MATERIAL		WEIGHT -	SIZE A3	CAGE CODE 00779
FINISH		DRAWING NO C=5745007		RESTRICTED TO -
		CUSTOMER DRAWING		SCALE 4:1
		SHEET 1 OF 1		REV A

单击下面可查看定价，库存，交付和生命周期等信息

[>>TE Connectivity\(泰科\)](#)