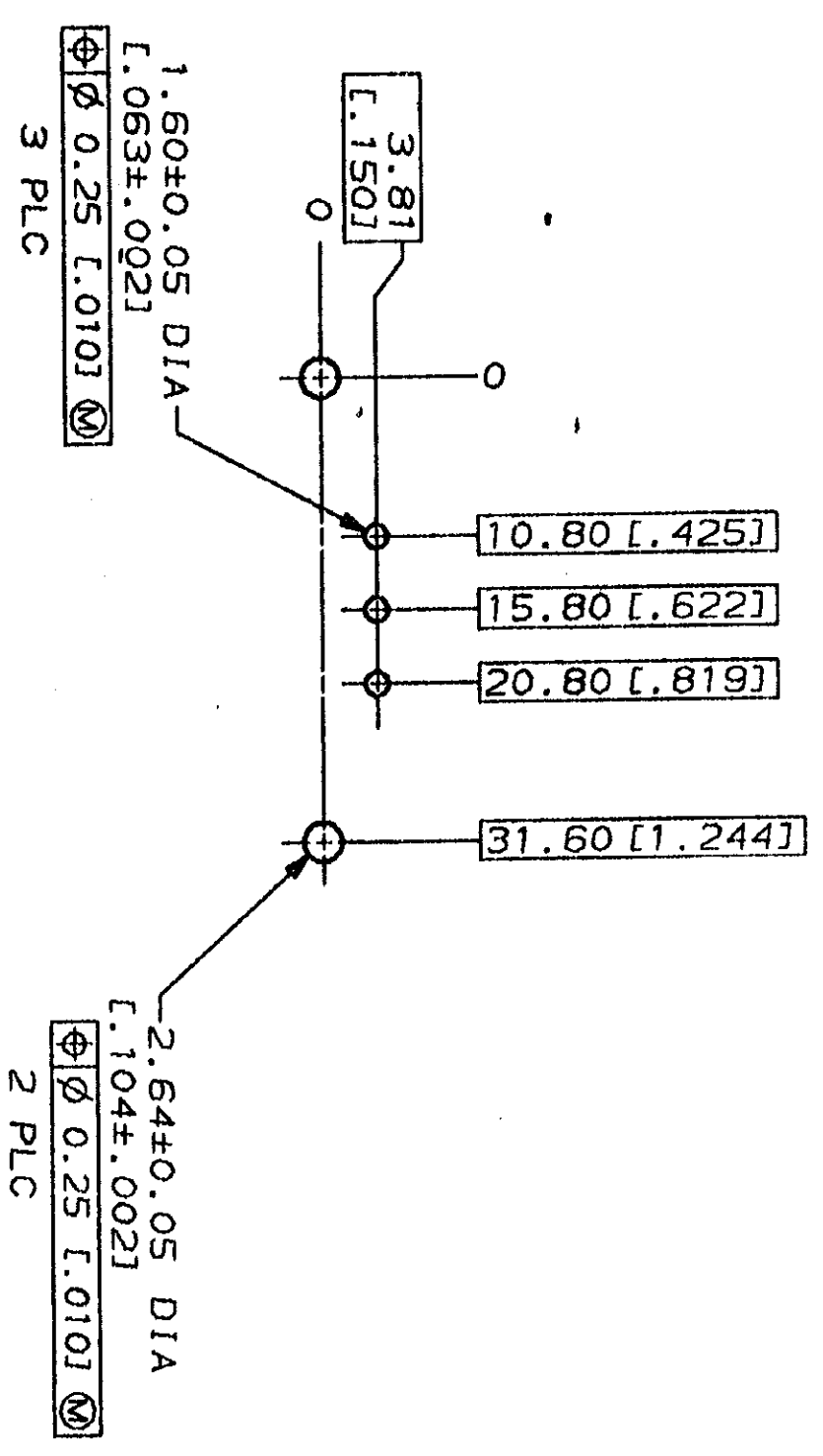
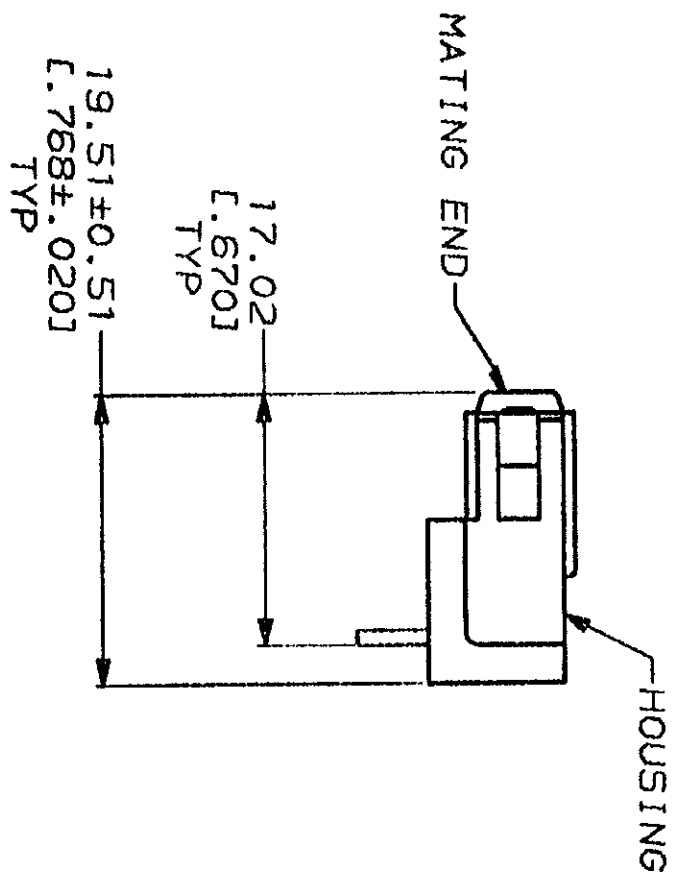
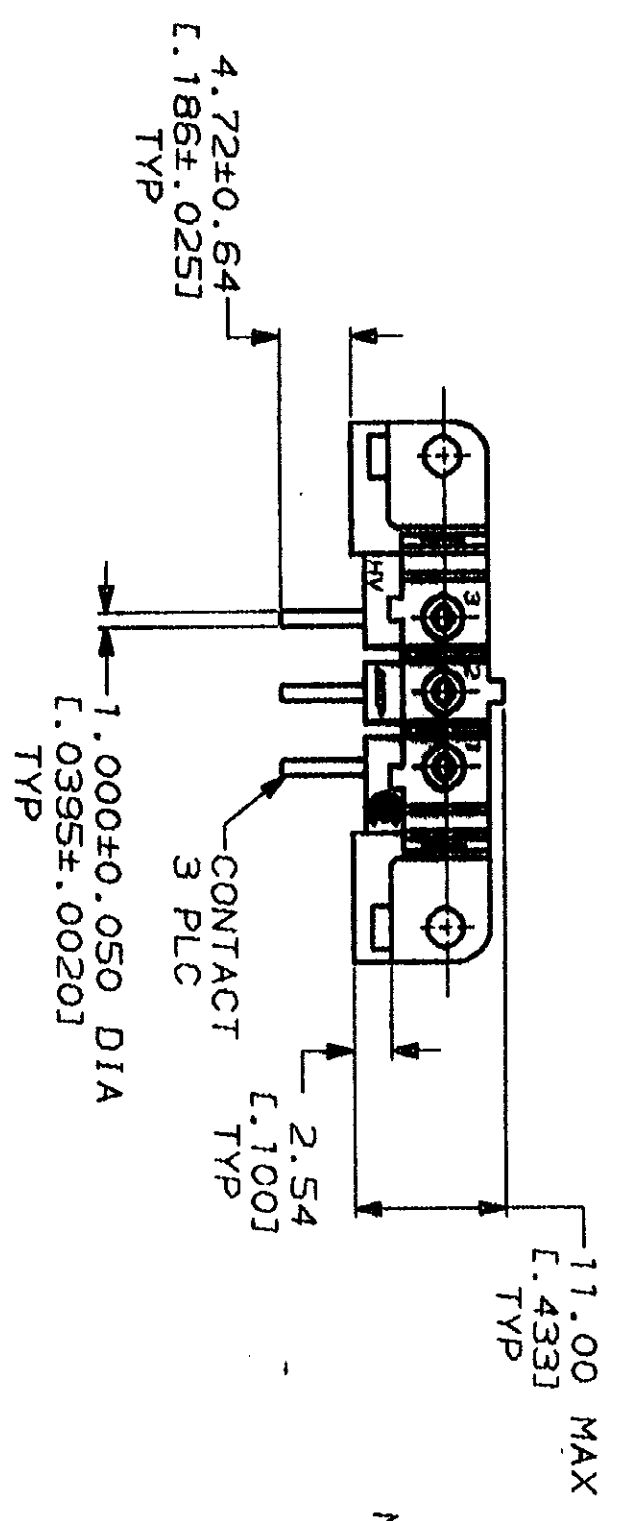
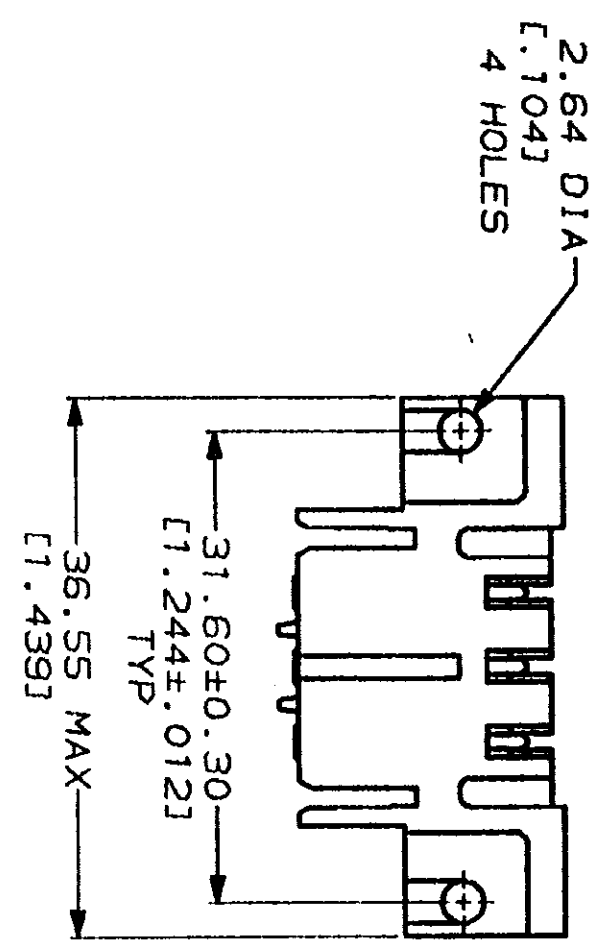


REV	LOC	QTY	ZONE	LTR	DESCRIPTION	DATE	APPD
1	BD	37		6	REV 8 REDRAWN PER ECN 806505	08/05/92	-



RECOMMENDED PC BOARD LAYOUT

- △ 3.81µm [L.000150] MIN TIN-LEAD OVER 0.76µm [L.000030] MIN NICKEL.
- △ 0.76µm [L.000030] MIN GOLD FOR A LENGTH OF 5.08 [L.200] MIN FROM MATING END, 3.81µm [L.000150] MIN TIN-LEAD FOR A LENGTH OF 5.23 [L.206] MIN FROM OPPOSITE END, BOTH OVER 1.27µm [L.000050] MIN NICKEL.

DO NOT SCALE PRINT. UNLESS SPECIFIED (DIMENSIONS IN mm (INCHES)) DIMENSIONS IN mm (INCHES) TOLERANCES ON: 1 PLG DEC ± 0.25 [L.010] 2 PLG DEC ± 0.25 [L.010] 3 PLG DEC ± 0.25 [L.010] ANGLES ±		DR 08/05/92 L.SIPE	NAME	207608-3
MATERIAL HOUSING: NYLON, RED CONTACTS: PH BRZ	APPD 8-11-92 J.McCLINTON	APPD 8-12-92 A. TRAVIS	CONTACT FINISH	207608-1
CONTACTS: SEE TABLE	APPD 8-12-92 C. RICHIE	PRODUCT SPEC 108-10033	FINISH	PART NO
	APPLICATION SPEC	SIZE CAGE CODE 00779	DRAWING NO C-207608	
		HEIGHT SCALE 2:1	SHEET 1 OF 1	

AMP AMP Incorporated
 Harrisburg, PA 17105-2600

SOCKET HEADER ASSEMBLY, 3 POSN,
 IN-LINE, METRIMATE

THIS DRAWING IS A CONTROLLED DOCUMENT AND THE INFORMATION CONTAINED HEREIN IS UNCLASSIFIED UNLESS INDICATED OTHERWISE. ANY REVISIONS TO THIS DRAWING SHALL BE CONDUCTED FOR THE LATEST REVISION.

CUSTOMER DRAWING

单击下面可查看定价，库存，交付和生命周期等信息

[>>TE Connectivity\(泰科\)](#)