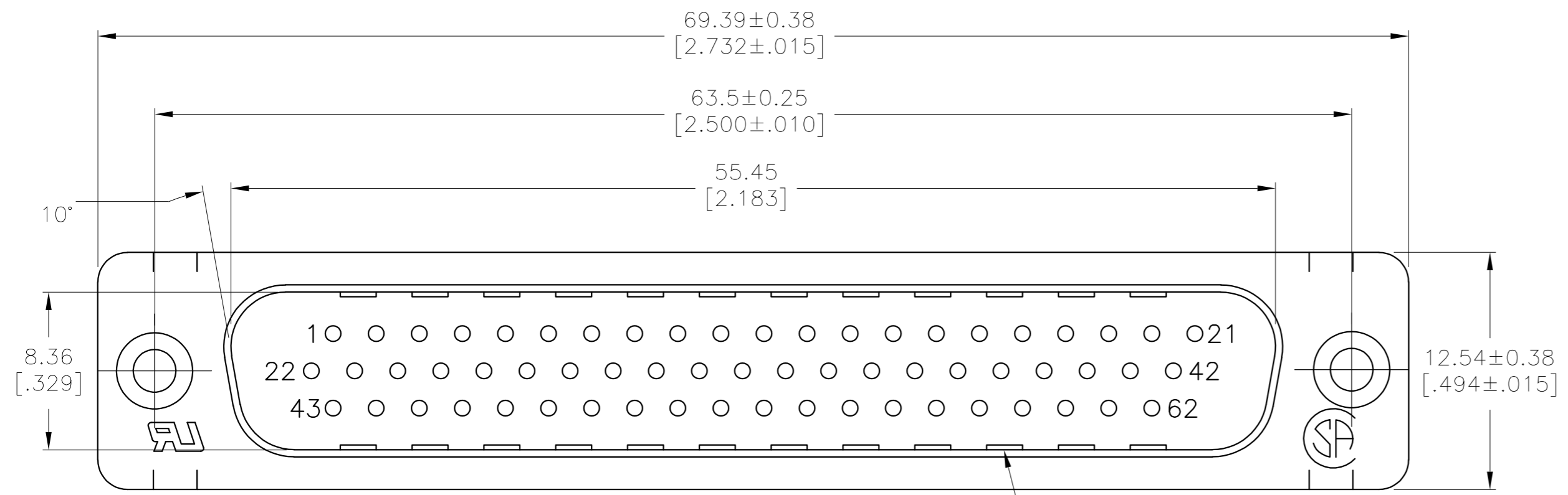
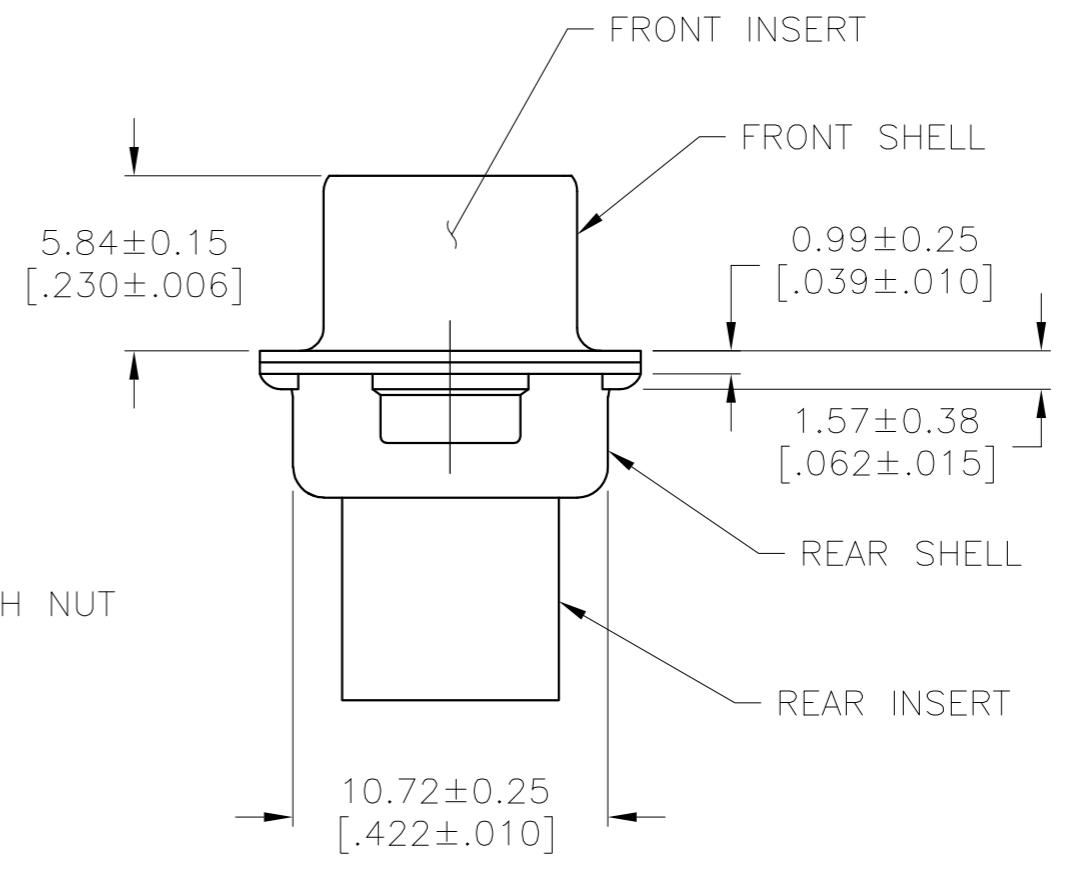
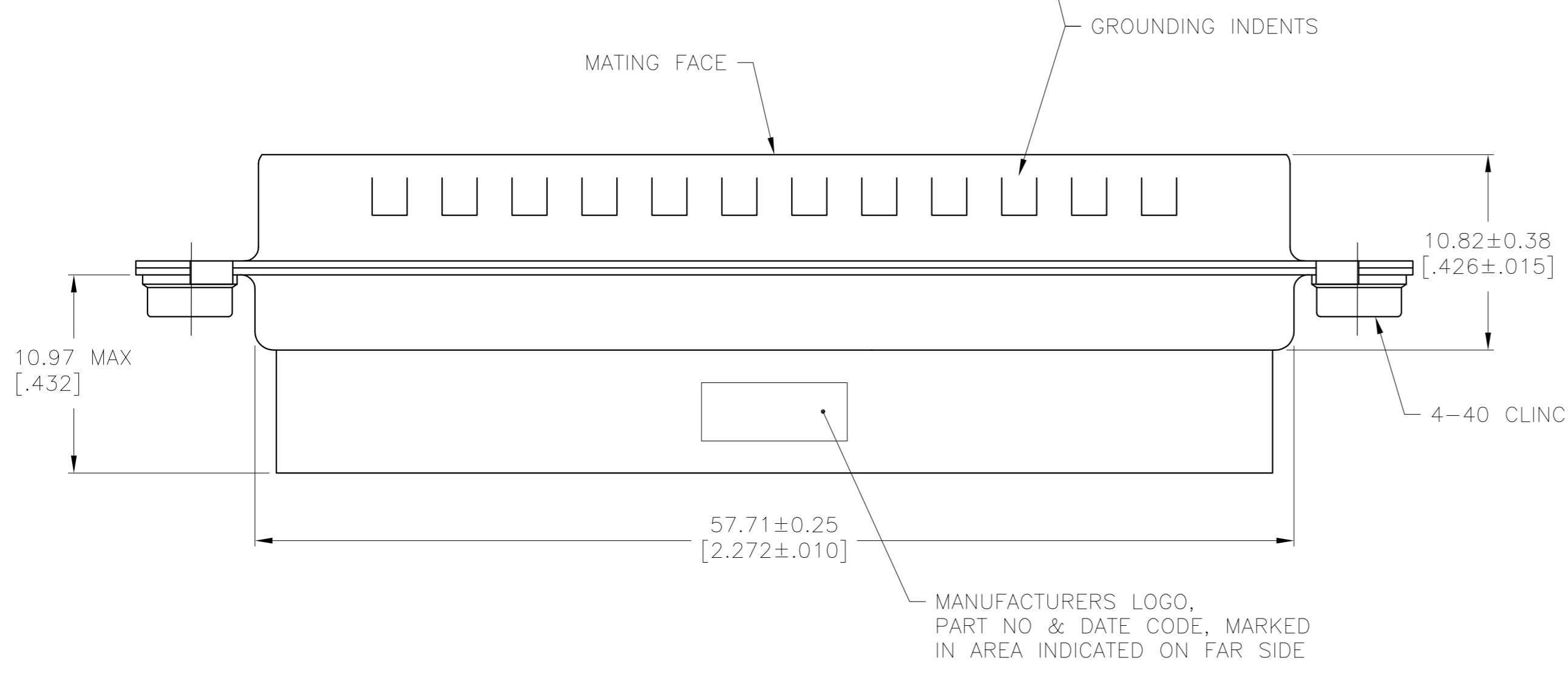


THIS DRAWING IS UNPUBLISHED. RELEASED FOR PUBLICATION
 © COPYRIGHT - By - ALL RIGHTS RESERVED.

LOC		DIST		REVISIONS			
P	LTR	DESCRIPTION		DATE	DWN	APVD	
GP	00	A	REVISED PER ECO-11-002006	14APR2011	CJV	CWR	



- △ INSERTS: GLASS FILLED NYLON, UL 94V-0 RATED, COLOR BLACK.
SHELLS: CARBON STEEL PER ASTM A109.
CLINCH NUTS: CARBON STEEL PER ASTM A108.
- △ SHELLS: 0.00508 [.000200] MIN TIN OVER 0.00254 [.000100] MIN COPPER.
CLINCH NUTS: CLEAR CHROMATE OVER ZINC.
- 3. CONNECTOR ACCEPTS SIZE 22 DF PIN CONTACTS. RETENTION TINES ARE AN INTEGRAL PART OF INSERT.



6658293-1
PART NUMBER

**COPYRIGHT 2005
 TYCO ELECTRONICS CORP
 ALL RIGHTS RESERVED**

THIS DRAWING IS A CONTROLLED DOCUMENT.		DWN	11-12-04		TE Connectivity		
DIMENSIONS: mm [INCHES]		CHK	11-12-04		NAME		
TOLERANCES UNLESS OTHERWISE SPECIFIED:		APVD	11-12-04		PLUG CONNECTOR, SIZE 4, 62 POS, 4-40 CLINCH NUTS, AMPLIMITE HDP-22		
0 PLC ± -		PRODUCT SPEC			SIZE	CAGE CODE	DRAWING NO
1 PLC ± -		APPLICATION SPEC		A2	00779	C=6658293	
2 PLC ± 0.13[.005]				SCALE	SHEET	REV	
3 PLC ± -				4:1	1 of 1	A	
4 PLC ± -				CUSTOMER DRAWING			
ANGLES ± -							
MATERIAL	FINISH	WEIGHT					
△1	△2	-					

单击下面可查看定价，库存，交付和生命周期等信息

[>>TE Connectivity\(泰科\)](#)