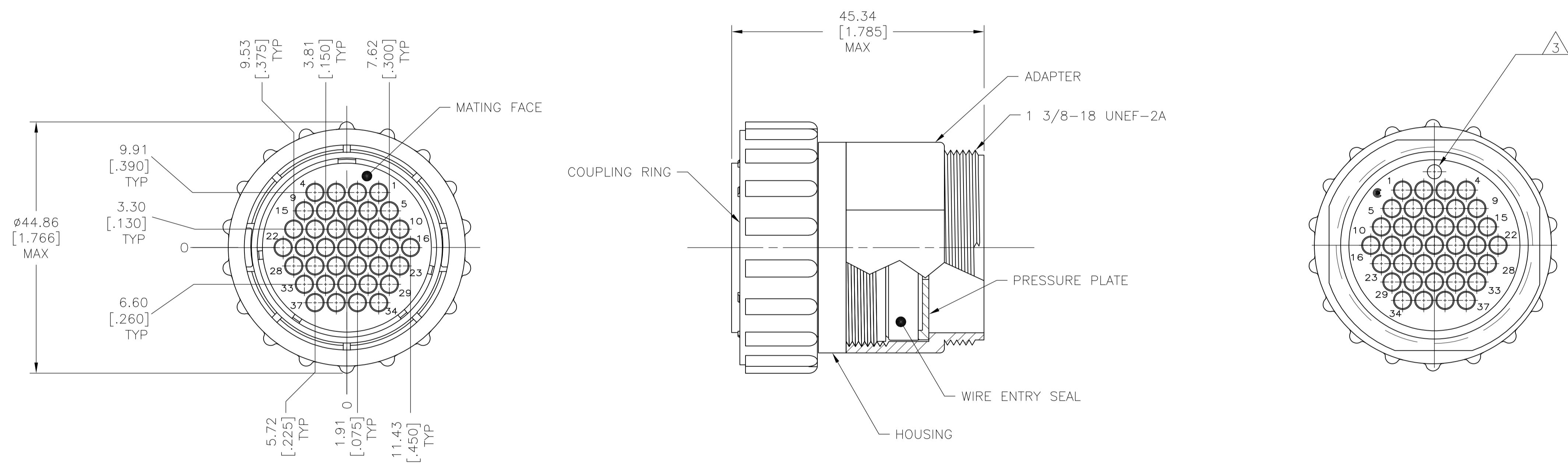


LOC		DIST		REVISIONS			
P	LTR	DESCRIPTION	DATE	DNW	APVD		
A		NEW DRAWING PER ECO-12-018480	26OCT12	KH	MZ		

- 1 COUPLING RING: POLYPHENYLENE, BLACK.
 ADAPTER, HOUSING AND PRESSURE PLATE: NYLON, BLACK.
 WIRE ENTRY SEAL: ELASTOMER, RED-IRON OXIDE.
- 2 CONNECTOR WILL ACCEPT (37) MULTIMATE SOCKET CONTACTS.
- 3 ORIENTATION HOLE USED IN THE MANUFACTURING PROCESS ONLY.
 THIS HOLE IS NOT INTENDED FOR WIRE INSERTION.



1977887-1
 PART NUMBER

THIS DRAWING IS A CONTROLLED DOCUMENT.		DWN KIRAN HOLAL 26OCT12	STE TE Connectivity	
DIMENSIONS: mm [INCHES]		CHK ZITTO MARK 26OCT12	NAME CPC PLUG ASSEMBLY, SERIES 1, SEALED, 23-37, STANDARD SEX, UV RESISTANT	
TOLERANCES UNLESS OTHERWISE SPECIFIED:		APVD ZITTO MARK 26OCT12	PRODUCT SPEC 108-1579	
0 PLC ± -		APPLICATION SPEC		
1 PLC ± -		SIZE A1		
2 PLC ± 0.13[.005]		CAGE CODE 00779		
3 PLC ± -		DRAWING NO 1977887		
4 PLC ± -		RESTRICTED TO		
ANGLES ± -		WEIGHT		
MATERIAL		CUSTOMER DRAWING		
FINISH		SCALE 2:1 SHEET 1 OF 1 REV A		

单击下面可查看定价，库存，交付和生命周期等信息

[>>TE Connectivity\(泰科\)](#)