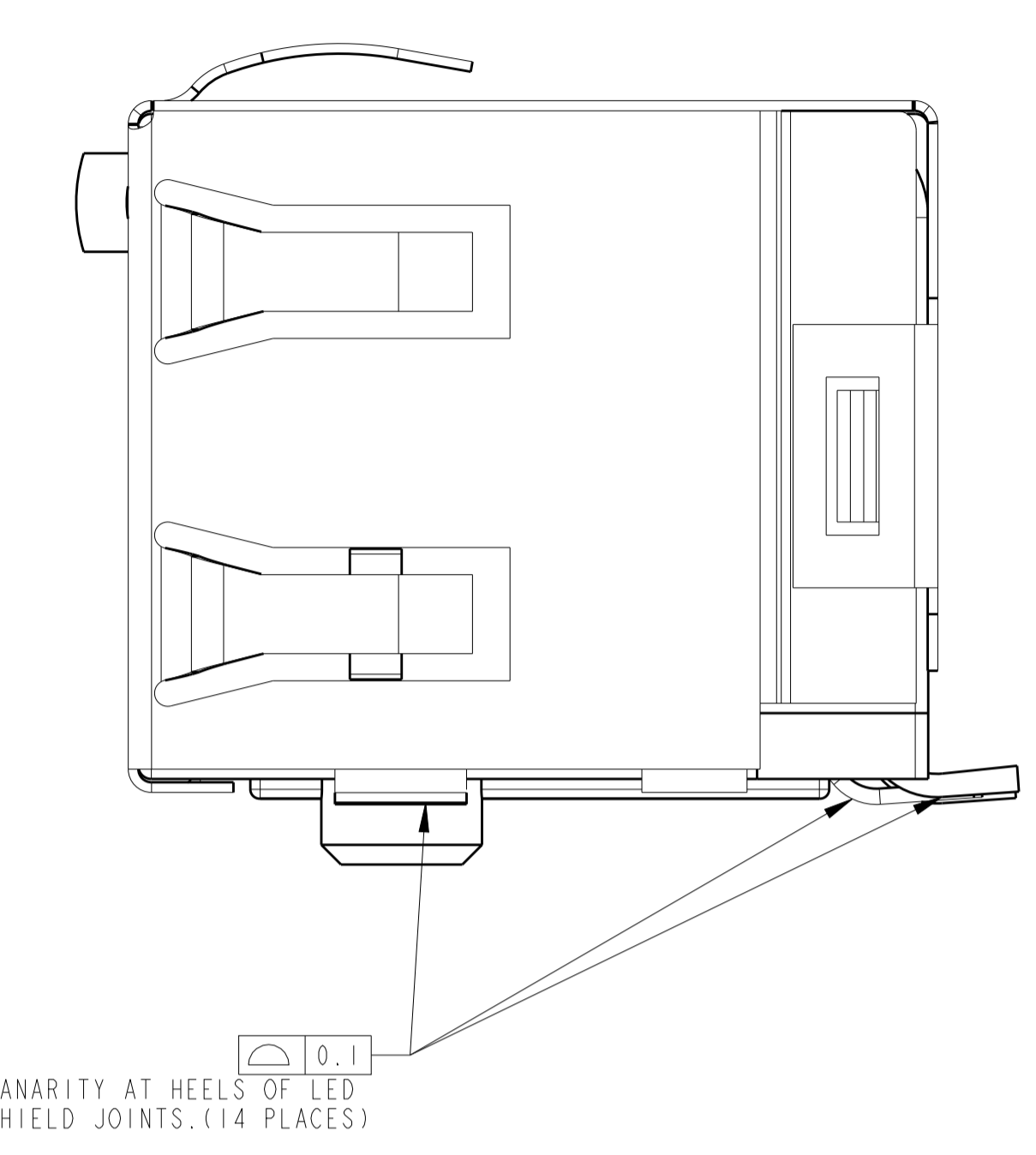
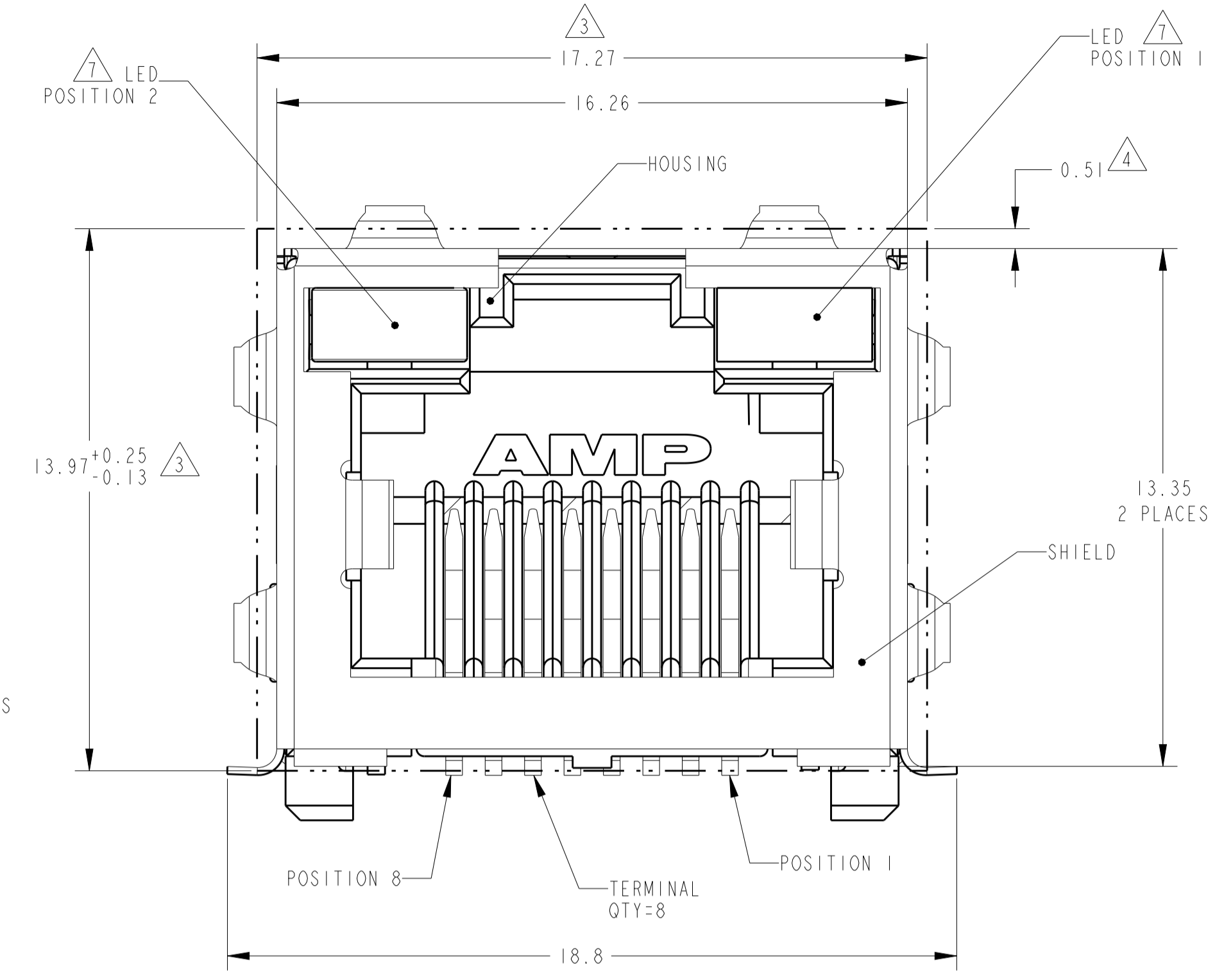
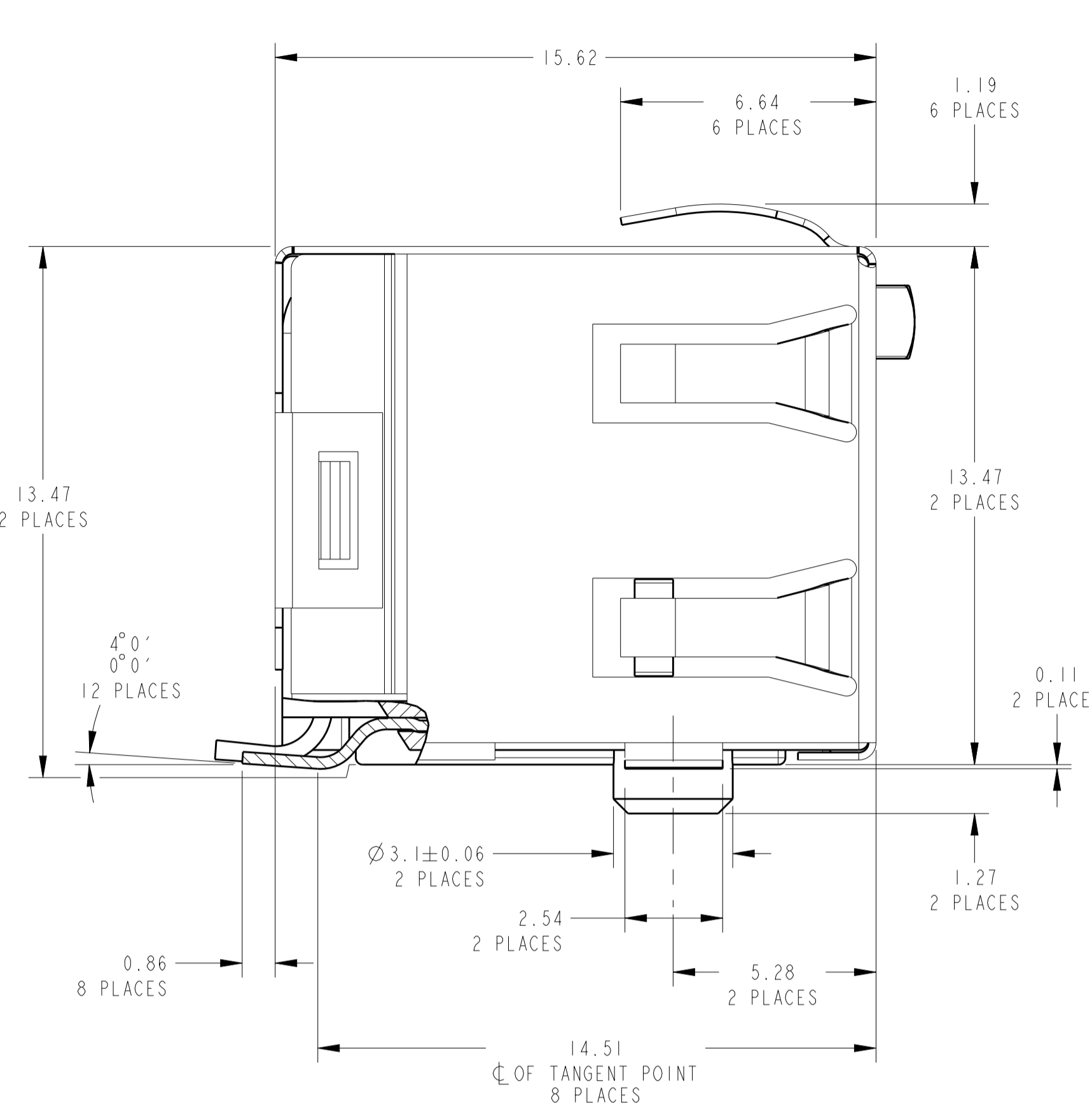
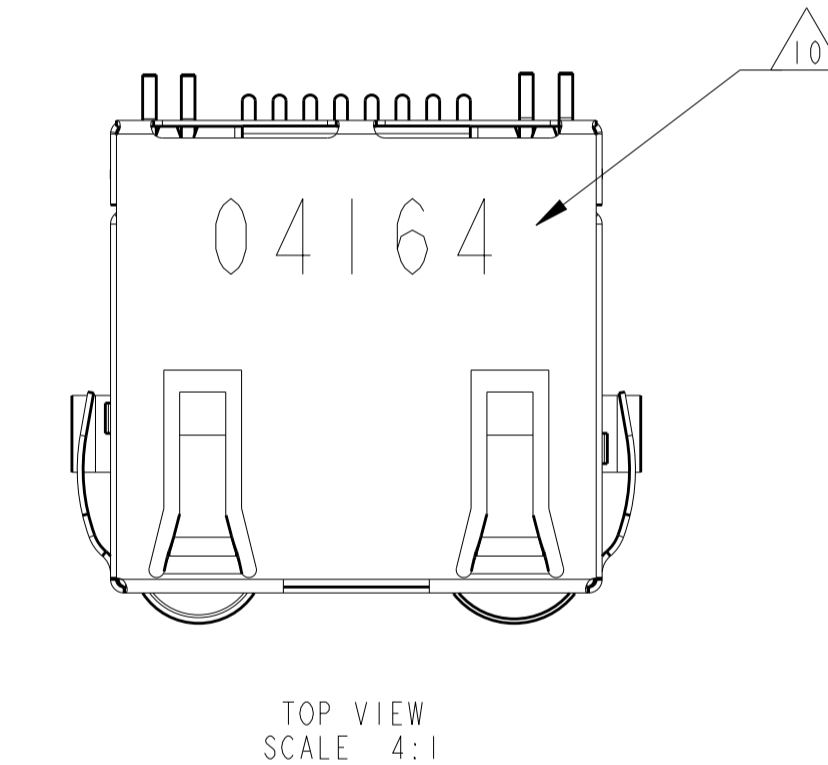
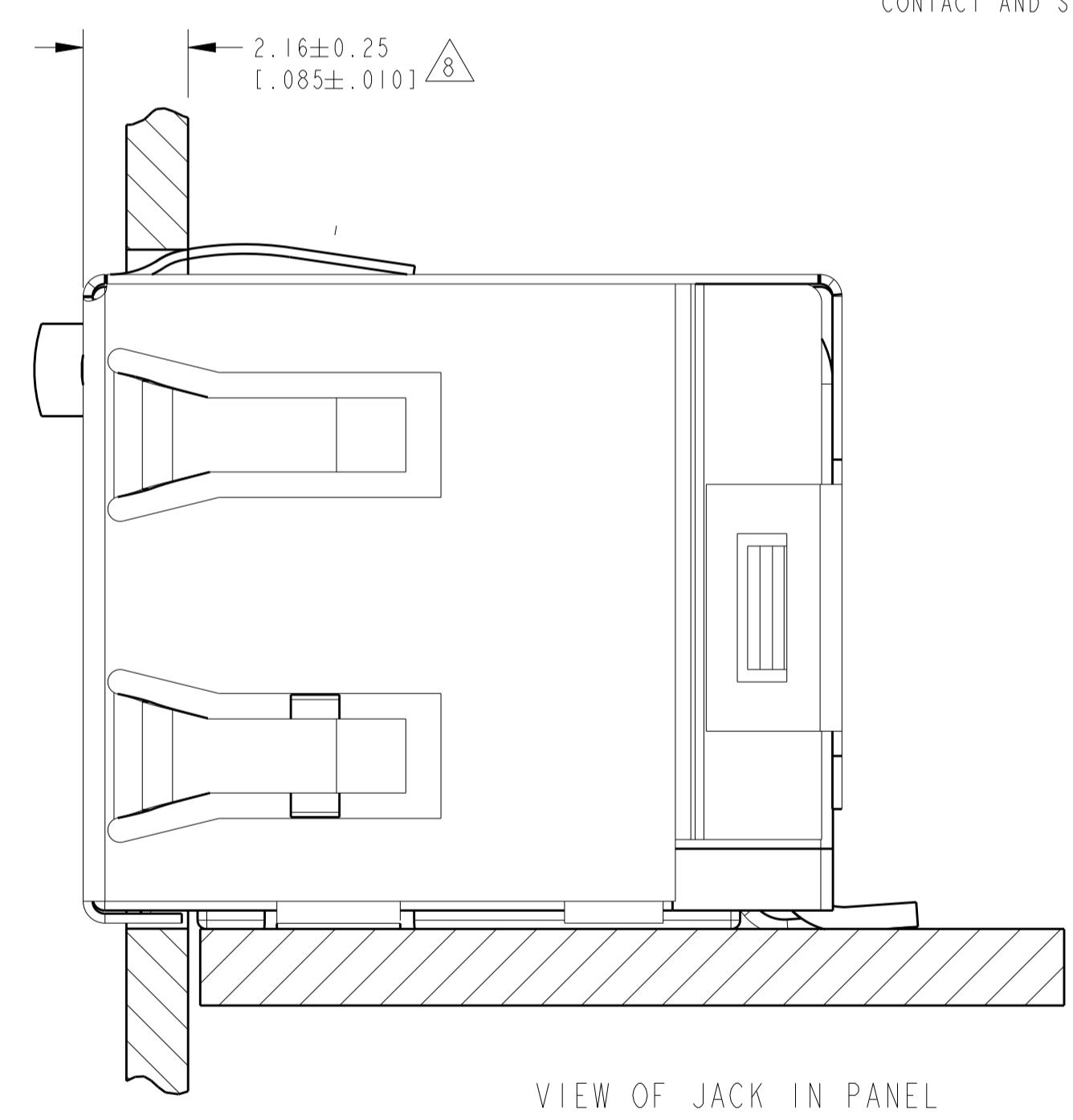
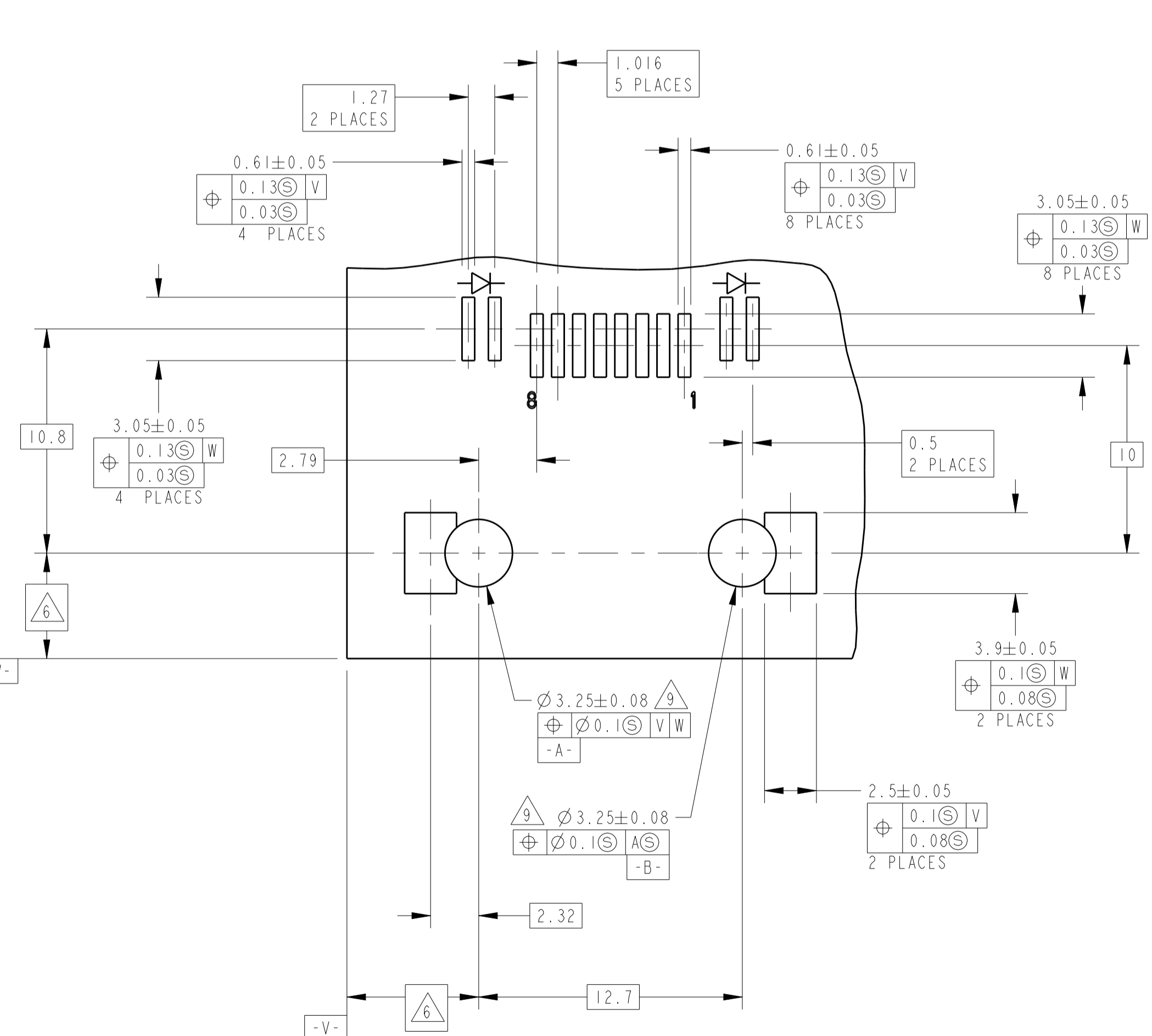


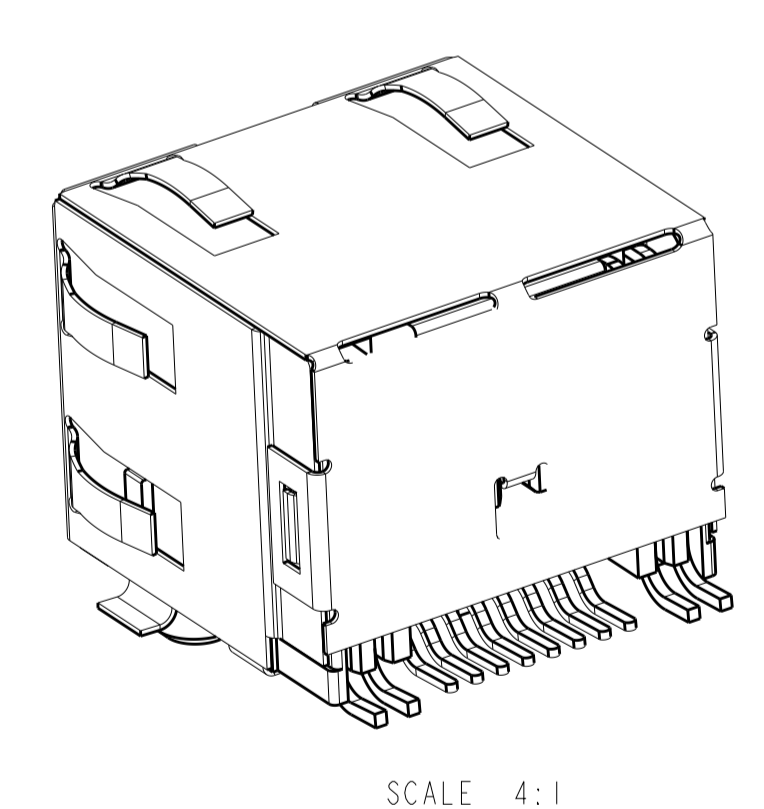
LOC	DIST	REV	DESCRIPTION	DATE	OWN	APP'D
IR	-	A	INITIAL RELEASE	12AUG2012	SS	RRP



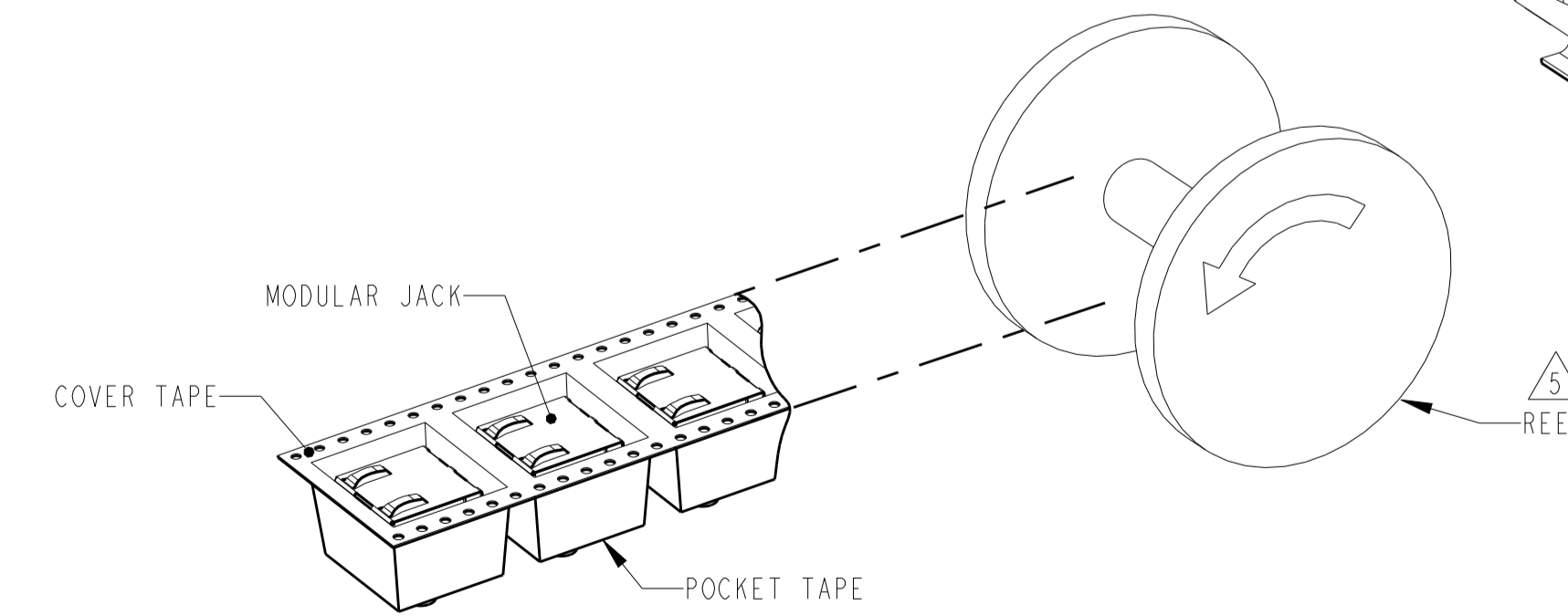
- MATERIAL:
  - HOUSING - HIGH TEMP THERMOPLASTIC - LCP, BLACK, UL94V-0
  - TERMINALS - 0.30 THICK PHOS BRONZE PLATED WITH 3.81µm MINIMUM THICK MATTE TIN IN SOLDER AREA. 1.27µm MINIMUM GOLD IN LOCALIZED PLATE AREA. ENTIRE TERMINAL PLATED WITH 1.27µm MINIMUM THICK NICKEL.
  - SHIELD - 0.196 THICK COPPER ZINC ALLOY PREPLATED WITH 2.03µm-3.81µm THICK MATTE TIN OVER 1.27µm THICK NICKEL.
  - LIGHT EMITTING DIODE (LED) -- DIFFUSED EPOXY
  - LENS, 0.51 X 0.51 (.020 X .020) CARBON STEEL
  - WIREFRAME LEADS PREPLATED WITH 8.89 µm [.000080] THICK Ag OVER 1.02 µm [.000040] THICK Cu OVER 3.56 µm [.000140] THICK Ni OVER 1.02 µm [.000040] Cu UNDERPLATE.
- JACK CAVITY CONFORMS TO FCC RULES AND REGULATIONS PART 68, SUBPART F
- SUGGESTED PANEL OPENING DIMENSIONS. SEE APPLICATION SPEC 114-2154 FOR PANEL THICKNESS AND POSITION RECOMMENDATIONS
- SUGGESTED CLEARANCE BETWEEN TOP OF CONNECTOR AND TOP PANEL OPENING
- PACKAGED: POCKET TAPE & REEL (PER EAI 481 SPECIFICATIONS)
  - POCKET TAPE WIDTH - 44mm
  - POCKET PITCH - 24mm
  - POCKET DEPTH - 16.7mm
  - CLEAR COVER TAPE, PSA
  - CLEAR COVER TAPE TRAILER - 610mm, WRAPPED ON REEL HUB
  - PLASTIC REEL - 381mm DIAMETER
  - PRODUCT QUANTITY - 200 PIECES PER REEL



TOP VIEW SCALE 4:1



SCALE 4:1



SUGGESTED PCB LAYOUT (COMPONENT SIDE)

THIS DRAWING IS A CONTROLLED DOCUMENT.		OWN	12AUG2012	GREEN	GREEN	2178416-1
DIMENSIONS:		CHK	SUDHAKAR	POSITION 2	POSITION 1	PART NUMBER
TOLERANCES UNLESS OTHERWISE SPECIFIED:		CHK	SUDHAKAR	TE Connectivity		
mm		AP'D	RAJENDRA	NAME		
0 PLC	±	PRODUCT SPEC		INVERTED MODULAR JACK ASSEMBLY,		
1 PLC	±0.25	APPLICATION SPEC		1x1, SHIELDED, SURFACE MOUNT,		
2 PLC	±	SIZE	114-6040/114-2154	8 POSITION, RJ45, WITH TWO LED'S		
3 PLC	±	WEIGHT		RESTRICTED TO		
4 PLC	±	Customer Drawing		A1 00779 ©=2178416		
ANGLES	±	SCALE	8:1	SHEET 1 OF 1 REV A		

单击下面可查看定价，库存，交付和生命周期等信息

[>>TE Connectivity\(泰科\)](#)