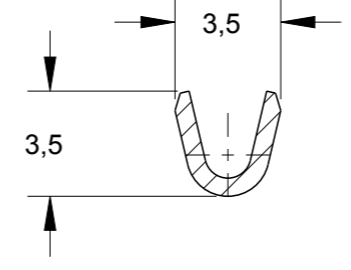
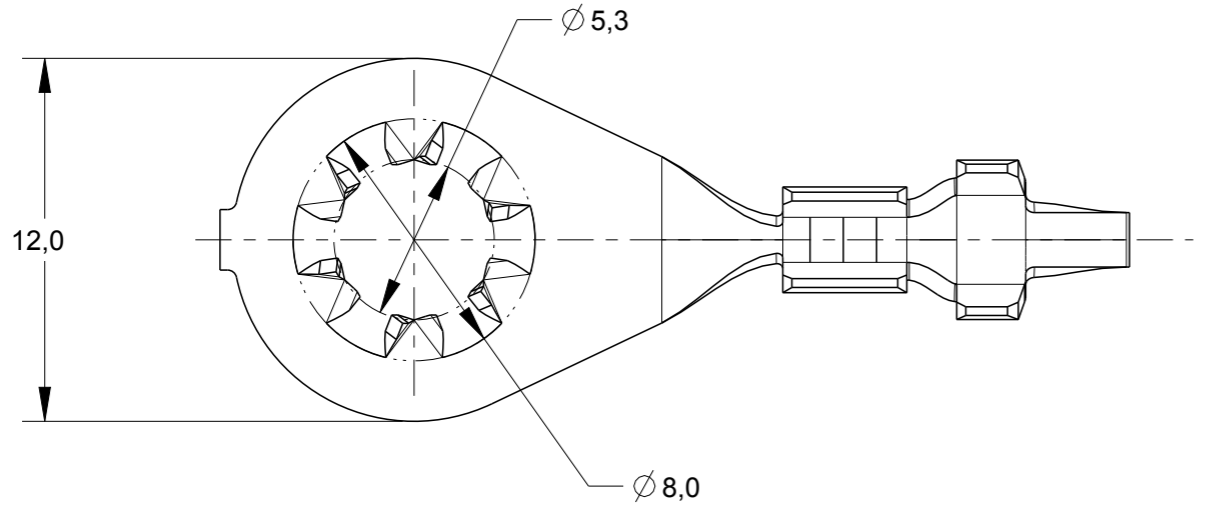
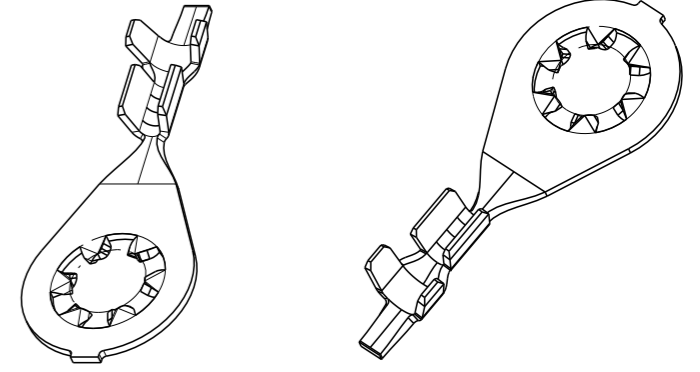


THIS DRAWING IS UNPUBLISHED. RELEASED FOR PUBLICATION 20
 © COPYRIGHT20 BY - ALL RIGHTS RESERVED.

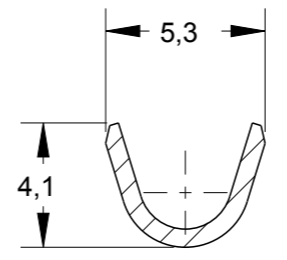
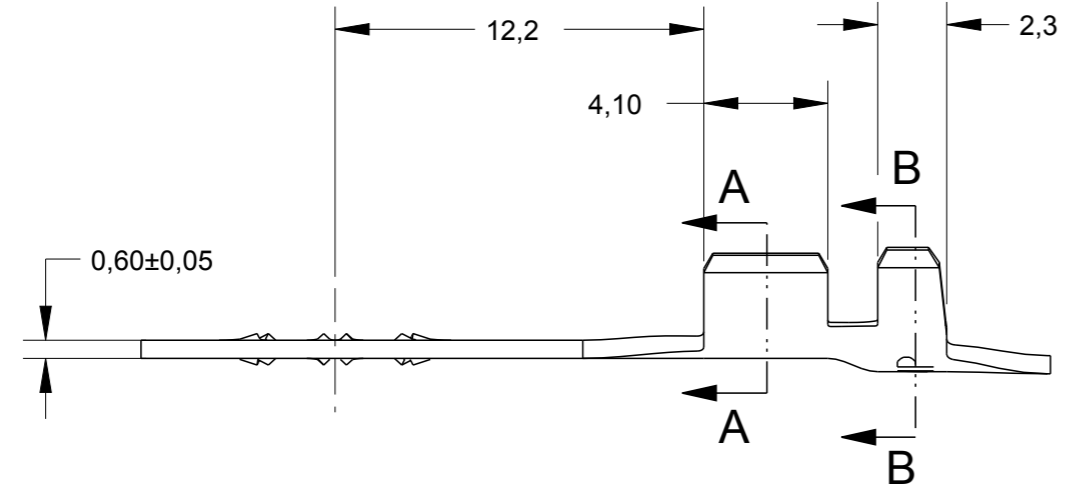
LOC	DIST	REVISIONS				
P	LTR	DESCRIPTION	DATE	DWN	APVD	
-	-	C1	REDESIGNED BY ECO-12-008349	01JUN2012	FC	GOJ



SECTION A-A



PERSPECTIVE VIEW SCALE 2:1



SECTION B-B

WIRE RANGE (mm ²) 0,5 - 1,50	TIM PLATED	BRONZE FOSF. / PHOSP. BR.	626279-4
INSUL/ RANGE (∅ mm) 2,0 - 3,0	PLAIN / NU	BRONZE FOSF. / PHOSP. BR.	626279-3
SURF AREA 50 mm	TIM PLATED	LATÃO / BRASS	626279-2
	PLAIN / NU	LATÃO / BRASS	626279-1
	FINISH	MATERIAL	PART NO

THIS DRAWING IS A CONTROLLED DOCUMENT.		DWN 01JUN2012 F.CHAPELA					
DIMENSIONS: mm		CHK 01JUN2012 J.R.GOLDSCHIDT			NAME RING TONGUE (ANTIROTATIONAL)		
TOLERANCES UNLESS OTHERWISE SPECIFIED:		APVD 01JUN2012 G.OLIVEIRA					
		PRODUCT SPEC	SIZE A3	CAGE CODE 00779	DRAWING NO C-626279C	RESTRICTED TO -	
MATERIAL -		FINISH -	CUSTOMER DRAWING		SCALE 4:1	SHEET 1 OF 1	REV C1



单击下面可查看定价，库存，交付和生命周期等信息

[>>TE Connectivity\(泰科\)](#)